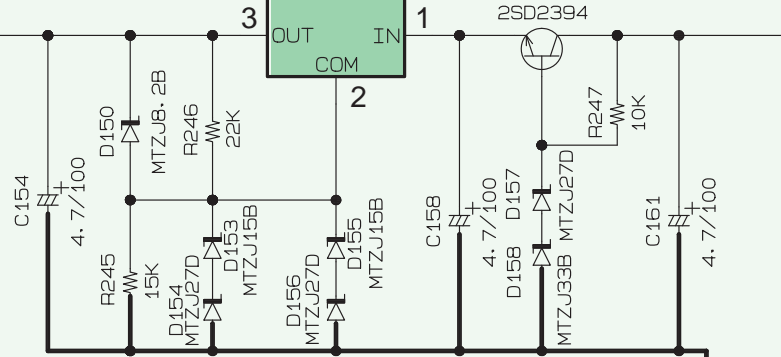


REGULATOR +5V

IC103 NJM7805FA

Q136
2SD2394



REGULATOR +5V

IC104 NJM7805FA

REGULATOR +12V

IC105 NJM7812FA

CN105
M241852

to LAMP

CN103
M2418510

- 1 +21V
- 2 GND
- 3 -21V
- 4 +63V
- 5 LAMP+
- 6 LAMP-
- 7 OFF DETECT
- 8 FAN
- 9 POSISTOR+
- 10 POSISTOR-

to SMPS 2/2-CN104

to FAN

CN104

C157
10/63

C162
1/50
FG1

W102BL
W102RE
W102BE

TE
CN102
VH3P
GND
-B

to SMPS 2/2-