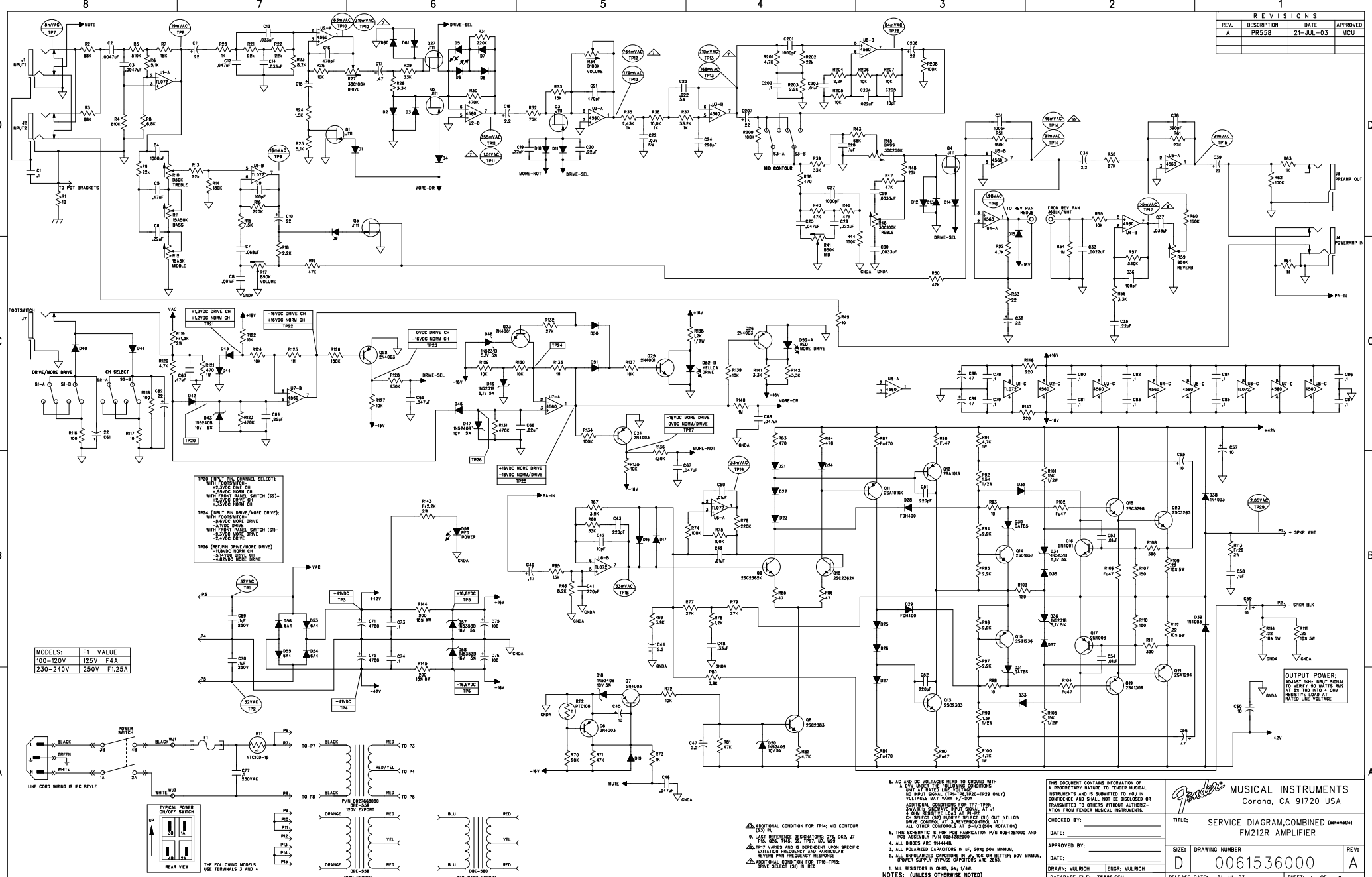
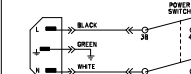


REVISIONS			
REV.	DESCRIPTION	DATE	APPROVED
A	PR558	21-JUL-03	MCU



MODELS:	F1 VALUE
100-120V	125V F4A
230-240V	250V F1.25A



6. AC AND DC VOLTAGES READ TO GROUND WITH A DMM UNDER THE FOLLOWING CONDITIONS:
 (S) IN THE OFF POSITION (POWER OFF)
 (S) IN THE ON POSITION (POWER ON)
 (S) IN THE ON POSITION (POWER ON) WITH THE VOLUME KNOB FULLY OPEN (MAXIMUM)
 (S) IN THE ON POSITION (POWER ON) WITH THE VOLUME KNOB FULLY OPEN (MAXIMUM) AND THE DRIVE SELECT SWITCH SET TO THE DRIVE SELECT POSITION (DRIVE SELECT IN)

7. THIS SCHEMATIC IS FOR P/N FABRICATION P/N 009428000 AND P/N ASSEMBLY P/N 009428000.

8. ALL POLARIZED CAPACITORS IN µF, 50V OR MINIMUM. POWER SUPPLY BYPASS CAPACITORS ARE 200µF.

9. ALL RESISTORS IN OHMS, 5% TOLERANCE (UNLESS OTHERWISE NOTED)

THIS DOCUMENT CONTAINS INFORMATION OF A PROPRIETARY NATURE TO FENDER MUSICAL INSTRUMENTS AND IS SUBMITTED TO YOU IN CONFIDENCE AND SHALL NOT BE DISCLOSED OR TRANSMITTED TO OTHERS WITHOUT AUTHORIZATION FROM FENDER MUSICAL INSTRUMENTS.

CHECKED BY: _____ DATE: _____

APPROVED BY: _____ DATE: _____

DRAWING: MUR/CH (CON: MUR/CH) DATABASE FILE: Z538S.SCH

MUSICAL INSTRUMENTS
 Corona, CA 91720 USA

TITLE: SERVICE DIAGRAM, COMBINED (schematics)
 FM212R AMPLIFIER

SIZE: DRAWING NUMBER
 D 0061536000

RELEASE DATE: 21-JUL-03 SHEET: 1 OF 2