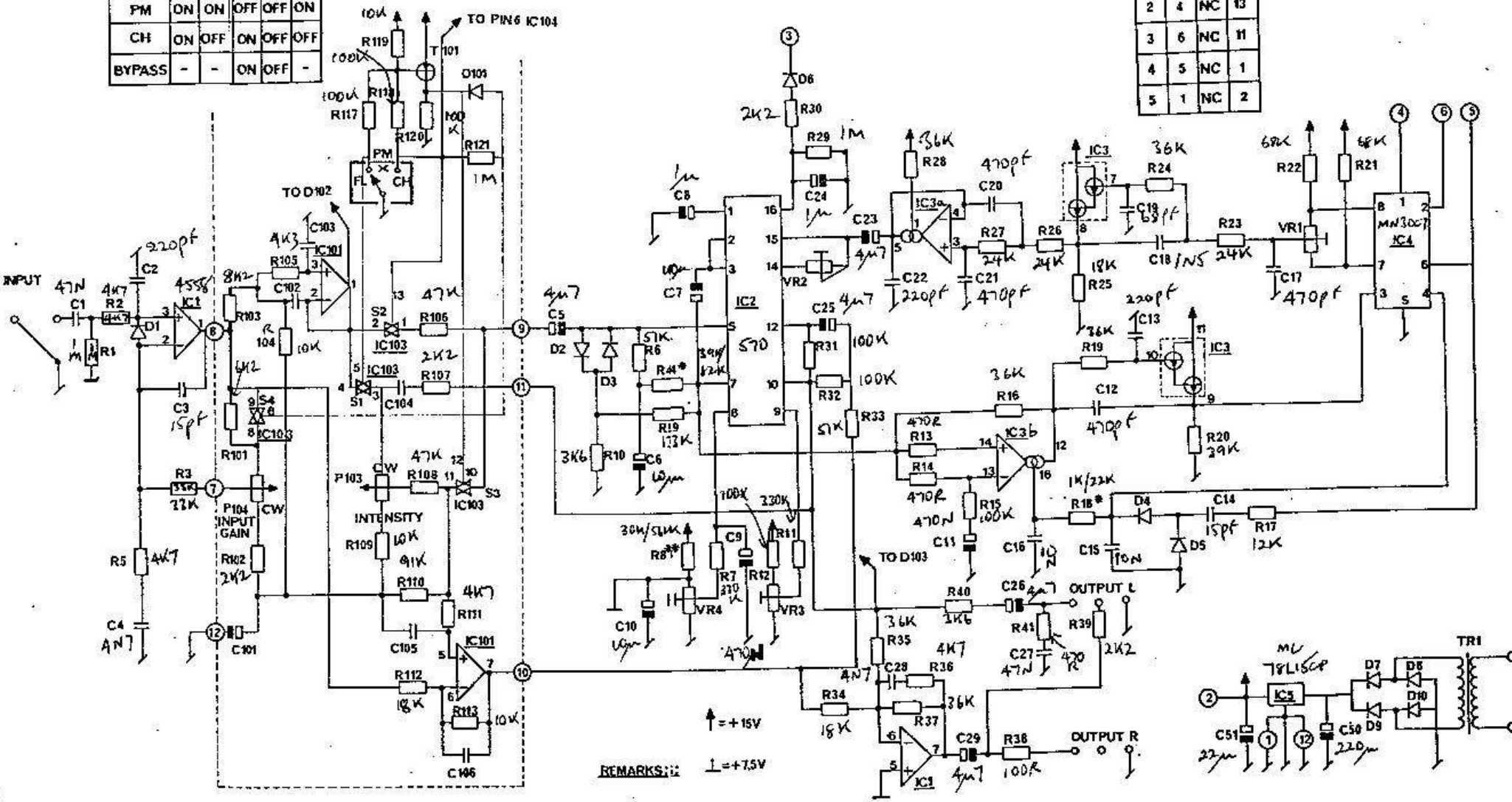


	S1	S2	S3	S4	S5
FL	OFF	ON	ON	ON	ON
PM	ON	ON	OFF	OFF	ON
CH	ON	OFF	ON	OFF	OFF
BYPASS	-	-	ON	OFF	-

IC3 = LM 13600

IC	0V	7.5V	15V
1	4	5	8
2	4	NC	13
3	6	NC	11
4	5	NC	1
5	1	NC	2



↑ = +15V
 ↓ = +7.5V
 ⊥ = 0V

REMARKS: 11

