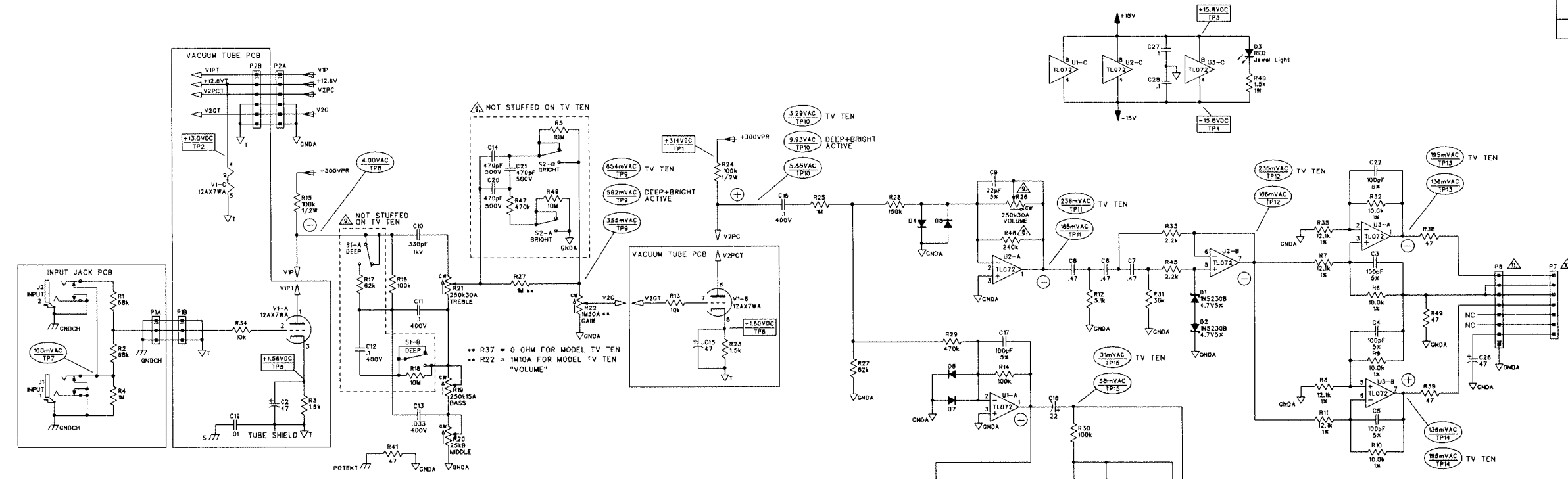


REVISIONS			
REV.	DESCRIPTION	DATE	APPROVED
A	PR807	20-FEB-09	MTG
B	EC4261	22-SEP-09	MTG

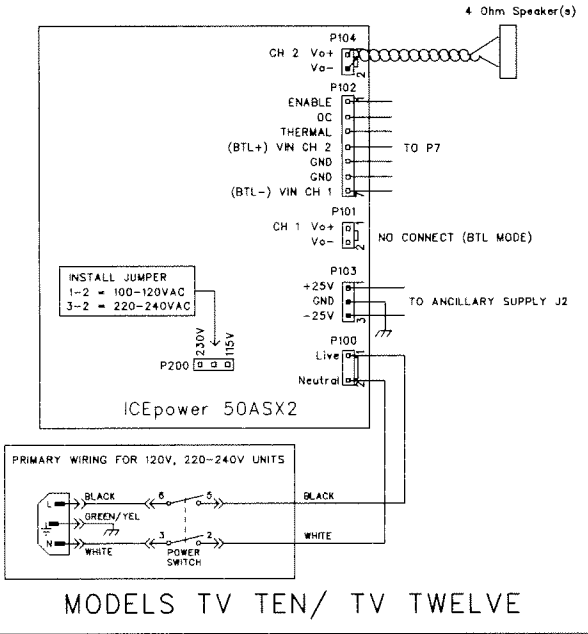


CAUTION: OUTPUT IS NOT GROUND REFERENCED!!! DO NOT GROUND EITHER TERMINAL (I.E. WITH OSCILLOSCOPE PROBE GROUND LEAD) OR UNIT MAY BE DAMAGED. VIEW OUTPUT WITH OSCILLOSCOPE IN DIFFERENTIAL MODE (RECOMMENDED) OR FLOAT OSCILLOSCOPE FROM EARTH GROUND.

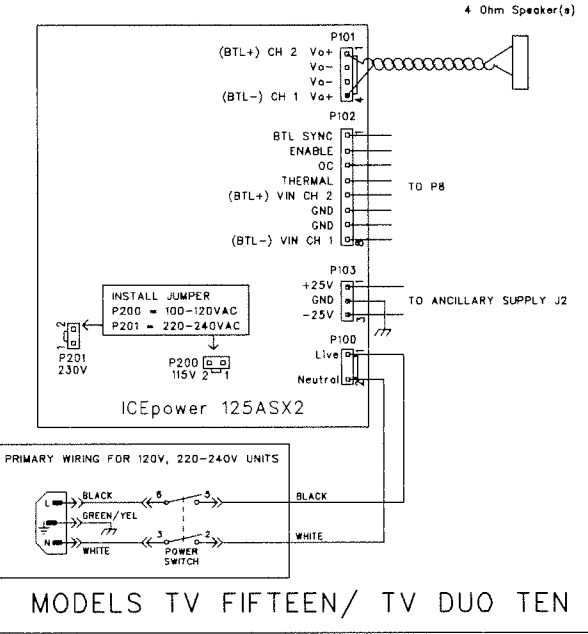
NOTE: ICEPower MODULES USE SWITCHING TECHNOLOGY RESULTING IN A HIGH FREQUENCY CARRIER WAVE (>100kHz) AT THE OUTPUT. RECOMMEND USING A LOW PASS FILTER SUCH AS THE AP AUX-0025 SWITCHING AMPLIFIER MEASUREMENT FILTER FOR OPTIMUM VIEWING AND MEASUREMENT OF THE OUTPUT SIGNAL.

OUTPUT POWER TEST: ⚠
 UNIT AT RATED LINE VOLTAGE
 4 OHM RESISTIVE LOAD CONNECTED TO P104
 TV TEN: VOLUME AT 50%, TONES AT MAX
 TV TWELVE: GAIN AT 50%, TONES AND VOLUME AT MAX
 DEEP AND BRIGHT SWITCHES OUT
 ADJUST 1kHz SINEWAVE INPUT SIGNAL AT J1 TO VERIFY:
 150W (24.29VRMS) < 3x T.H.D. INTO 4 OHM LOAD.
 *IF LEFT AT MAXIMUM POWER FOR A LONG TIME
 THERMAL PROTECTION WILL CAUSE UNIT TO SHUTDOWN.

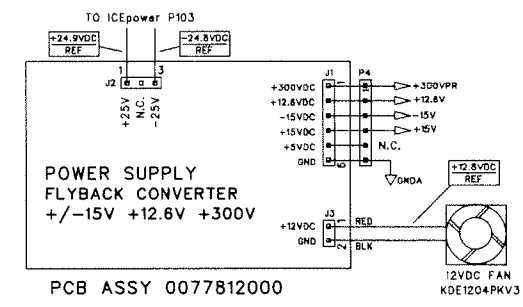
OUTPUT POWER TEST: ⚠
 UNIT AT RATED LINE VOLTAGE
 4 OHM RESISTIVE LOAD CONNECTED TO P101
 GAIN AT 50%, TONES AND VOLUME AT MAX
 DEEP AND BRIGHT SWITCHES OUT
 ADJUST 1kHz SINEWAVE INPUT SIGNAL AT J1 TO VERIFY:
 350W (37.42VRMS) < 3x T.H.D. INTO 4 OHM LOAD.
 *IF LEFT AT MAXIMUM POWER FOR A LONG TIME
 THERMAL PROTECTION WILL CAUSE UNIT TO SHUTDOWN.



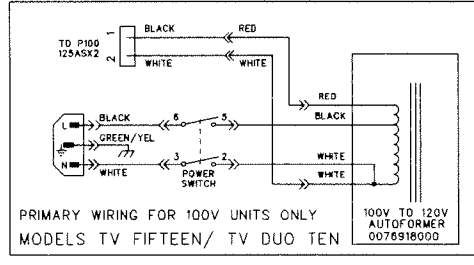
MODELS TV TEN/ TV TWELVE



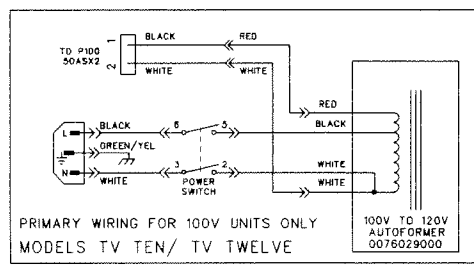
MODELS TV FIFTEEN/ TV DUO TEN



POWER SUPPLY FLYBACK CONVERTER +/-15V +12.6V +300V
 PCB ASSY 0077812000



PRIMARY WIRING FOR 100V UNITS ONLY
 MODELS TV FIFTEEN/ TV DUO TEN



PRIMARY WIRING FOR 100V UNITS ONLY
 MODELS TV TEN/ TV TWELVE

- ⚠ STUFF P8 HEADER FOR MODELS TV FIFTEEN AND TV DUO TEN.
- ⚠ STUFF P7 HEADER FOR MODELS TV TEN AND TV TWELVE.
- ⚠ COMPONENTS ENCLOSED IN DASHES AND R26 NOT STUFFED ON MODEL TV TEN.
- ⚠ R48 STUFFED ON MODEL TV TEN ONLY.
- 7 AC AND DC VOLTAGES ARE READ TO GROUND WITH A DVM UNDER THE FOLLOWING CONDITIONS:
 UNIT AT RATED LINE VOLTAGE
 ALL PCBs INTERCONNECTED WITH RIBBON CABLES
 NO SPEAKER LOAD CONNECTED
 ALL CONTROLS AT 12 O'CLOCK (50% ROTATION)
 DEEP AND BRIGHT SWITCHES OUT (EXCEPT TV TEN)
 NO INPUT SIGNAL FOR TPI-8
 FOR TPI-8, CONNECT A 100mV RMS, 1kHz SINEWAVE INPUT SIGNAL AT J1
 VOLTAGES MAY VARY BY +/-20%.
- 6. LAST REFERENCE DESIGNATORS: C28, D7, J3, P8, R51, S3, TPI7, U3, V1, NOT USED: P8-8
- 5. THIS SCHEMATIC IS FOR PCB FABRICATION P/N 0077108000 (BASSMAN TV SERIES) AND PCB ASSEMBLIES P/N 0077107000 (TV TWELVE), 0077109000 (TV TEN), AND 0078632000 (TV FIFTEEN/DUO TEN).
- 4. ALL DIODES ARE 1N4448.
- 3. ALL POLARIZED CAPACITORS IN uF, 20%; 50V MINIMUM.
- 2. ALL UNPOLARIZED CAPACITORS IN uF, 10% OR BETTER; 50V MINIMUM. (POWER SUPPLY BYPASS CAPACITORS ARE 20%).
- 1. ALL RESISTORS IN OHMS, 5%; 1/4W.

NOTES: (UNLESS OTHERWISE NOTED)

THIS DOCUMENT CONTAINS INFORMATION OF A PROPRIETARY NATURE TO FENDER MUSICAL INSTRUMENTS AND IS SUBMITTED TO YOU IN CONFIDENCE AND SHALL NOT BE DISCLOSED OR TRANSMITTED TO OTHERS WITHOUT AUTHORIZATION FROM FENDER MUSICAL INSTRUMENTS.

Fender MUSICAL INSTRUMENTS
 Corona, CA U.S.A.

CHECKED BY: *[Signature]*
 DATE: 9/24/09
 APPROVED BY: *[Signature]*
 DATE: 4-24-09
 DRAWING: GALLAGHER EMGR. GALLAGHER
 DATABASE FILE: Z80751.SCH

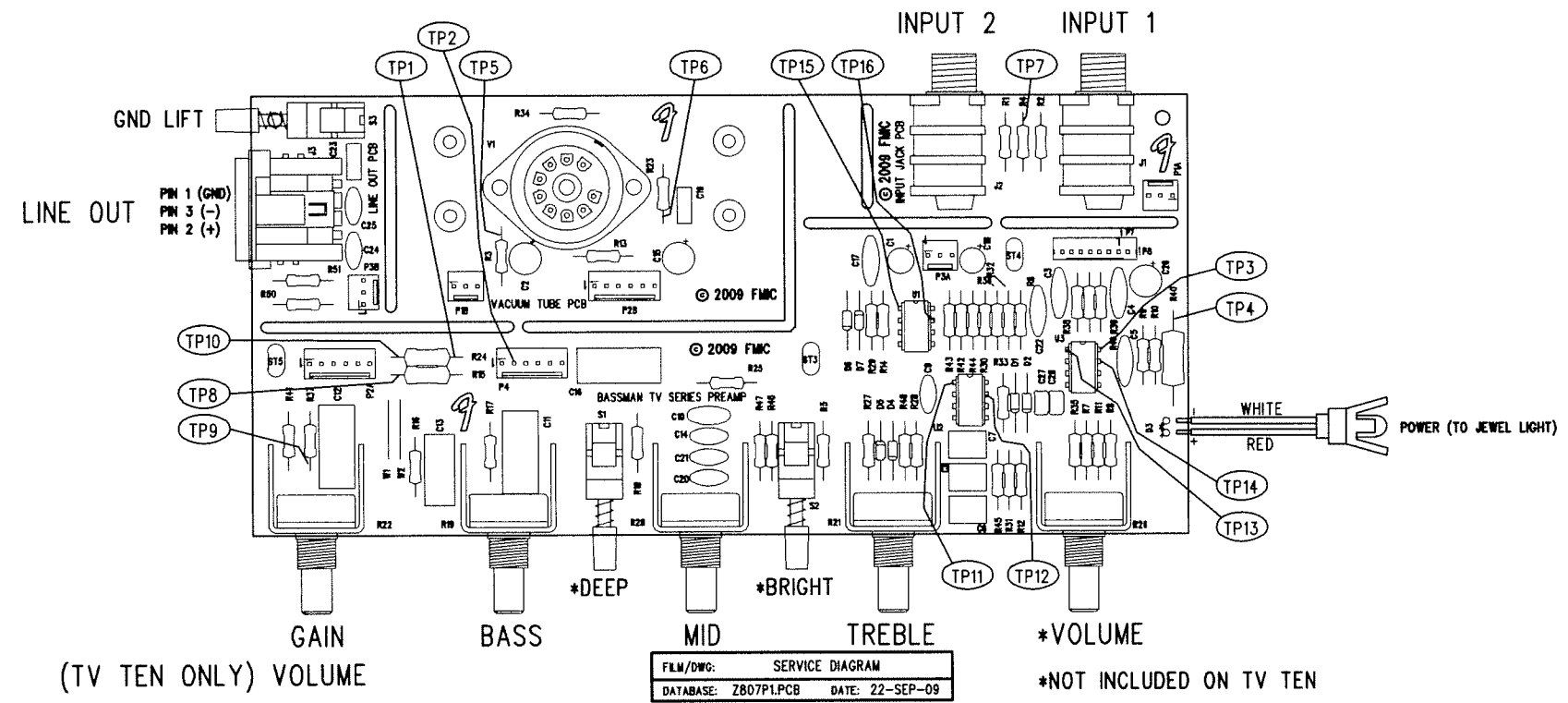
TITLE: SERVICE DIAGRAM, COMBINED (schematic)
 BASSMAN TV SERIES
 SIZE: DRAWING NUMBER: 0077108000
 REV. B
 RELEASE DATE: 20-FEB-09 SHEET: 1 OF 2

8 | 7 | 6 | 5 | 4 | 3 | 2 | 1

REVISIONS			
REV.	DESCRIPTION	DATE	APPROVED
A	PR807	20-FEB-09	MTG
B	EC 4261	22-SEP-09	MTG

D
C
B
A

D
C
B
A



FILM/DWG: SERVICE DIAGRAM
 DATABASE: Z807P1.PCB DATE: 22-SEP-09

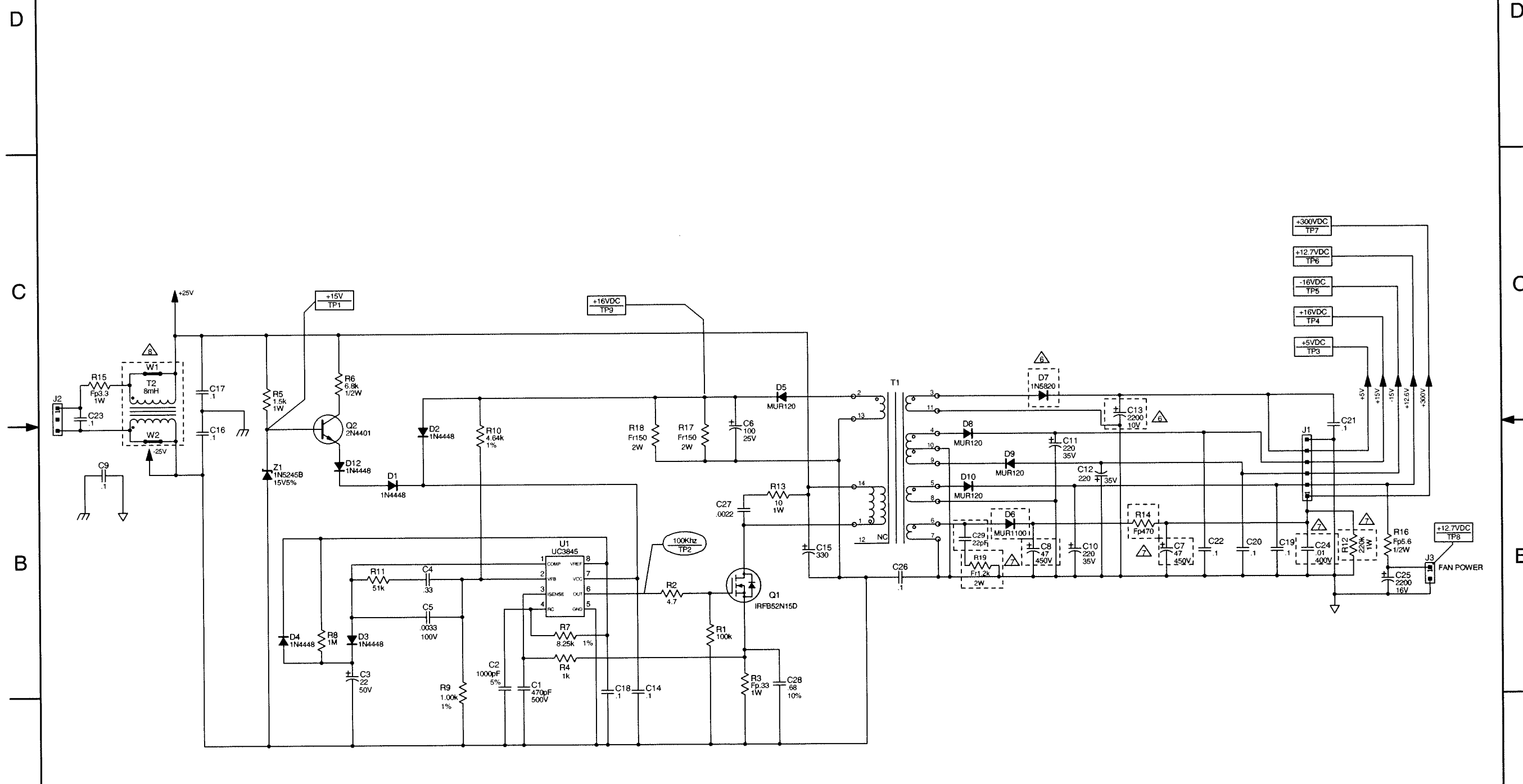
*NOT INCLUDED ON TV TEN

1. SEE SHEET 1 FOR TEST CONDITIONS, TEST POINT VALUES, AND COMPONENT STUFFING DIFFERENCES BETWEEN MODELS.
 NOTES: (UNLESS OTHERWISE NOTED)

THIS DOCUMENT CONTAINS INFORMATION OF A PROPRIETARY NATURE TO FENDER MUSICAL INSTRUMENTS AND IS SUBMITTED TO YOU IN CONFIDENCE AND SHALL NOT BE DISCLOSED OR TRANSMITTED TO OTHERS WITHOUT AUTHORIZATION FROM FENDER MUSICAL INSTRUMENTS.		MUSICAL INSTRUMENTS Corona, CA U.S.A.	
CHECKED BY: <u>HL</u> DATE: <u>9/24/09</u>		TITLE: SERVICE DIAGRAM, COMBINED BASSMAN TV SERIES	
APPROVED BY: <u>MTG</u> DATE: <u>9-24-09</u>		SIZE: C	DRAWING NUMBER: 0077108000
DRAWN: <u>Hon Le/del</u> ENGR: <u>M. Gallagher</u>		RELEASE DATE: 20-FEB-09	REV. B
DATABASE FILE: Z807P1.PCB		SHEET 2 OF 2	

8 | 7 | 6 | 5 | 4 | 3 | 2 | 1

REVISIONS			
REV.	DESCRIPTION	DATE	APPROVED
A	PR807	18-FEB-09	LEL
B	EC4098 & EC4206	28-JUL-09	LEL

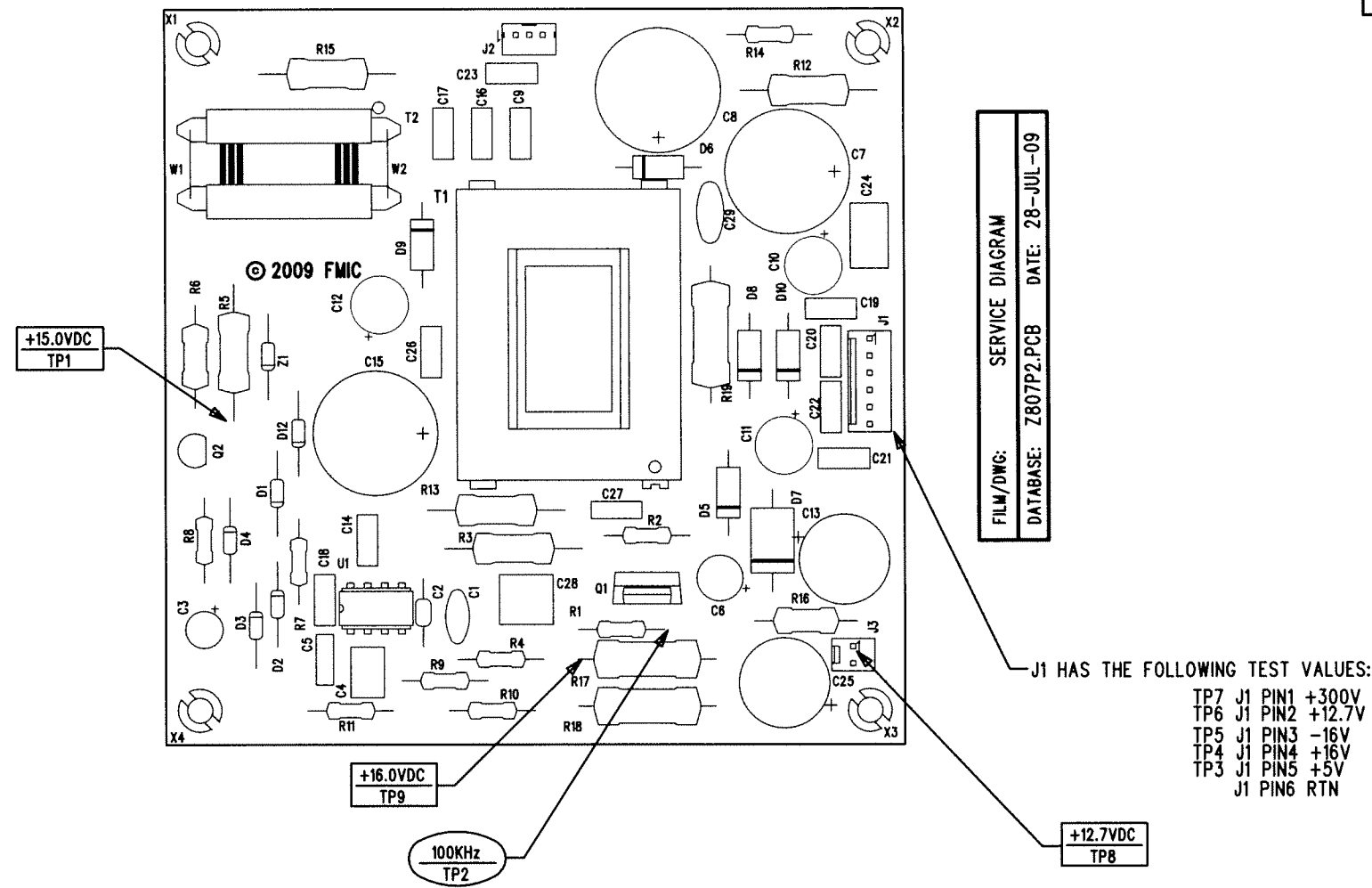


- 10. FOR TEST CONDITIONS SEE TEST PLAN 0078633000.
- 9. TP3-7 TAKEN WITH RESPECT TO J1-6.
ALL OTHERS TAKEN WITH RESPECT TO J2-3.
- △2 NOT STUFFED. REPLACED BY JUMPERS W1,W2.
- △6, C7, C8, C24, R12, R14, R19 and C29 NOT STUFFED FOR 0077814000.
- △7, C13 NOT STUFFED FOR 0077812000.
- 5. THIS SCHEMATIC IS FOR PCB FABRICATION P/N 0077815000 AND PCB ASSEMBLY P/N 0077812000, 0077813000 AND 0077814000.
- 4. ALL DIODES ARE 1N4448.
- 3. ALL POLARIZED CAPACITORS IN µF, 20%; 50V MINIMUM.
- 2. ALL UNPOLARIZED CAPACITORS IN µF, 10% OR BETTER; 50V MINIMUM. (POWER SUPPLY BYPASS CAPACITORS ARE 20%).
- 1. ALL RESISTORS IN OHMS, 5%, 1/4W.


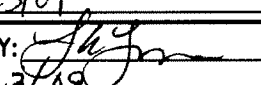
NOTES: (UNLESS OTHERWISE NOTED)

THIS DOCUMENT CONTAINS INFORMATION OF A PROPRIETARY NATURE TO FENDER MUSICAL INSTRUMENTS AND IS SUBMITTED TO YOU IN CONFIDENCE AND SHALL NOT BE DISCLOSED OR TRANSMITTED TO OTHERS WITHOUT AUTHORIZATION FROM FENDER MUSICAL INSTRUMENTS.		MUSICAL INSTRUMENTS Corona, CA U.S.A.	
CHECKED BY: <u>MTG</u> DATE: <u>9/23/09</u>		TITLE: SERVICE DIAGRAM, COMBINED (schematic) ANCILLARY FLYBACK CONVERTER	
APPROVED BY: <u>[Signature]</u> DATE: <u>9/23/09</u>		SIZE: C	DRAWING NUMBER: 0077816000
DRAWN: PK CORBIN ENGR: L. LORENZEN		REV. B	SHEET: 1 OF 2
DATABASE FILE: Z907S2 SCH		RELEASE DATE: 18-FEB-09	

REVISIONS			
REV.	DESCRIPTION	DATE	APPROVED
A	PR807	20-FEB-09	L.E.L.
B	EC4098 & EC4206	03-AUG-09	L.E.L.



1. SEE SHEET 1 FOR NOTES AND TEST CONDITIONS.
 NOTES: (UNLESS OTHERWISE NOTED)

THIS DOCUMENT CONTAINS INFORMATION OF A PROPRIETARY NATURE TO FENDER MUSICAL INSTRUMENTS AND IS SUBMITTED TO YOU IN CONFIDENCE AND SHALL NOT BE DISCLOSED OR TRANSMITTED TO OTHERS WITHOUT AUTHORIZATION FROM FENDER MUSICAL INSTRUMENTS.		 MUSICAL INSTRUMENTS Corona, CA U.S.A.	
CHECKED BY: <u>MTG</u>		TITLE: SERVICE DIAGRAM, COMBINED (PCB assy)	
DATE: <u>9/23/09</u>		ANCILLARY FLYBACK CONVERTER	
APPROVED BY: 		SIZE	DRAWING NUMBER
DATE: <u>9/23/09</u>		B	0077816000
DRAWN: PK CORBIN	ENGR: L LORENZEN	REV.	B
DATABASE FILE: Z807P2.PCB		RELEASE DATE: 20-FEB-09	SHEET 2 OF 2