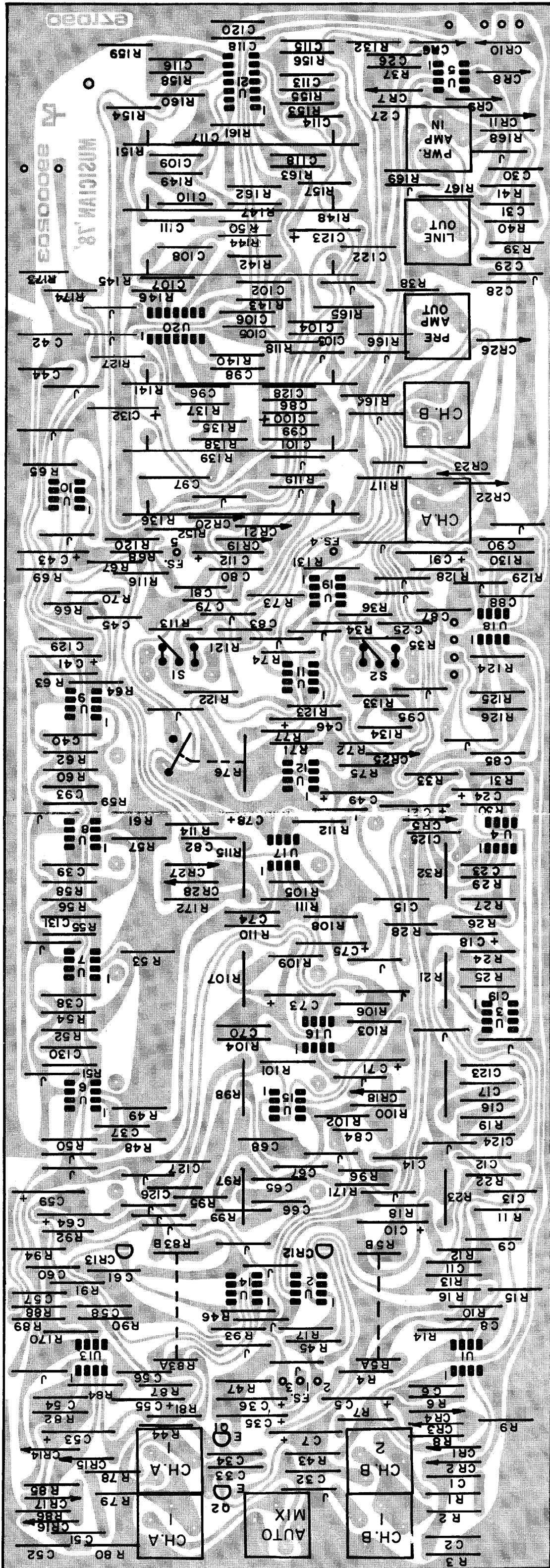


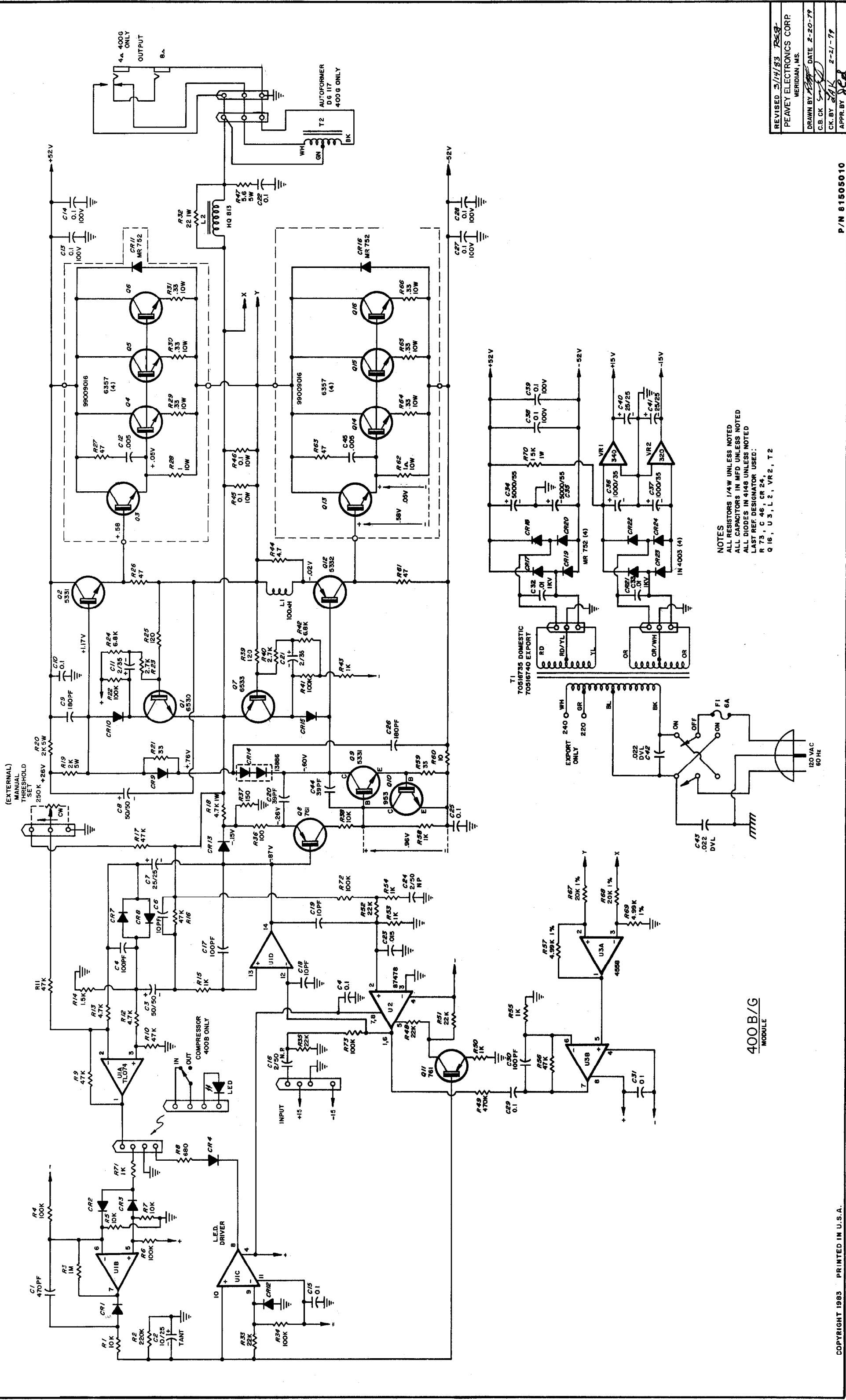
NOTES:  
 ALL POTS ARE LINEAR UNLESS NOTED  
 ALL RESISTORS 1/4W UNLESS NOTED  
 ALL CAPACITORS IN MFD UNLESS NOTED  
 LAST REF. DESIGNATOR USED  
 R 174 C 156 CR 28  
 Q 2 U21 52

REVISED 7/16/79  
 PEAVEY ELECTRONICS CORP.  
 MERIDAN, MS.  
 DRAWN BY: [Signature]  
 CK. BY: [Signature]  
 DATE: 2-22-77  
 APPR. BY: [Signature]

**MUSICIAN**  
 MARK III SERIES



MUSICIAN



NOTES  
 ALL RESISTORS 1/4W UNLESS NOTED  
 ALL CAPACITORS IN MFD UNLESS NOTED  
 ALL DIODES IN 4148 UNLESS NOTED  
 LAST REF DESIGNATOR USED:  
 R 73, C 46, CR 24,  
 Q 16, U 3, L 2, VR 2, T 2

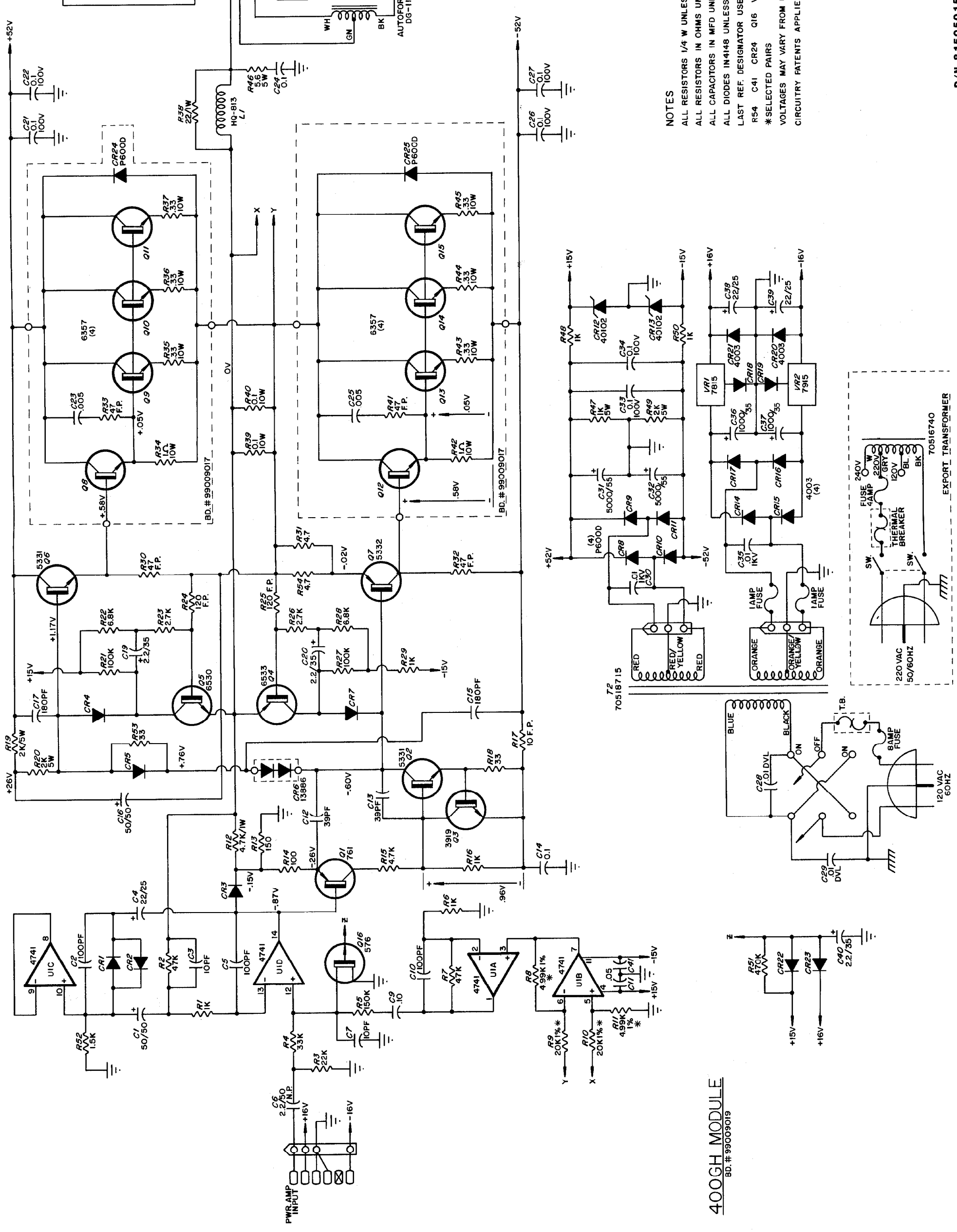
400 B/G  
 MODULE

REVISED 3/14/83 RES-3  
 PEAVEY ELECTRONICS CORP  
 MERIDIAN, MS.  
 DRAWN BY [Signature] DATE 2-20-79  
 C.B. CK [Signature]  
 CK BY [Signature] 2-21-79  
 APPR BY [Signature]

P/N 81505010

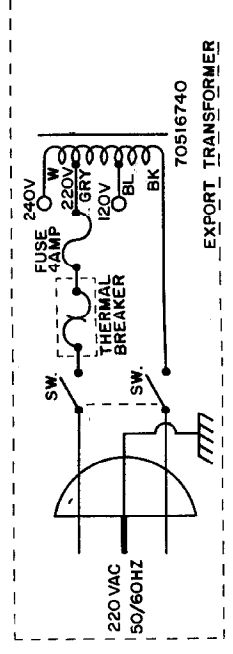
COPYRIGHT 1983 PRINTED IN U.S.A.





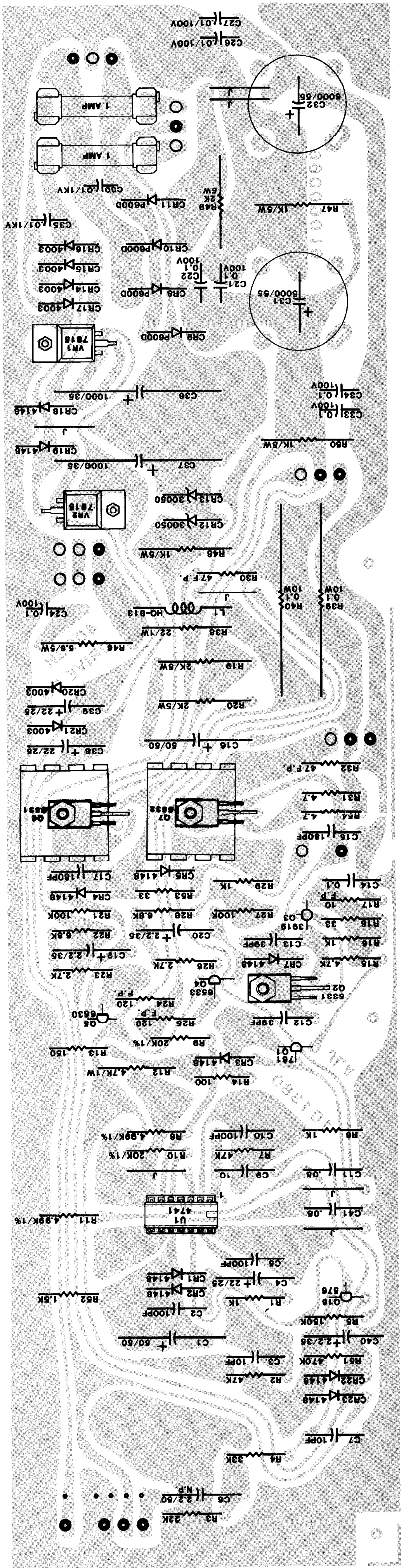
**400GH MODULE**  
BD.#99009019

**NOTES**  
 ALL RESISTORS 1/4 W UNLESS NOTED  
 ALL RESISTORS IN OHMS UNLESS NOTED  
 ALL CAPACITORS IN MFD UNLESS NOTED  
 LAST REF. DESIGNATOR USED:  
 R54 C41 CR24 Q16 VR2 U1 T2  
 \*SELECTED PAIRS  
 VOLTAGES MAY VARY FROM UNIT TO UNIT  
 CIRCUITRY PATENTS APPLIED FOR AND PENDING

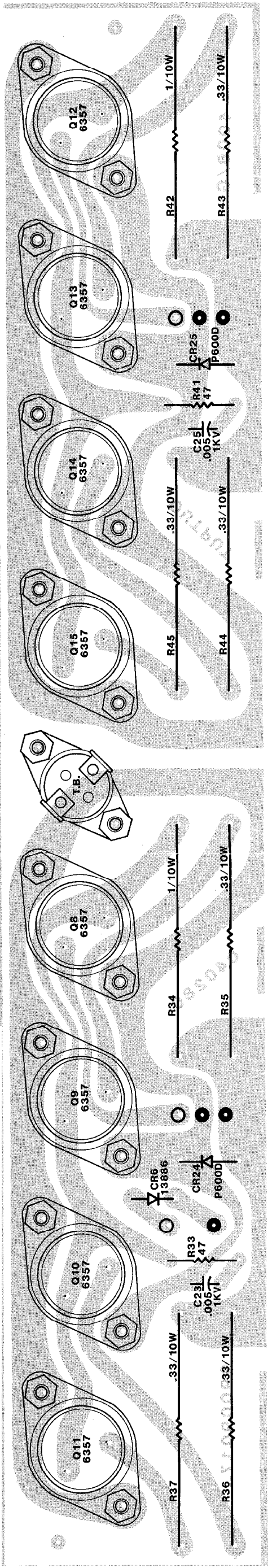


REVISED 3/14/83	REB
PEAVEY ELECTRONICS CORP. MERIDIAN, MS.	
DRAWN BY REB	DATE 1-22-81
C.B. CHECK REB	
CHECK BY JCO	
APPR. BY JCO	

P/N 81505015



400GH DRIVE BD.



400GH OUTPUT BD.