

NOTE: HV=
29V OUTPUT for 100W UNIT
19V OUTPUT for 20/40W UNITS

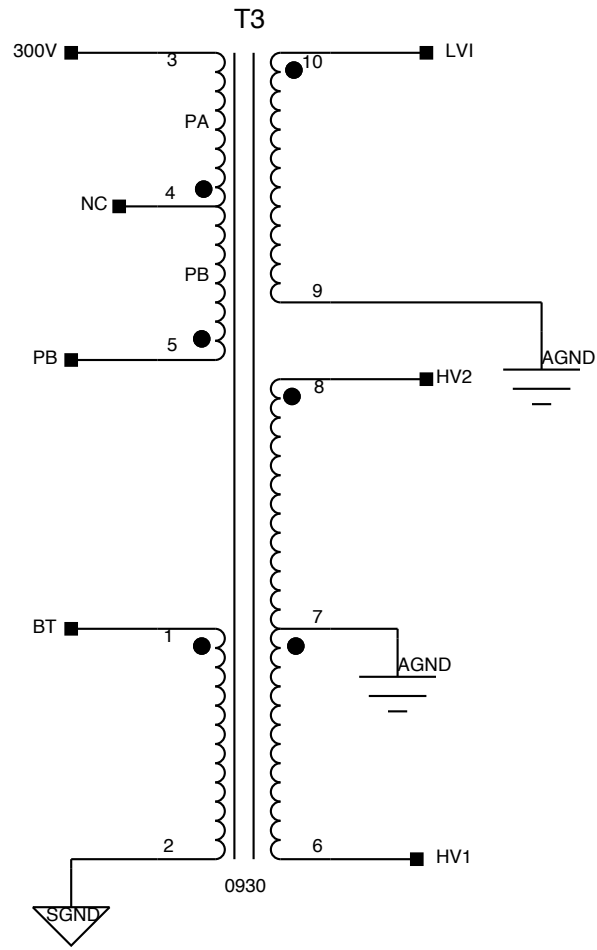
PEAVEY
Peavey Electronics Corp.
P. O. Box 2898
Meridian, MS 39301

Title: **VIP_PS_ALL**

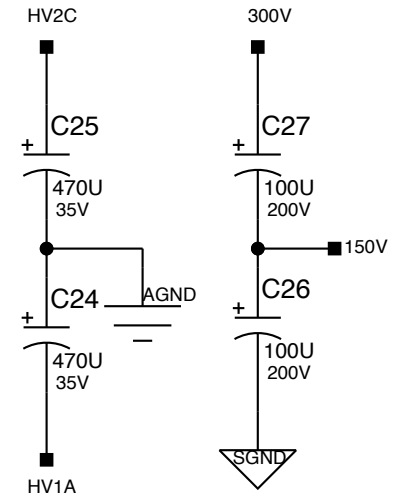
Sheet Title:

C	Sheet 1 of 2	Date: 3-13-2013_16:17
---	--------------	-----------------------

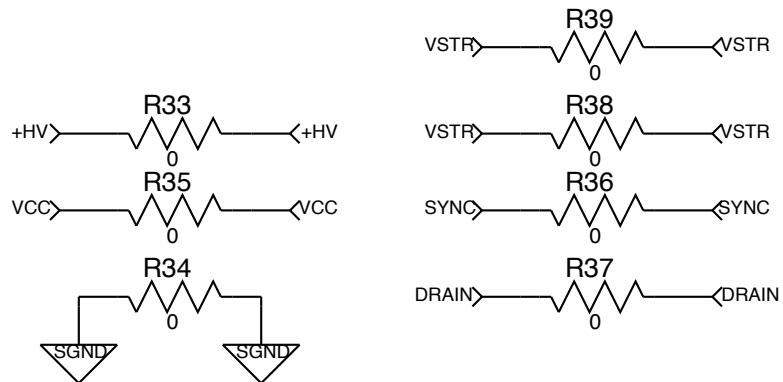
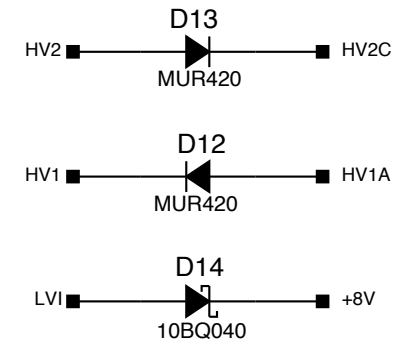
20W XFMR



20/40W CAPS



20/40W DIODES



Peavey Electronics Corp.
 P. O. Box 2898
 Meridian, MS 39301

Product: **VIP_PS_ALL**

Board:

Title: **BD#**

A Sheet 2 of 2 Date: 3-13-2013_16:17

FOR ASSEMBLY 32203060F DO NOT INSTALL				
C14	C15	C8	C9	D10
D11		D8	T1	J1
HW4	HW5			

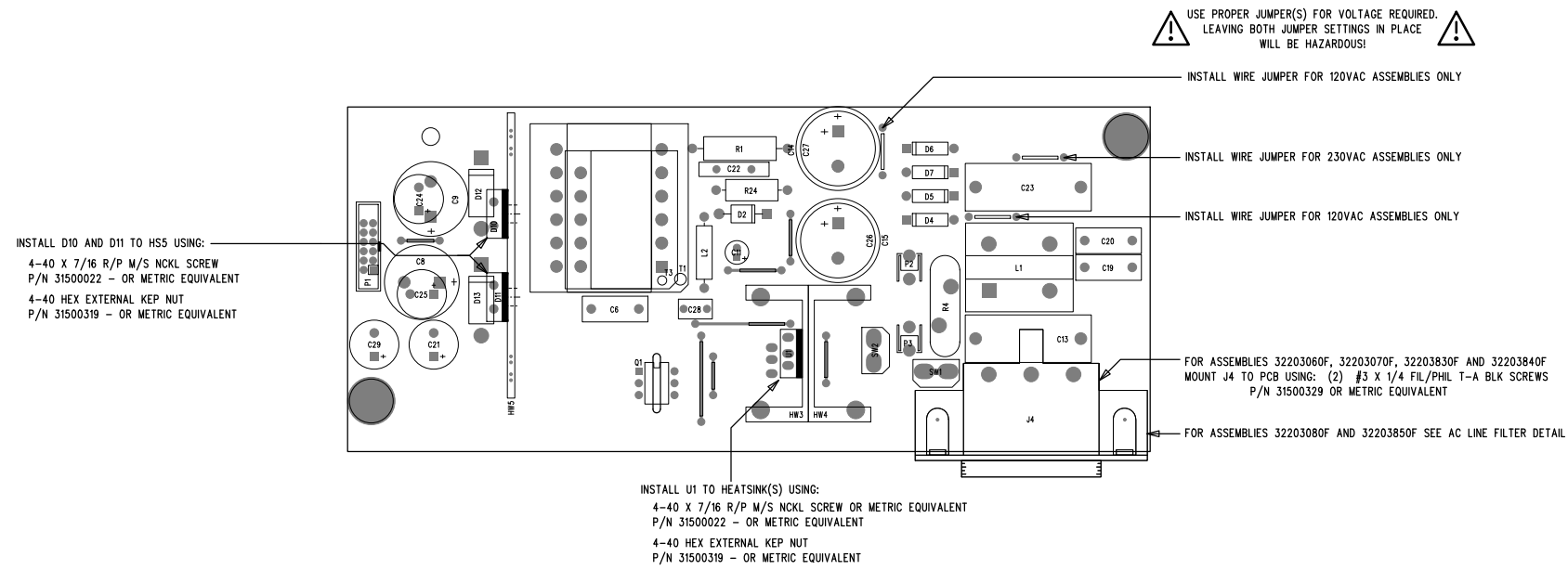
FOR ASSEMBLY 32203070F DO NOT INSTALL				
C14	C15	C8	C9	D10
D11		D8	T3	J1
	HW5			

FOR ASSEMBLY 32203080F DO NOT INSTALL				
	C26	C27	C19	C20
C24	C25	D14	D12	D13
T3	J1	J4		

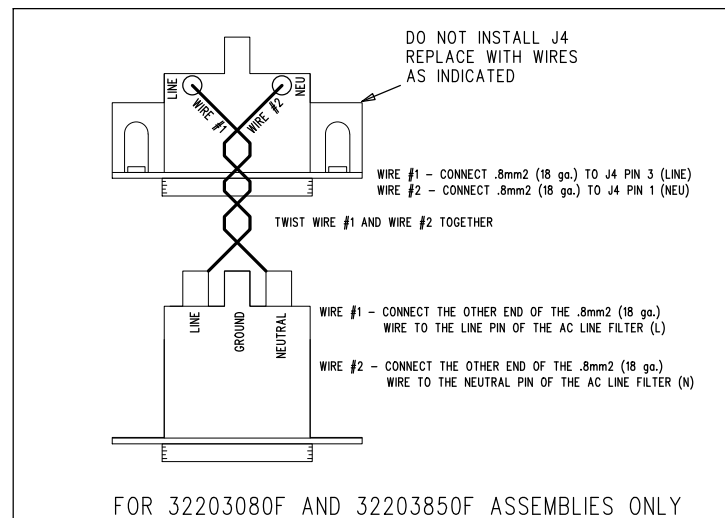
FOR ASSEMBLY 32203830F DO NOT INSTALL				
C14	C15	C8	C9	D10
D11		D8	T1	J2
J3	HW4	HW5		

FOR ASSEMBLY 32203840F DO NOT INSTALL				
C14	C15	C8	C9	D10
D11		D8	T3	J2
J3	HW5			

FOR ASSEMBLY 32203850F DO NOT INSTALL				
	C26	C27	C19	C20
C24	C25	D14	D12	D13
T3	J2	J3	J4	



AC LINE FILTER



FOR ASSEMBLY 32203060F DO NOT INSTALL				
C14	C15	C8	C9	D10
D11		D8	T1	J1
HW4	HW5			

FOR ASSEMBLY 32203070F DO NOT INSTALL				
C14	C15	C8	C9	D10
D11		D8	T3	J1
	HW5			

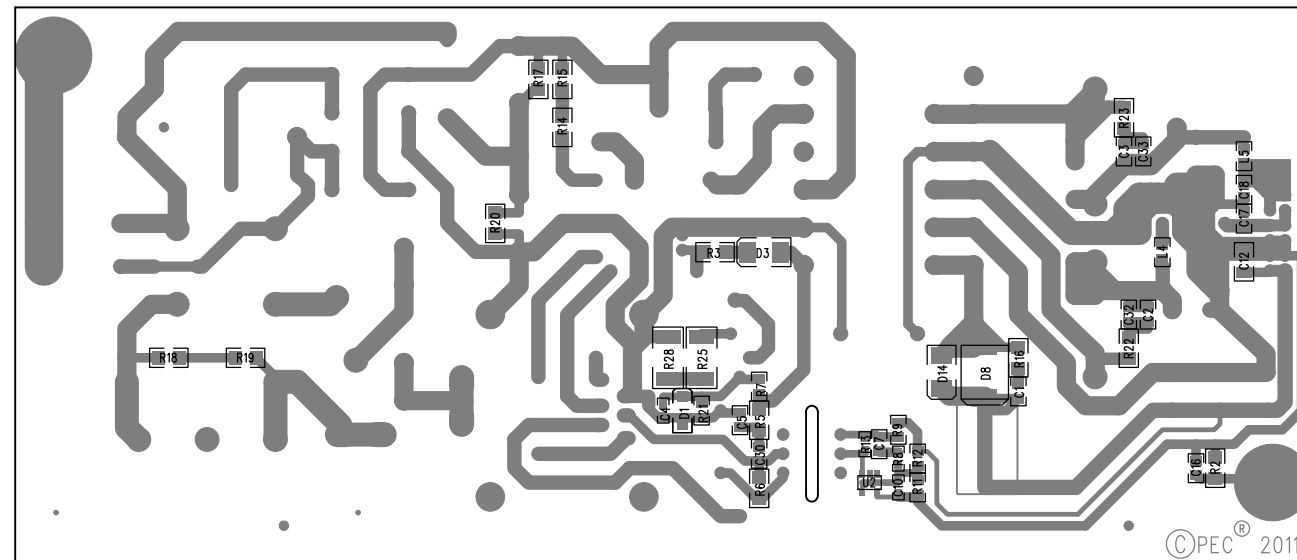
FOR ASSEMBLY 32203080F DO NOT INSTALL				
	C26	C27	C19	C20
C24	C25	D14	D12	D13
T3	J1	J4		

FOR ASSEMBLY 32203830F DO NOT INSTALL				
C14	C15	C8	C9	D10
D11		D8	T1	J2
J3	HW4	HW5		

FOR ASSEMBLY 32203840F DO NOT INSTALL				
C14	C15	C8	C9	D10
D11		D8	T3	J2
J3	HW5			

FOR ASSEMBLY 32203850F DO NOT INSTALL				
	C26	C27	C19	C20
C24	C25	D14	D12	D13
T3	J2	J3	J4	

SECONDARY SIDE VIEW



© PEC 2011

BILL OF MATERIAL REPORT

REPORT DATE/TIME: 3/20/2013 1:12:32 PM

BOARD NAME: VYPYR VIP1 POWER SUPPLY - 120V
32203060F

ASSEMBLY LEVEL NUMBER:

PROJECT NUMBER: P1100024

DESIGNER: JTH-32101818E

Qty.	Part #	Description	Reference
Designators			
1	30200012	47 1/4W 5% MF 1206	R3
1	30200041	4.7 1/4W 5% MF 1206	R2
1	30200049	4.99K 1/4W 1% MF 1206	R5
1	30200167	20K 1/10W 1% MF 0805	R7
1	30200181	100 1/10W 1% MF 0805	R9
1	30200200	8.25K 1/10W 1% MF 0805	R21
4	30200215	221K 1/4W 1% MF 1206	R17 R18 R19 R20
1	30200225	1.0M 1/4W 1% 1206	R6
1	30200252	5.23K 1/10W 1% MF 0805	R11
1	30200283	1.21K 1/10W 1% MF 0603	R13
1	30200287	100 1/10W 1% MF 0603	R8
3	30200348	10 1/4W 1% MF 1206	R16 R22 R23
1	30200376	12.1K 1/10W 1% MF 0805	R12
2	30200388	150 1W 1% MF 2512	R25 R28
2	30200420	33.2K 1/4W 1% MF 1206	R14 R15
1	30210001	22 1W 5% MO AXL	R24
1	30240200	10 OHM 3A INRUSH LIMITER	R4
1	30250081	22K 2W 5% MO AXL	R1

3	30300085	0.1UF 50V 20% Z5U 0805	C16 C17 C18
1	30300094	1UF 10V 10% X7R 0805	C7
1	30300130	1UF 25V □20% Y5V 1206	C12
1	30300160	1000PF 50V 5% NPO 0603	C10
1	30300170	330PF 100V 5% NPO 0805	C1
2	30300171	0.047UF 50V 5% X7R 0805	C5 C30
4	30300185	150PF 200V 5% NPO 0805	C2 C3 C32 C33
1	30300212	150PF 100V 5% NPO 0603	C4
2	30300333	010UF 200V 20% EL RADH	C26 C27
1	30320298	0.1UF 275V 20% "X" RADH	C23
3	30320322	2200PF 250V 20% "Y" RADH	C6 C19 C20
2	30320324	470UF 25V 20% ELS RAD	C21 C29
1	30320327	0.22UF 275V 20% "X" RADH	C13
1	30320442	100PF 1000V 20% Z5F RAD	C28
1	30320626	47UF 25V 20% EL RAD	C11
2	30320678	470UF 35V 20% EL LO-ESR RAD	C24 C25
1	30320693	4700PF 1000V 10% X7R RAD	C22
1	30400026	1A 600V 35N -DIODE T&R	D2
1	30400173	CNY17-3F BASELESS OPTO	Q1
1	30400999	QUASI RESONANT PWR SW 60W	U1
1	30418219	SCHOTTKY 40V 1A SMT	D14
1	30418272	1A 600V FAST RECOVERY RECT	D3
1	30418328	1N4148W SWITCHING DIODE	D1
1	30418758	TL431 ADJ SHUNT REG, SOT23-5	U2
2	30420420	MUR420 FAST RECOVERY DIODE	D12 D13
4	30464007	1N4007 1KV, 1A, SI DIODE	D4 D5 D6 D7

1	30500930	20W VYPYR FLYBACK XFMR	T3
1	30500933	25MH, 0.7A, EMI FILTER CHOKE	L1
1	30502122	FERRITE BEAD INDUCTOR T&R	L2
2	30519982	FERRITE BEAD 3A SMT	L4 L5
9	30600136	0 OHM 22GA JMPR AXL	J2 J3 R33 R34 R35 R36 R37 R38 R39
1	30900629	AAVID VER TO220 HEATSINK	HW3
1	30901428	PWR INLET, RA SCREW MT PC RA GND	J4
2	30901714	FUSE CLIP, 5 X 20MM -T&A	P2 P3
2	33716194	SPADE .250 PC MNT .093	SW1 SW2
1	33717360	12 HDR V DR 2MM GOLD	P1

 END OF BILL OF MATERIAL REPORT

BILL OF MATERIAL REPORT

REPORT DATE/TIME: 3/20/2013 1:14:49 PM

BOARD NAME: VYPYR VIP2 POWER SUPPLY - 120V
32203070F

ASSEMBLY LEVEL NUMBER:

PROJECT NUMBER: P1100024

DESIGNER: JTH-32101818E

Qty.	Part #	Description	Reference
Designators			
1	30200012	47 1/4W 5% MF 1206	R3
1	30200041	4.7 1/4W 5% MF 1206	R2
1	30200049	4.99K 1/4W 1% MF 1206	R5
1	30200167	20K 1/10W 1% MF 0805	R7
1	30200181	100 1/10W 1% MF 0805	R9
1	30200200	8.25K 1/10W 1% MF 0805	R21
4	30200215	221K 1/4W 1% MF 1206	R17 R18 R19 R20
1	30200225	1.0M 1/4W 1% 1206	R6
1	30200252	5.23K 1/10W 1% MF 0805	R11
1	30200283	1.21K 1/10W 1% MF 0603	R13
1	30200287	100 1/10W 1% MF 0603	R8
3	30200348	10 1/4W 1% MF 1206	R16 R22 R23
1	30200376	12.1K 1/10W 1% MF 0805	R12
2	30200388	150 1W 1% MF 2512	R25 R28
2	30200420	33.2K 1/4W 1% MF 1206	R14 R15
1	30210001	22 1W 5% MO AXL	R24
1	30240200	10 OHM 3A INRUSH LIMITER	R4
1	30250081	22K 2W 5% MO AXL	R1

3	30300085	0.1UF 50V 20% Z5U 0805	C16 C17 C18
1	30300094	1UF 10V 10% X7R 0805	C7
1	30300130	1UF 25V □20% Y5V 1206	C12
1	30300160	1000PF 50V 5% NPO 0603	C10
1	30300170	330PF 100V 5% NPO 0805	C1
2	30300171	0.047UF 50V 5% X7R 0805	C5 C30
4	30300185	150PF 200V 5% NPO 0805	C2 C3 C32 C33
1	30300212	150PF 100V 5% NPO 0603	C4
2	30300333	010UF 200V 20% EL RADH	C26 C27
1	30320298	0.1UF 275V 20% "X" RADH	C23
3	30320322	2200PF 250V 20% "Y" RADH	C6 C19 C20
2	30320324	470UF 25V 20% ELS RAD	C21 C29
1	30320327	0.22UF 275V 20% "X" RADH	C13
1	30320442	100PF 1000V 20% Z5F RAD	C28
1	30320626	47UF 25V 20% EL RAD	C11
2	30320678	470UF 35V 20% EL LO-ESR RAD	C24 C25
1	30320693	4700PF 1000V 10% X7R RAD	C22
1	30400026	1A 600V 35N -DIODE T&R	D2
1	30400052	QUASI RESONANT PWR SWITCH	U1
1	30400173	CNY17-3F BASELESS OPTO	Q1
1	30418219	SCHOTTKY 40V 1A SMT	D14
1	30418272	1A 600V FAST RECOVERY RECT	D3
1	30418328	1N4148W SWITCHING DIODE	D1
1	30418758	TL431 ADJ SHUNT REG, SOT23-5	U2
2	30420420	MUR420 FAST RECOVERY DIODE	D12 D13
4	30464007	1N4007 1KV, 1A, SI DIODE	D4 D5 D6 D7

1	30500931	40W VYPYR FLYBACK XFMR	T1
1	30500933	25MH, 0.7A, EMI FILTER CHOKE	L1
1	30502122	FERRITE BEAD INDUCTOR T&R	L2
2	30519982	FERRITE BEAD 3A SMT	L4 L5
9	30600136	0 OHM 22GA JMPR AXL	J2 J3 R33 R34 R35 R36 R37 R38 R39
2	30900629	AAVID VER TO220 HEATSINK	HW3 HW4
1	30901428	PWR INLET, RA SCREW MT PC RA GND	J4
2	30901714	FUSE CLIP, 5 X 20MM -T&A	P2 P3
2	33716194	SPADE .250 PC MNT .093	SW1 SW2
1	33717360	12 HDR V DR 2MM GOLD	P1

 END OF BILL OF MATERIAL REPORT

BILL OF MATERIAL REPORT

REPORT DATE/TIME: 3/20/2013 1:17:49 PM

BOARD NAME: VYPYR VIP3 POWER SUPPLY - 120V
32203080F

ASSEMBLY LEVEL NUMBER:

PROJECT NUMBER: P1100024

DESIGNER: JTH-32101818E

Qty.	Part #	Description	Reference
Designators			

1	30200012	47 1/4W 5% MF 1206	R3
1	30200041	4.7 1/4W 5% MF 1206	R2
1	30200049	4.99K 1/4W 1% MF 1206	R5
1	30200167	20K 1/10W 1% MF 0805	R7
1	30200181	100 1/10W 1% MF 0805	R9
1	30200200	8.25K 1/10W 1% MF 0805	R21
4	30200215	221K 1/4W 1% MF 1206	R17 R18 R19 R20
1	30200225	1.0M 1/4W 1% 1206	R6
1	30200252	5.23K 1/10W 1% MF 0805	R11
1	30200283	1.21K 1/10W 1% MF 0603	R13
1	30200287	100 1/10W 1% MF 0603	R8
3	30200348	10 1/4W 1% MF 1206	R16 R22 R23
1	30200376	12.1K 1/10W 1% MF 0805	R12
2	30200388	150 1W 1% MF 2512	R25 R28
2	30200420	33.2K 1/4W 1% MF 1206	R14 R15
1	30210001	22 1W 5% MO AXL	R24
1	30240200	10 OHM 3A INRUSH LIMITER	R4
1	30250081	22K 2W 5% MO AXL	R1

3	30300085	0.1UF 50V 20% Z5U 0805	C16 C17 C18
1	30300094	1UF 10V 10% X7R 0805	C7
1	30300130	1UF 25V □20% Y5V 1206	C12
1	30300160	1000PF 50V 5% NPO 0603	C10
1	30300170	330PF 100V 5% NPO 0805	C1
2	30300171	0.047UF 50V 5% X7R 0805	C5 C30
4	30300185	150PF 200V 5% NPO 0805	C2 C3 C32 C33
1	30300212	150PF 100V 5% NPO 0603	C4
2	30300330	330UF 200V 20% EL RADH	C14 C15
1	30320271	0.47UF 275V 20% "X" RADH	C13
1	30320298	0.1UF 275V 20% "X" RADH	C23
1	30320322	2200PF 250V 20% "Y" RADH	C6
2	30320324	470UF 25V 20% ELS RAD	C21 C29
1	30320442	100PF 1000V 20% Z5F RAD	C28
1	30320626	47UF 25V 20% EL RAD	C11
2	30320673	2200UF 35V 20% EL LOW ESR RAD	C8 C9
1	30320693	4700PF 1000V 10% X7R RAD	C22
1	30400026	1A 600V 35N -DIODE T&R	D2
1	30400052	QUASI RESONANT PWR SWITCH	U1
1	30400173	CNY17-3F BASELESS OPTO	Q1
2	30401020	10A 200V ULTRAFAST DIODE	D10 D11
1	30418272	1A 600V FAST RECOVERY RECT	D3
1	30418328	1N4148W SWITCHING DIODE	D1
1	30418363	MBRS360T3 SCHOTTKY 60V 3A	D8
1	30418758	TL431 ADJ SHUNT REG, SOT23-5	U2
4	30464007	1N4007 1KV, 1A, SI DIODE	D4 D5 D6 D7

1	30500932	80W VYPYR FLYBACK XFMR	T1
1	30502122	FERRITE BEAD INDUCTOR T&R	L2
2	30519982	FERRITE BEAD 3A SMT	L4 L5
1	30519985	COMMON MODE CHOKE	L1
9	30600136	0 OHM 22GA JMPR AXL	J2 J3 R33 R34 R35 R36 R37 R38 R39
2	30900629	AAVID VER TO220 HEATSINK	HW3 HW4
2	30901714	FUSE CLIP, 5 X 20MM -T&A	P2 P3
2	33716194	SPADE .250 PC MNT .093	SW1 SW2
1	33717360	12 HDR V DR 2MM GOLD	P1
1	98002978	DUAL V REG HEATSINK VRT	HW5

 END OF BILL OF MATERIAL REPORT

BILL OF MATERIAL REPORT

REPORT DATE/TIME: 3/20/2013 1:20:49 PM

BOARD NAME: VYPYR VIP1 POWER SUPPLY - 230V
32203830F

ASSEMBLY LEVEL NUMBER:

PROJECT NUMBER: P1100024

DESIGNER: JTH-32101818E

Qty.	Part #	Description	Reference
Designators			

1	30200012	47 1/4W 5% MF 1206	R3
1	30200041	4.7 1/4W 5% MF 1206	R2
1	30200049	4.99K 1/4W 1% MF 1206	R5
1	30200167	20K 1/10W 1% MF 0805	R7
1	30200181	100 1/10W 1% MF 0805	R9
1	30200200	8.25K 1/10W 1% MF 0805	R21
4	30200215	221K 1/4W 1% MF 1206	R17 R18 R19 R20
1	30200225	1.0M 1/4W 1% 1206	R6
1	30200252	5.23K 1/10W 1% MF 0805	R11
1	30200283	1.21K 1/10W 1% MF 0603	R13
1	30200287	100 1/10W 1% MF 0603	R8
3	30200348	10 1/4W 1% MF 1206	R16 R22 R23
1	30200376	12.1K 1/10W 1% MF 0805	R12
2	30200388	150 1W 1% MF 2512	R25 R28
2	30200420	33.2K 1/4W 1% MF 1206	R14 R15
1	30210001	22 1W 5% MO AXL	R24
1	30240200	10 OHM 3A INRUSH LIMITER	R4
1	30250081	22K 2W 5% MO AXL	R1

3	30300085	0.1UF 50V 20% Z5U 0805	C16 C17 C18
1	30300094	1UF 10V 10% X7R 0805	C7
1	30300130	1UF 25V □20% Y5V 1206	C12
1	30300160	1000PF 50V 5% NPO 0603	C10
1	30300170	330PF 100V 5% NPO 0805	C1
2	30300171	0.047UF 50V 5% X7R 0805	C5 C30
4	30300185	150PF 200V 5% NPO 0805	C2 C3 C32 C33
1	30300212	150PF 100V 5% NPO 0603	C4
2	30300333	010UF 200V 20% EL RADH	C26 C27
1	30320298	0.1UF 275V 20% "X" RADH	C23
3	30320322	2200PF 250V 20% "Y" RADH	C6 C19 C20
2	30320324	470UF 25V 20% ELS RAD	C21 C29
1	30320327	0.22UF 275V 20% "X" RADH	C13
1	30320442	100PF 1000V 20% Z5F RAD	C28
1	30320626	47UF 25V 20% EL RAD	C11
2	30320678	470UF 35V 20% EL LO-ESR RAD	C24 C25
1	30320693	4700PF 1000V 10% X7R RAD	C22
1	30400026	1A 600V 35N -DIODE T&R	D2
1	30400173	CNY17-3F BASELESS OPTO	Q1
1	30400999	QUASI RESONANT PWR SW 60W	U1
1	30418219	SCHOTTKY 40V 1A SMT	D14
1	30418272	1A 600V FAST RECOVERY RECT	D3
1	30418328	1N4148W SWITCHING DIODE	D1
1	30418758	TL431 ADJ SHUNT REG, SOT23-5	U2
2	30420420	MUR420 FAST RECOVERY DIODE	D12 D13
4	30464007	1N4007 1KV, 1A, SI DIODE	D4 D5 D6 D7

1	30500930	20W VYPYR FLYBACK XFMR	T3
1	30500933	25MH, 0.7A, EMI FILTER CHOKE	L1
1	30502122	FERRITE BEAD INDUCTOR T&R	L2
2	30519982	FERRITE BEAD 3A SMT	L4 L5
8	30600136	0 OHM 22GA JMPR AXL	J1 R33 R34 R35 R36 R37 R38 R39
1	30900629	AAVID VER TO220 HEATSINK	HW3
1	30901428	PWR INLET, RA SCREW MT PC RA GND	J4
2	30901714	FUSE CLIP, 5 X 20MM -T&A	P2 P3
2	33716194	SPADE .250 PC MNT .093	SW1 SW2
1	33717360	12 HDR V DR 2MM GOLD	P1

 END OF BILL OF MATERIAL REPORT

BILL OF MATERIAL REPORT

REPORT DATE/TIME: 3/20/2013 1:29:16 PM

BOARD NAME: VYPYR VIP2 POWER SUPPLY - 230V
32203840F

ASSEMBLY LEVEL NUMBER:

PROJECT NUMBER: P1100024

DESIGNER: JTH-32101818E

Qty.	Part #	Description	Reference
Designators			

1	30200012	47 1/4W 5% MF 1206	R3
1	30200041	4.7 1/4W 5% MF 1206	R2
1	30200049	4.99K 1/4W 1% MF 1206	R5
1	30200167	20K 1/10W 1% MF 0805	R7
1	30200181	100 1/10W 1% MF 0805	R9
1	30200200	8.25K 1/10W 1% MF 0805	R21
4	30200215	221K 1/4W 1% MF 1206	R17 R18 R19 R20
1	30200225	1.0M 1/4W 1% 1206	R6
1	30200252	5.23K 1/10W 1% MF 0805	R11
1	30200283	1.21K 1/10W 1% MF 0603	R13
1	30200287	100 1/10W 1% MF 0603	R8
3	30200348	10 1/4W 1% MF 1206	R16 R22 R23
1	30200376	12.1K 1/10W 1% MF 0805	R12
2	30200388	150 1W 1% MF 2512	R25 R28
2	30200420	33.2K 1/4W 1% MF 1206	R14 R15
1	30210001	22 1W 5% MO AXL	R24
1	30240200	10 OHM 3A INRUSH LIMITER	R4
1	30250081	22K 2W 5% MO AXL	R1

3	30300085	0.1UF 50V 20% Z5U 0805	C16 C17 C18
1	30300094	1UF 10V 10% X7R 0805	C7
1	30300130	1UF 25V □20% Y5V 1206	C12
1	30300160	1000PF 50V 5% NPO 0603	C10
1	30300170	330PF 100V 5% NPO 0805	C1
2	30300171	0.047UF 50V 5% X7R 0805	C5 C30
4	30300185	150PF 200V 5% NPO 0805	C2 C3 C32 C33
1	30300212	150PF 100V 5% NPO 0603	C4
2	30300333	010UF 200V 20% EL RADH	C26 C27
1	30320298	0.1UF 275V 20% "X" RADH	C23
3	30320322	2200PF 250V 20% "Y" RADH	C6 C19 C20
2	30320324	470UF 25V 20% ELS RAD	C21 C29
1	30320327	0.22UF 275V 20% "X" RADH	C13
1	30320442	100PF 1000V 20% Z5F RAD	C28
1	30320626	47UF 25V 20% EL RAD	C11
2	30320678	470UF 35V 20% EL LO-ESR RAD	C24 C25
1	30320693	4700PF 1000V 10% X7R RAD	C22
1	30400026	1A 600V 35N -DIODE T&R	D2
1	30400052	QUASI RESONANT PWR SWITCH	U1
1	30400173	CNY17-3F BASELESS OPTO	Q1
1	30418219	SCHOTTKY 40V 1A SMT	D14
1	30418272	1A 600V FAST RECOVERY RECT	D3
1	30418328	1N4148W SWITCHING DIODE	D1
1	30418758	TL431 ADJ SHUNT REG, SOT23-5	U2
2	30420420	MUR420 FAST RECOVERY DIODE	D12 D13
4	30464007	1N4007 1KV, 1A, SI DIODE	D4 D5 D6 D7

1	30500931	40W VYPYR FLYBACK XFMR	T1
1	30500933	25MH, 0.7A, EMI FILTER CHOKE	L1
1	30502122	FERRITE BEAD INDUCTOR T&R	L2
2	30519982	FERRITE BEAD 3A SMT	L4 L5
8	30600136	0 OHM 22GA JMPR AXL	J1 R33 R34 R35 R36 R37 R38 R39
2	30900629	AAVID VER TO220 HEATSINK	HW3 HW4
1	30901428	PWR INLET, RA SCREW MT PC RA GND	J4
2	30901714	FUSE CLIP, 5 X 20MM -T&A	P2 P3
2	33716194	SPADE .250 PC MNT .093	SW1 SW2
1	33717360	12 HDR V DR 2MM GOLD	P1

 END OF BILL OF MATERIAL REPORT

BILL OF MATERIAL REPORT

REPORT DATE/TIME: 3/20/2013 1:37:13 PM

BOARD NAME: VYPPYR VIP3 POWER SUPPLY - 230V
32203850F

ASSEMBLY LEVEL NUMBER:

PROJECT NUMBER: P1100024

DESIGNER: JTH-32101818E

Qty.	Part #	Description	Reference
Designators			

1	30200012	47 1/4W 5% MF 1206	R3
1	30200041	4.7 1/4W 5% MF 1206	R2
1	30200049	4.99K 1/4W 1% MF 1206	R5
1	30200167	20K 1/10W 1% MF 0805	R7
1	30200181	100 1/10W 1% MF 0805	R9
1	30200200	8.25K 1/10W 1% MF 0805	R21
4	30200215	221K 1/4W 1% MF 1206	R17 R18 R19 R20
1	30200225	1.0M 1/4W 1% 1206	R6
1	30200252	5.23K 1/10W 1% MF 0805	R11
1	30200283	1.21K 1/10W 1% MF 0603	R13
1	30200287	100 1/10W 1% MF 0603	R8
3	30200348	10 1/4W 1% MF 1206	R16 R22 R23
1	30200376	12.1K 1/10W 1% MF 0805	R12
2	30200388	150 1W 1% MF 2512	R25 R28
2	30200420	33.2K 1/4W 1% MF 1206	R14 R15
1	30210001	22 1W 5% MO AXL	R24
1	30240200	10 OHM 3A INRUSH LIMITER	R4
1	30250081	22K 2W 5% MO AXL	R1

3	30300085	0.1UF 50V 20% Z5U 0805	C16 C17 C18
1	30300094	1UF 10V 10% X7R 0805	C7
1	30300130	1UF 25V □20% Y5V 1206	C12
1	30300160	1000PF 50V 5% NPO 0603	C10
1	30300170	330PF 100V 5% NPO 0805	C1
2	30300171	0.047UF 50V 5% X7R 0805	C5 C30
4	30300185	150PF 200V 5% NPO 0805	C2 C3 C32 C33
1	30300212	150PF 100V 5% NPO 0603	C4
2	30300330	330UF 200V 20% EL RADH	C14 C15
1	30320271	0.47UF 275V 20% "X" RADH	C13
1	30320298	0.1UF 275V 20% "X" RADH	C23
1	30320322	2200PF 250V 20% "Y" RADH	C6
2	30320324	470UF 25V 20% ELS RAD	C21 C29
1	30320442	100PF 1000V 20% Z5F RAD	C28
1	30320626	47UF 25V 20% EL RAD	C11
2	30320673	2200UF 35V 20% EL LOW ESR RAD	C8 C9
1	30320693	4700PF 1000V 10% X7R RAD	C22
1	30400026	1A 600V 35N -DIODE T&R	D2
1	30400052	QUASI RESONANT PWR SWITCH	U1
1	30400173	CNY17-3F BASELESS OPTO	Q1
2	30401020	10A 200V ULTRAFAST DIODE	D10 D11
1	30418272	1A 600V FAST RECOVERY RECT	D3
1	30418328	1N4148W SWITCHING DIODE	D1
1	30418363	MBRS360T3 SCHOTTKY 60V 3A	D8
1	30418758	TL431 ADJ SHUNT REG, SOT23-5	U2
4	30464007	1N4007 1KV, 1A, SI DIODE	D4 D5 D6 D7

1	30500932	80W VYPYR FLYBACK XFMR	T1
1	30502122	FERRITE BEAD INDUCTOR T&R	L2
2	30519982	FERRITE BEAD 3A SMT	L4 L5
1	30519985	COMMON MODE CHOKE	L1
8	30600136	0 OHM 22GA JMPR AXL	J1 R33 R34 R35 R36 R37 R38 R39
2	30900629	AAVID VER TO220 HEATSINK	HW3 HW4
2	30901714	FUSE CLIP, 5 X 20MM -T&A	P2 P3
2	33716194	SPADE .250 PC MNT .093	SW1 SW2
1	33717360	12 HDR V DR 2MM GOLD	P1
1	98002978	DUAL V REG HEATSINK VRT	HW5

 END OF BILL OF MATERIAL REPORT
