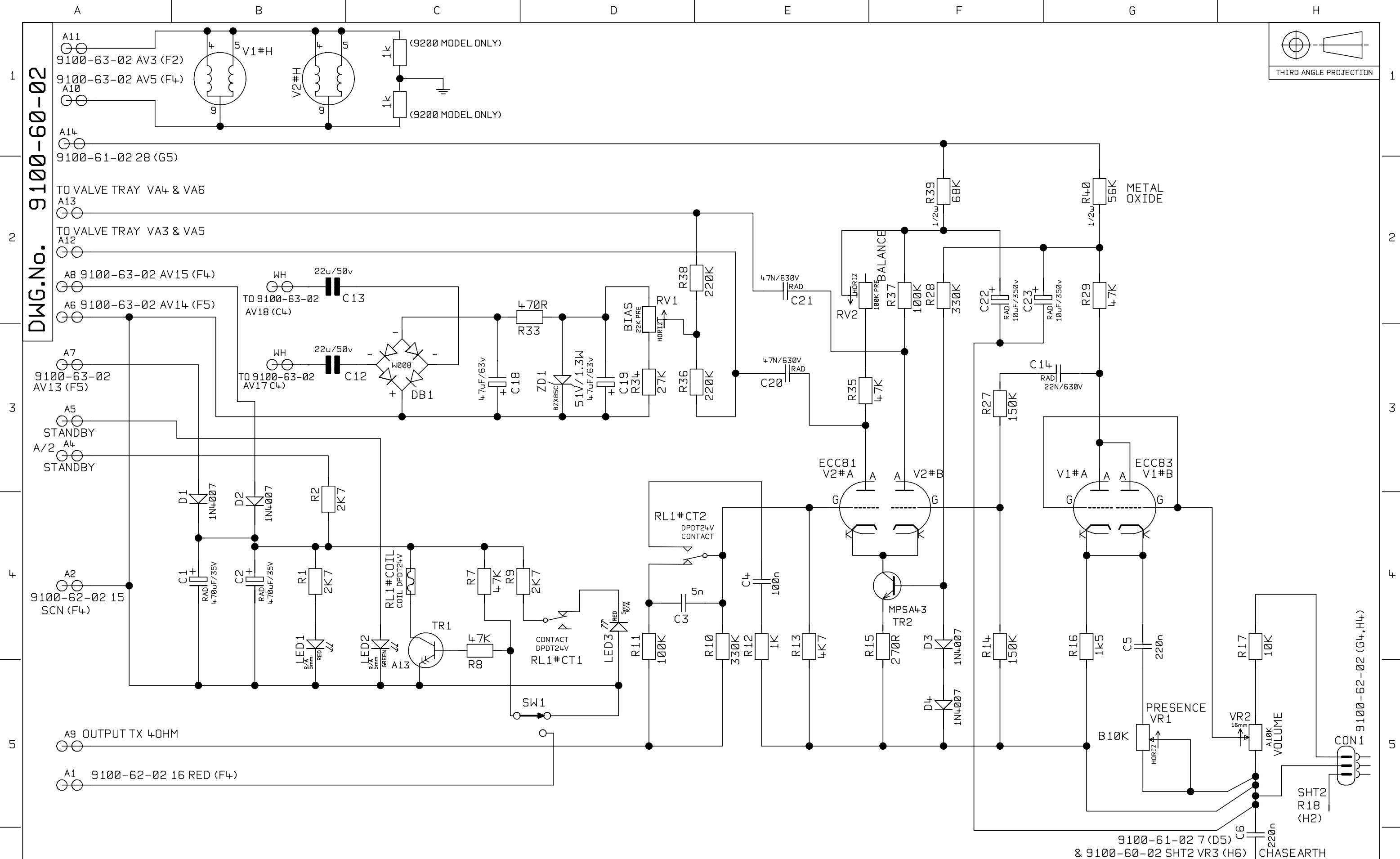
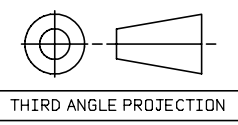


DWG.No. 9100-60-02



ISS	ECO NUMBER	DATE	A	B	C	D	E	F	G	H
6	1313	01-10-96	A	B	C	D	E	F	G	H
5	0705	25-11-94	B	C	D	E	F	G	H	
4	0752	27-10-94	C	D	E	F	G	H		
3	0606	19-4-94	D	E	F	G	H			

UNSPECIFIED HOLE DATA	
A	H
B	J
C	K
D	L
E	M
F	N
G	P

MATERIAL	
MATERIAL THICKNESS	
INTERNAL BEND RADII	
EXTERNAL B/A	
BEND DIE	
DRAWN A.G.	DATE 8-6-93
CHECKED	DATE
APPROVED	DATE

DIMENSIONS IN	
TOLERANCE (UNLESS OTHERWISE STATED)	
DIMENSIONAL	
CENTRES	
ANGULAR	
MODEL	9100/9200

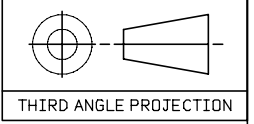
Marshall

COPYRIGHT EXISTS ON THIS DOCUMENT. IT MUST NOT BE USED FOR ANY PURPOSE THAN THAT FOR WHICH IT IS SUPPLIED AND MUST NOT BE COPIED (IN WHOLE OR IN PART) WITHOUT WRITTEN PERMISSION FROM

MARSHALL AMPLIFICATION PLC.
DENBIGH ROAD, BLETCHLEY, MILTON KEYNES, MK1 1DQ.
TEL (0908)375411 FAX (0908)376118

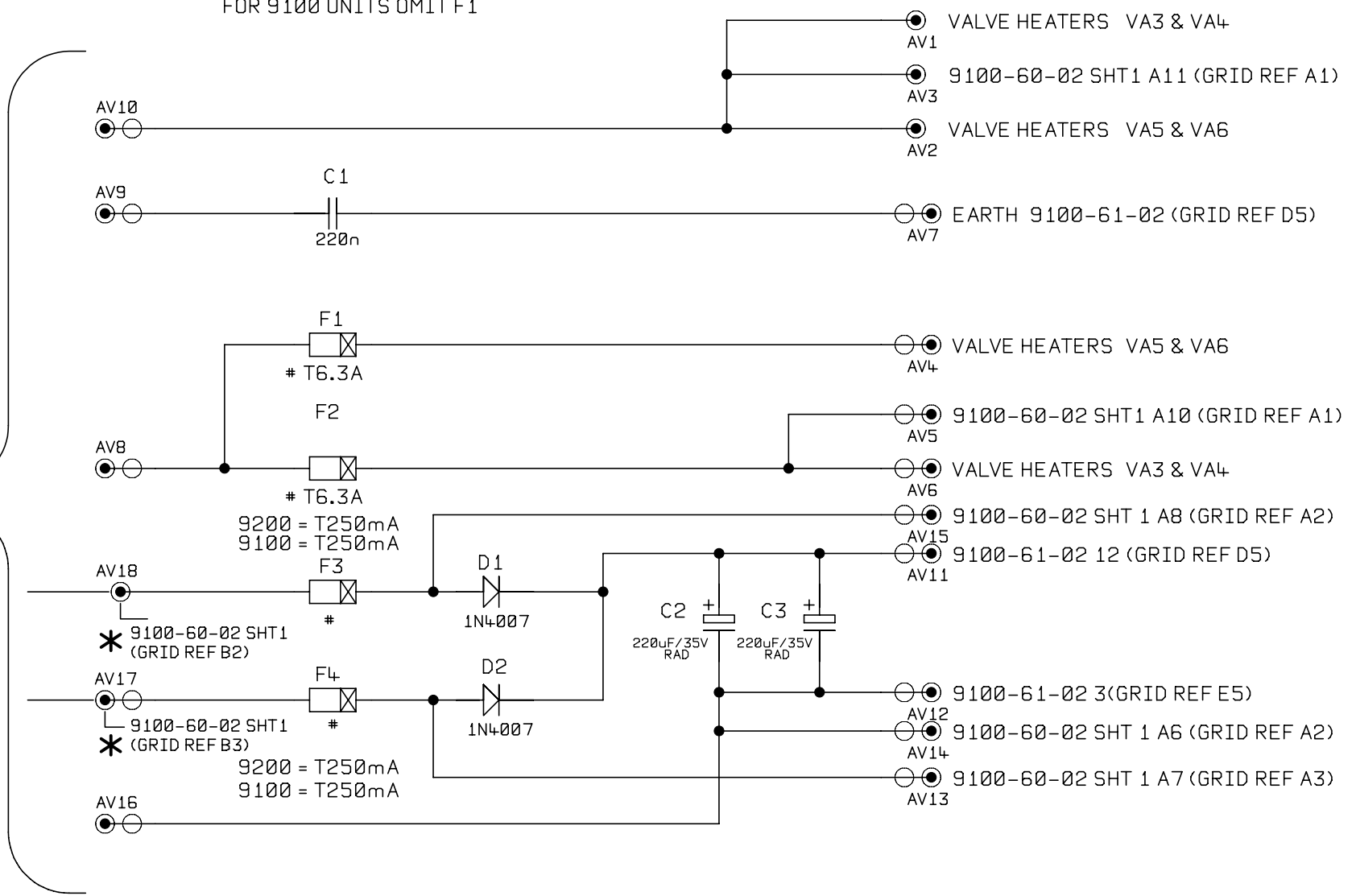
TITLE		SHEET 1 OF 2	
CCT DIAG			
DRIVER PCB			
DWG.No	9100-60-02	ISSUE	6

DWG.No. 9100-63-02



MAINS TRANSFORMER

FOR 9100 UNITS OMIT F1



* SEMKO ONLY

UNSPECIFIED HOLE DATA

			A	H
7	0725	27-10-94	B	J
6	0659	8-6-94	C	K
5	0606	19-4-94	D	L
4	0502	16-12-93	E	M
3	0467	12-11-93	F	N
ISS	ECO NUMBER	DATE	G	P

MATERIAL	
MATERIAL THICKNESS	
INTERNAL BEND RADIUS	
EXTERNAL B/A	
BEND DIE	
DRAWN A.G.	DATE 8-6-93
CHECKED	DATE
APPROVED	DATE

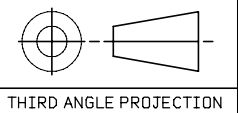
DIMENSIONS IN	
TOLERANCE (UNLESS OTHERWISE STATED)	
DIMENSIONAL	
CENTRES	
ANGULAR	
MODEL 9100/9200	



COPYRIGHT EXISTS ON THIS DOCUMENT. IT MUST NOT BE USED FOR ANY PURPOSE THAN THAT FOR WHICH IT IS SUPPLIED AND MUST NOT BE COPIED (IN WHOLE OR IN PART) WITHOUT WRITTEN PERMISSION FROM MARSHALL AMPLIFICATION PLC. DENBIGH ROAD, BLETCHLEY, MILTON KEYNES, MK1 1DQ. TEL (0900)375411 FAX (0900)376118

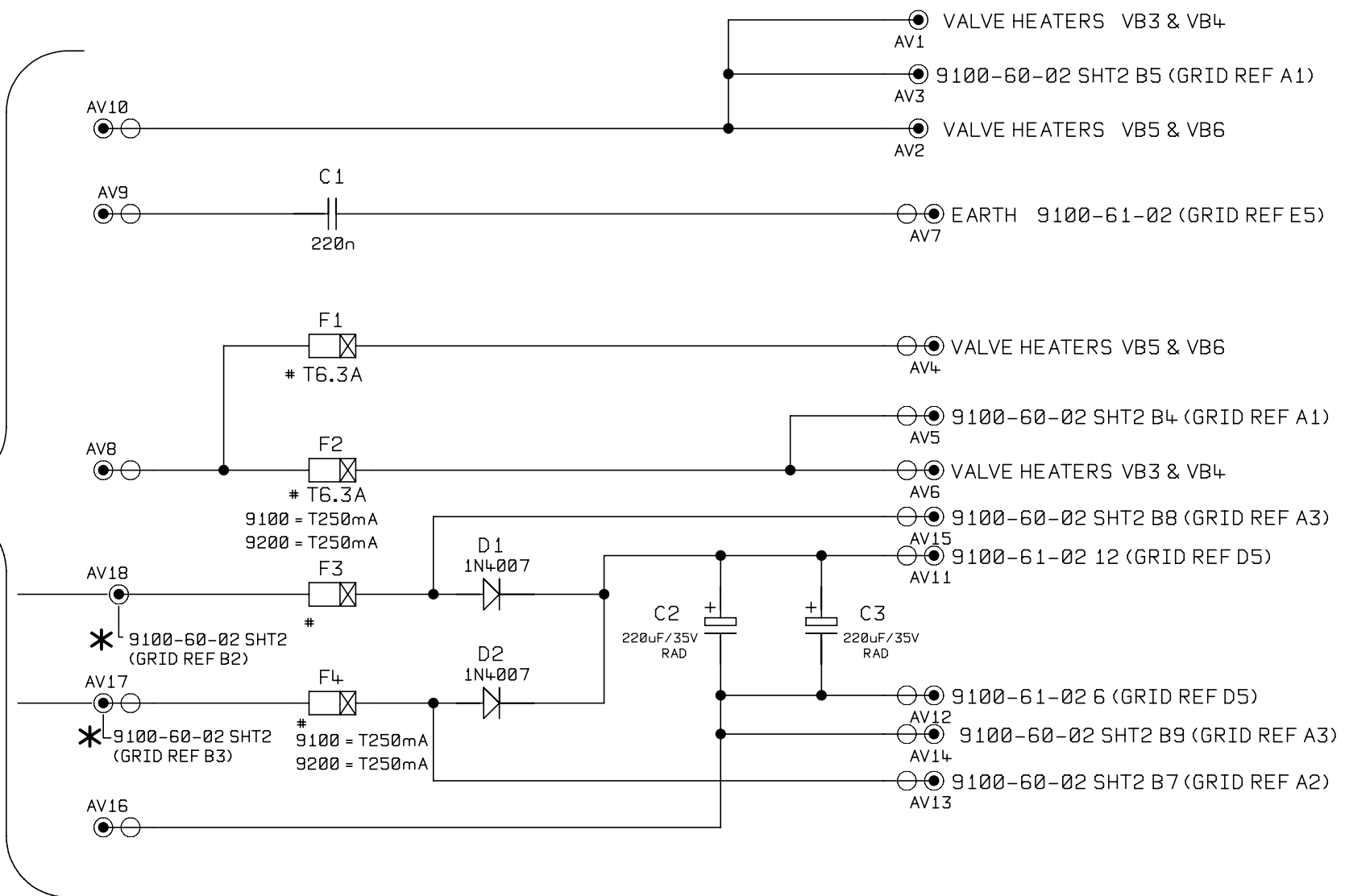
TITLE	
CCT DIAG FUSE PCB'S	
DWG.No	ISSUE
9100-63-02	7

DWG.No. 9100-64-02



MAINS TRANSFORMER

FOR 9100 UNITS OMIT F1



* SEMKO ONLY

UNSPECIFIED HOLE DATA		
	A	H
	B	J
7	C	K
5	D	L
4	E	M
3	F	N
ISS	G	P
ECO NUMBER		
DATE		

MATERIAL	
MATERIAL THICKNESS	
INTERNAL BEND RADIUS	
EXTERNAL B/A	
BEND DIE	
DRAWN A.G.	DATE 8-6-93
CHECKED	DATE
APPROVED	DATE

DIMENSIONS IN	
TOLERANCE (UNLESS OTHERWISE STATED)	
DIMENSIONAL	
CENTRES	
ANGULAR	
MODEL	9100/9200

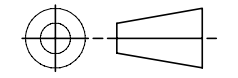
Marshall

COPYRIGHT EXISTS ON THIS DOCUMENT. IT MUST NOT BE USED FOR ANY PURPOSE THAN THAT FOR WHICH IT IS SUPPLIED AND MUST NOT BE COPIED (IN WHOLE OR IN PART) WITHOUT WRITTEN PERMISSION FROM MARSHALL AMPLIFICATION PLC.
DENBIGH ROAD, BLETCHLEY, MILTON KEYNES, MK1 10Q.
TEL (0500)375411 FAX (0500)375118

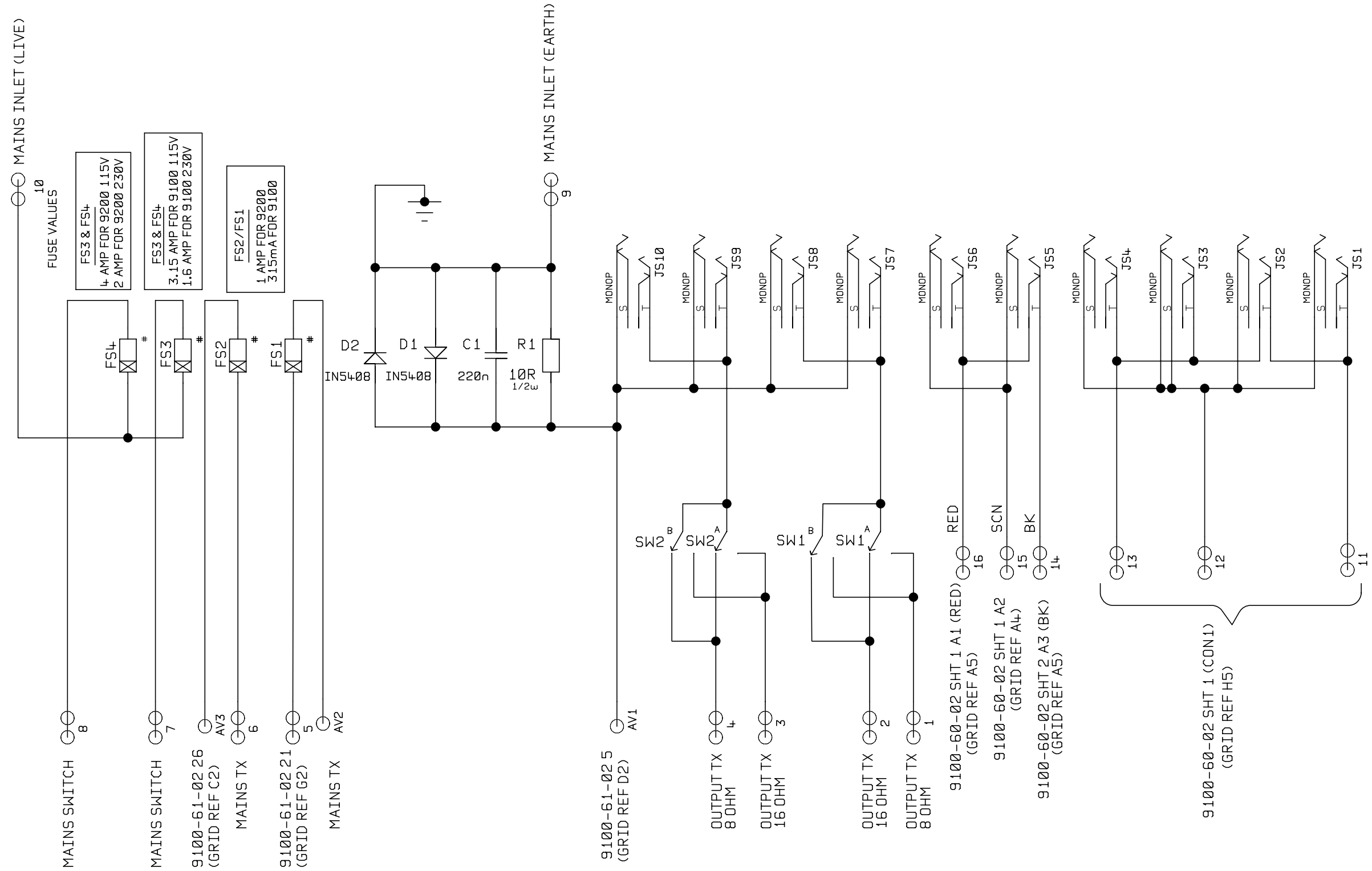
TITLE	
CCT DIAG FUSE PCB'S	
DWG.No	ISSUE
9100-64-02	7

A B C D E F G H

DWG.No. 9100-62-02



THIRD ANGLE PROJECTION



UNSPECIFIED HOLE DATA

A	H
B	J
C	K
D	L
E	M
F	N
G	P

MATERIAL

MATERIAL THICKNESS	
INTERNAL BEND RADII	
EXTERNAL B/A	
BEND DIE	
DRAWN A.G.	DATE 8-6-93
CHECKED	DATE
APPROVED	DATE

DIMENSIONS IN

TOLERANCE (UNLESS OTHERWISE STATED)
DIMENSIONAL
CENTRES
ANGULAR
MODEL
9100/9200



COPYRIGHT EXISTS ON THIS DOCUMENT. IT MUST NOT BE USED FOR ANY PURPOSE THAN THAT FOR WHICH IT IS SUPPLIED AND MUST NOT BE COPIED (IN WHOLE OR IN PART) WITHOUT WRITTEN PERMISSION FROM MARSHALL AMPLIFICATION PLC. DENBIGH ROAD, BLETCHLEY, MILTON KEYNES, MK1 1DQ. TEL (0908)375411 FAX (0908)376118

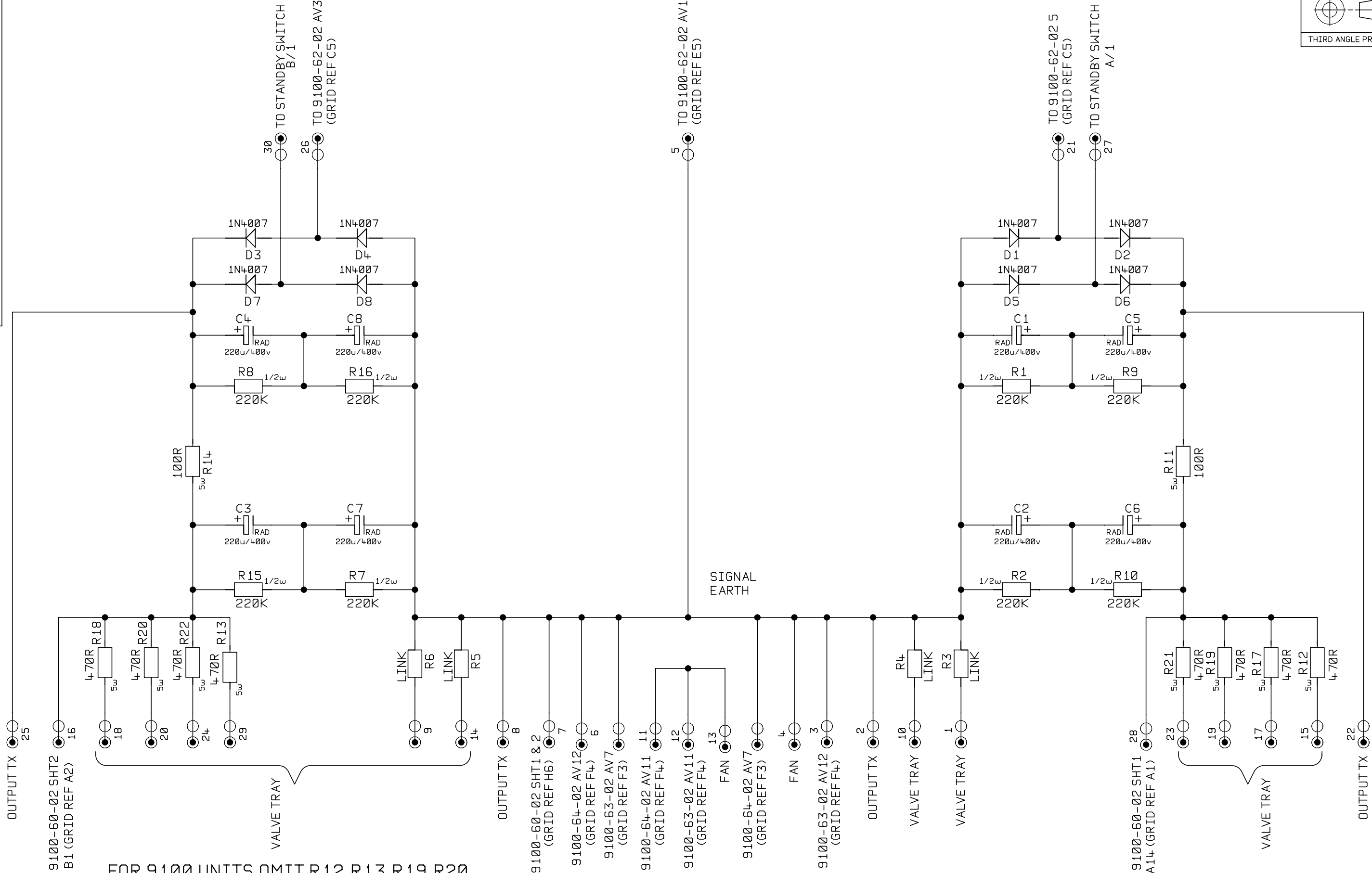
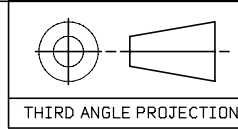
TITLE

CCT DIAG	
INPUT/OUTPUT PCB	
DWG.No	ISSUE
9100-62-02	4

6

6

DWG.No. 9100-61-02



FOR 9100 UNITS OMIT R12,R13,R19,R20

UNSPECIFIED HOLE DATA		
	A	H
	B	J
6	0705	25-11-94
5	0725	27-10-94
4	0502	16-12-93
3	0467	12-11-93
ISS	ECO NUMBER	DATE

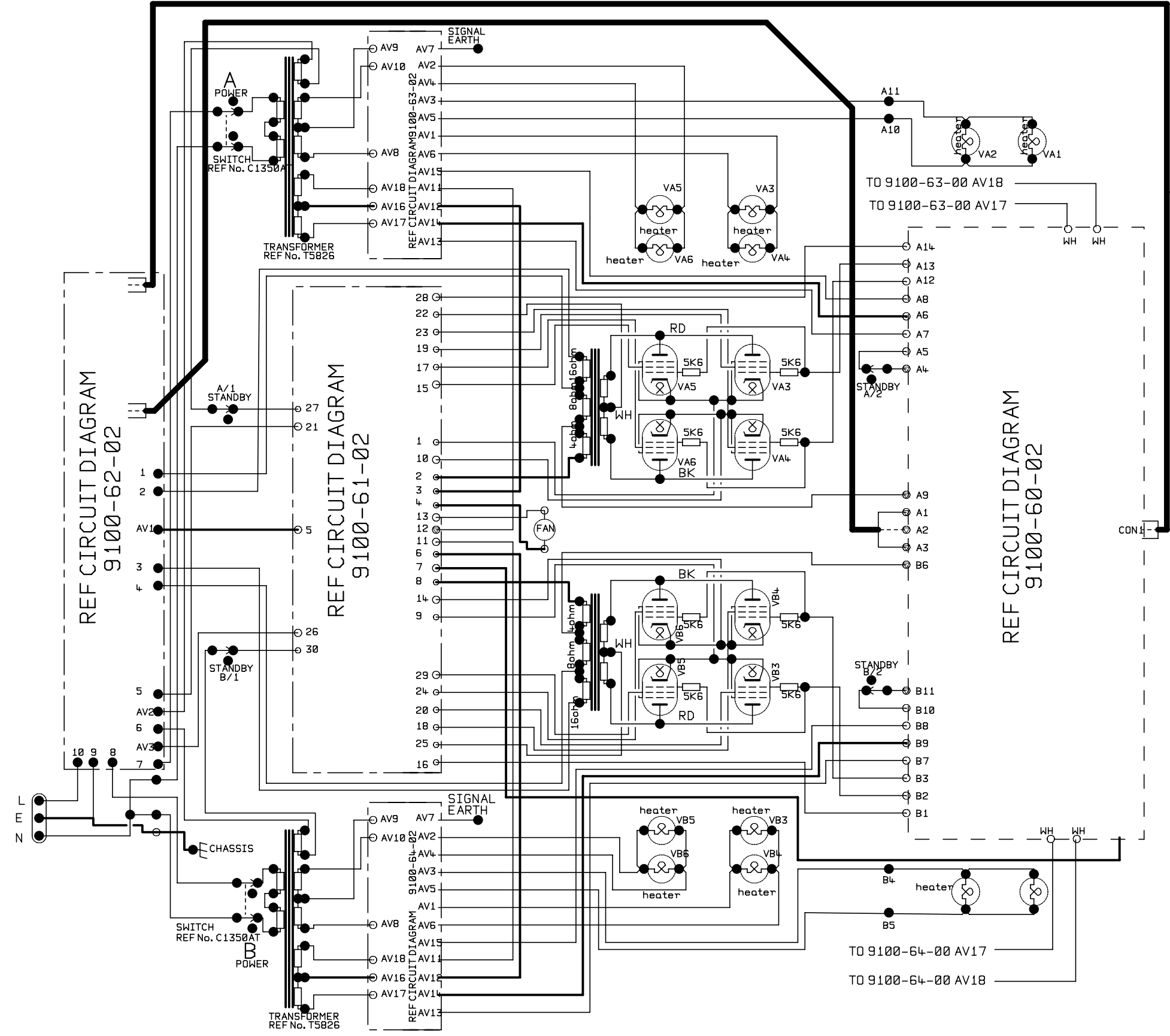
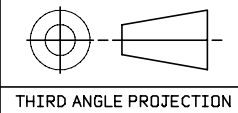
MATERIAL		DIMENSIONS IN	
MATERIAL THICKNESS		TOLERANCE (UNLESS OTHERWISE STATED)	
INTERNAL BEND RADIUS		DIMENSIONAL	
EXTERNAL B/A		CENTRES	
BEND DIE		ANGULAR	
DRAWN A.G.	DATE 8-6-93	MODEL 9100/9200	
CHECKED	DATE		
APPROVED	DATE		

Marshall

COPYRIGHT EXISTS ON THIS DOCUMENT. IT MUST NOT BE USED FOR ANY PURPOSE THAN THAT FOR WHICH IT IS SUPPLIED AND MUST NOT BE COPIED (IN WHOLE OR IN PART) WITHOUT WRITTEN PERMISSION FROM MARSHALL AMPLIFICATION PLC. DENBIGH ROAD, BLETCHLEY, MILTON KEYNES, MK1 1DG. TEL. (0908)375411 FAX (0908)376118

TITLE		ISSUE
CCT DIAG PSU PCB		
DWG.No	9100-61-02	

DWG.No. 9200-65-02



REF CIRCUIT DIAGRAM
9100-62-02

REF CIRCUIT DIAGRAM
9100-61-02

REF CIRCUIT DIAGRAM
9100-60-02

5	0725	27-10-94	D
4	0606	19-4-94	E
3	0502	16-12-93	F
ISS	ECO NUMBER	DATE	G

UNSPECIFIED HOLE DATA	
A	H
B	J
C	K
D	L
E	M
F	N
G	P

MATERIAL	
MATERIAL THICKNESS	
INTERNAL BEND RADIUS	
EXTERNAL B/A	
BEND DIE	
DRAWN	A.G.
DATE	13-9-93
CHECKED	DATE
APPROVED	DATE

DIMENSIONS IN	
TOLERANCE (UNLESS OTHERWISE STATED)	
DIMENSIONAL	
CENTRES	
ANGULAR	
MODEL	9200

Marshall

COPYRIGHT EXISTS ON THIS DOCUMENT. IT MUST NOT BE USED FOR ANY PURPOSE THAN THAT FOR WHICH IT IS SUPPLIED AND MUST NOT BE COPIED (IN WHOLE OR IN PART) WITHOUT WRITTEN PERMISSION FROM MARSHALL AMPLIFICATION PLC. DENBIGH ROAD, BLETCHLEY, MILTON KEYNES, MK1 1DQ. TEL (0908)375411 FAX (0908)376118

TITLE	
9100/9200 CCT DIAG	
DWG.No	ISSUE
9200-65-02	5