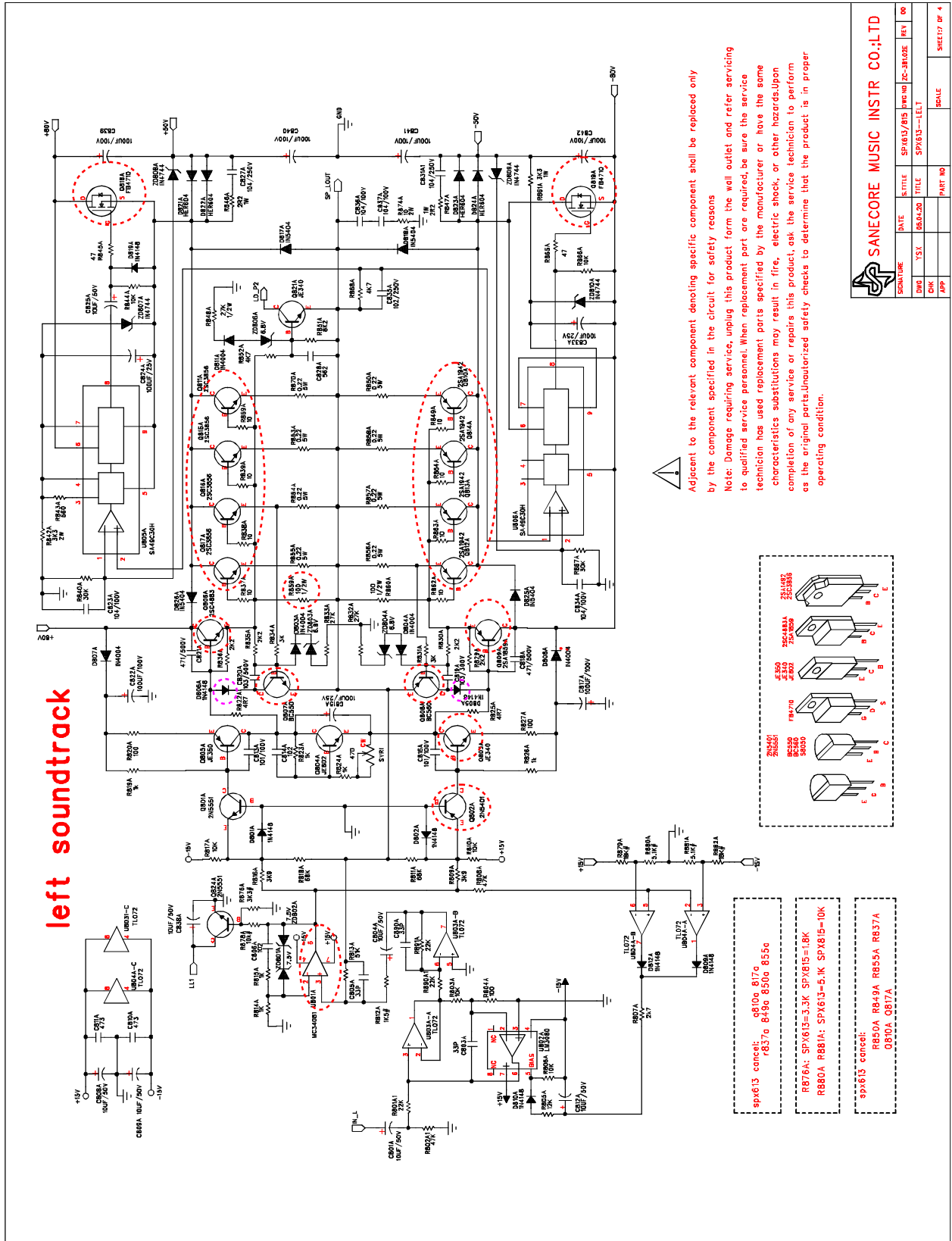


★ SCHEMATIC DIAGRAM

SPX613rev04.sch 4 - Wed Sep 28 15:58:32 2005

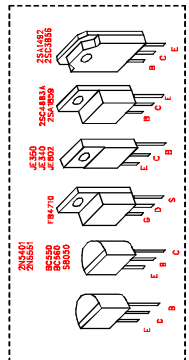
SPX815

left soundtrack



Adjacent to the relevant component denoting specific component shall be replaced only by the component specified in the circuit for safety reasons

Note: Damage requiring service, unless this product form the well outlet and refer servicing to qualified service personnel. When replacement part are required, be sure the service technician has used replacement parts specified by the manufacturer or have the same characteristics substitutions may result in fire, electric shock, or other hazards. Upon completion of any service or repairs this product, ask the service technician to perform as the original parts. Unauthorized safety checks to determine that the product is in proper operating condition.



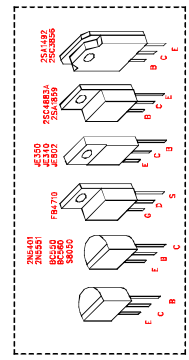
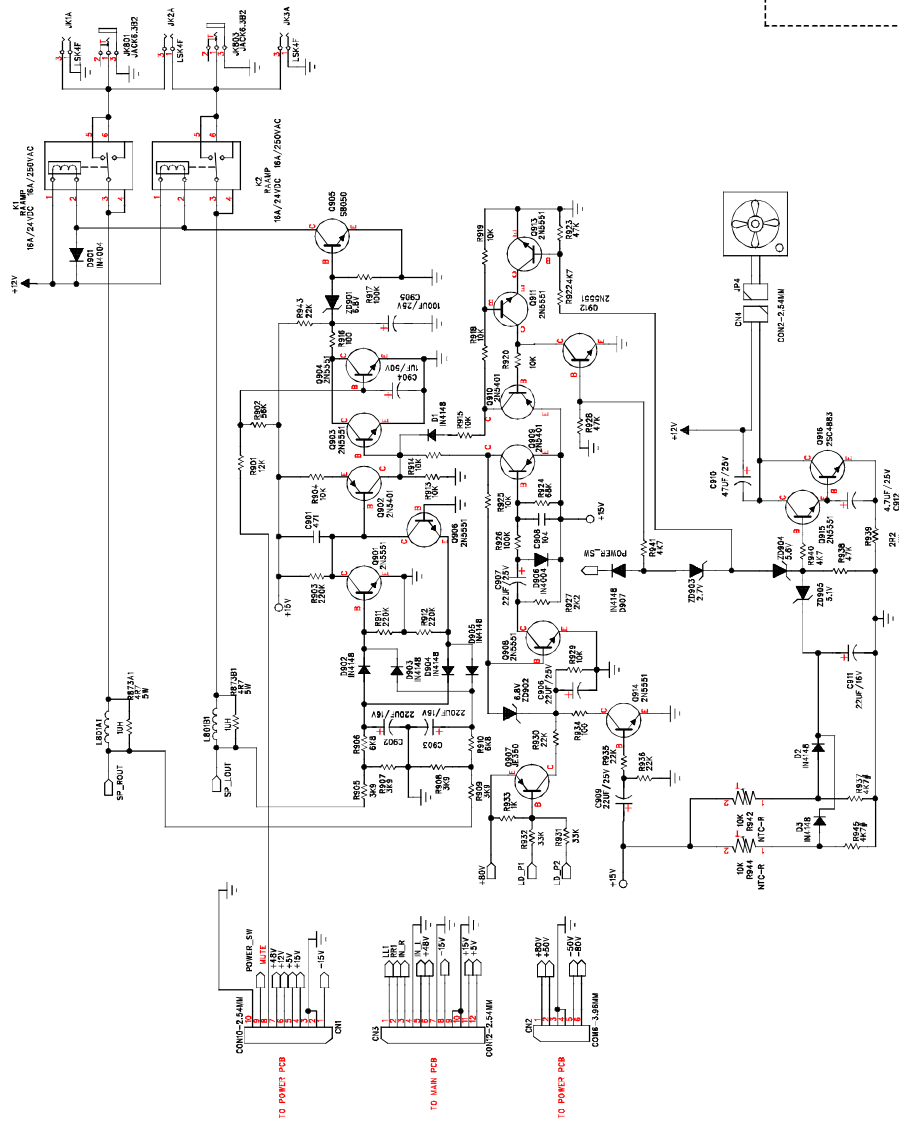
- SPX613 conact: 8105 8175 8376 8486 8506 8556
- RB76A: SPX613=3.3K SPX815=1.8K RB80A RB81A: SPX613=5.1K SPX815=10K
- SPX613 conact: RB80A RB80A RB85A RB87A 0810A 0817A

		DATE	REV	REV	REV
		SPX613/BIS	BIS	2C-JR002	00
SIGNATURE	DATE	TITLE	SHEET OF 4		
DWG	YSL	08.04.00	SPX613-1-LE1	SCALE	
CHK					
APP					

★ SCHEMATIC DIAGRAM

SPX613rev04.sch-6 - Wed Sep 28 15:45:01 2005

SPX815



SIGNATURE		DATE	IS TITLE	DESIGNED	DESIGNED	REV	00
DATE		05-06-05	TITLE	SPX613/815	CONTROL	SCALE	SHEET 7 OF 6
PART NO.		SCALE		PART NO.		SCALE	

SANECORE MUSIC INSTR CO., LTD