

**BEHRINGER**

PROJECT P0183  
EUROPOWER  
CHANNEL\_1

SHEET 1 OF 3 SHEETS TOTAL

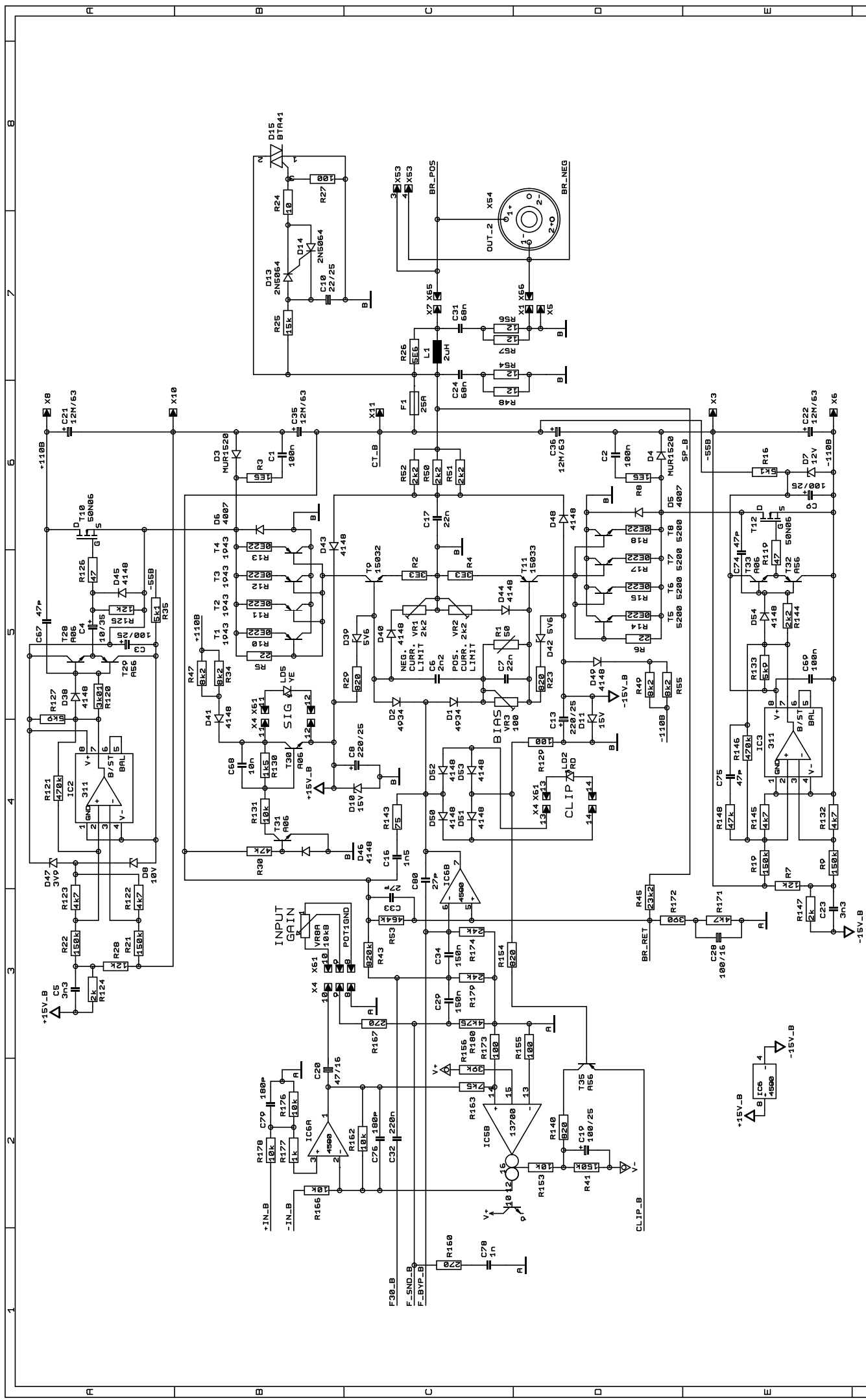
---

REVISIONS H (23/03/09)

REV	DATE	BY	CHECKED
	27.10.9		
	10:05		

DRAWN DF/SA

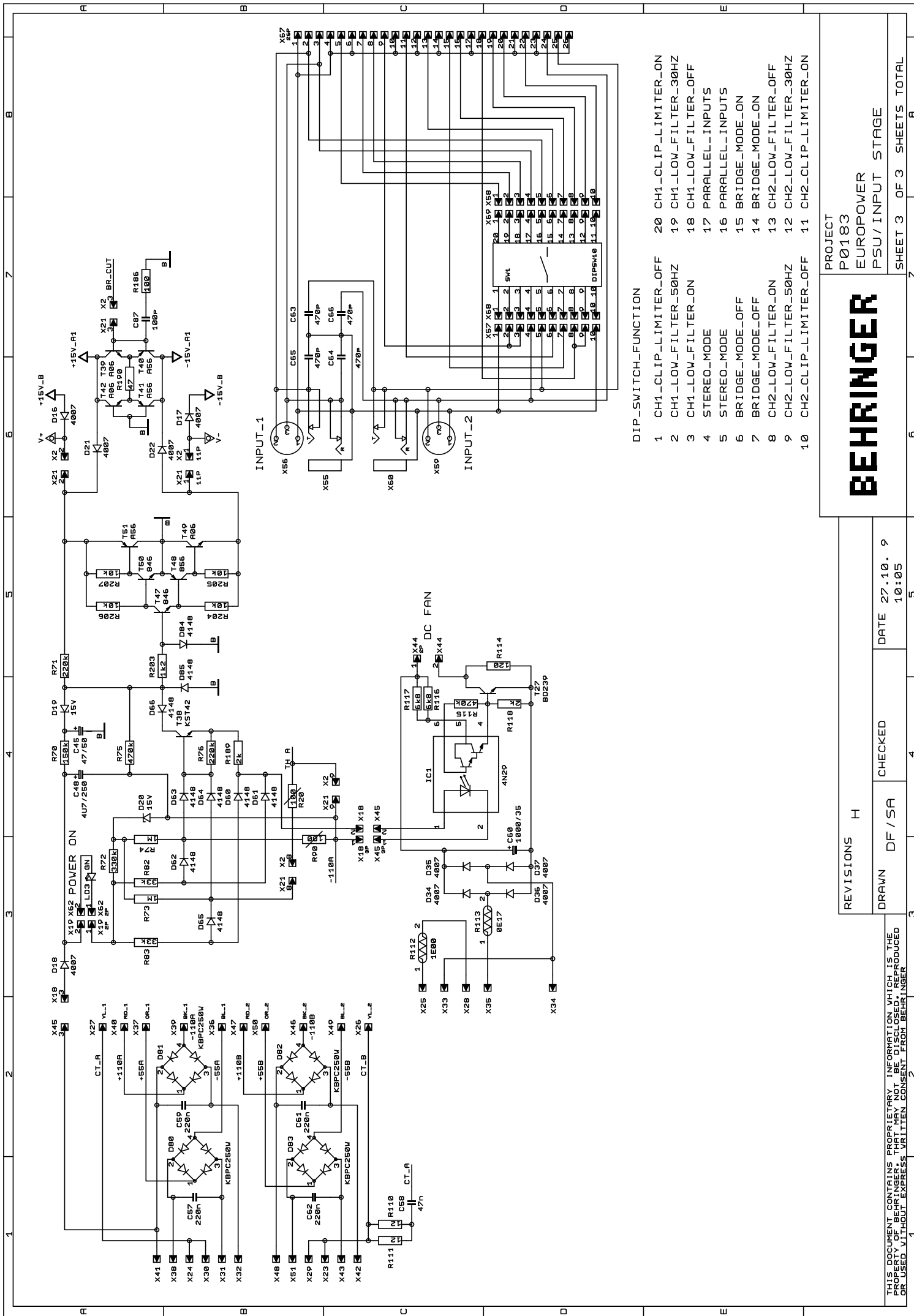
THIS DOCUMENT CONTAINS PROPRIETARY INFORMATION WHICH IS THE PROPERTY OF BEHRINGER. IT MAY NOT BE DISCLOSED, REPRODUCED OR USED WITHOUT EXPRESS WRITTEN CONSENT FROM BEHRINGER.



**BEHRINGER**  
 PROJECT P0183  
 EUROPOWER  
 CHANNEL\_2

REVISIONS H DRAWN DF / SA CHECKED	DATE 27.10. 9 10:05
SHEET 2 OF 3 SHEETS TOTAL	

THIS DOCUMENT CONTAINS PROPRIETARY INFORMATION WHICH IS THE PROPERTY OF BEHRINGER. IT MAY NOT BE DISCLOSED, REPRODUCED OR USED IN ANY MANNER WITHOUT EXPRESS WRITTEN CONSENT FROM BEHRINGER.



PROJECT  
P0183  
EUROPOWER  
PSU/INPUT STAGE  
SHEET 3 OF 3 SHEETS TOTAL

# BEHRINGER

REVISIONS	H	CHECKED	DATE	27.10.9
DRAWN	DF/SA	DATE	10:05	

THIS DOCUMENT CONTAINS PROPRIETARY INFORMATION WHICH IS THE PROPERTY OF BEHRINGER. IT MAY NOT BE DISCLOSED, REPRODUCED OR USED IN ANY MANNER WITHOUT EXPRESS WRITTEN CONSENT FROM BEHRINGER.