


- NOTES**
- 1) CAUTION: SHOCK HAZARD!! THIS UNIT CONTAINS HAZARDOUS VOLTAGE. DISCONNECT POWER AND BE SURE POWER SUPPLY IS DISCHARGED BEFORE TOUCHING INTERNAL PARTS.
 - 2) UNLESS NOTED, RESISTOR VALUES IN OHMS, 1/4W-5% TOL. CAPACITOR VALUES IN MICROFARADS, 50V-10% TOL.
 - 3) VOLTAGES ARE MEASURED WITH 1 MEGOHM OSCILLOSCOPE AND 10 MEGOHM DIGITAL VOLTMETER.
 - 4) CHASSIS GROUND ∇ DIRTY GROUND ∇ SIGNAL GROUND ∇

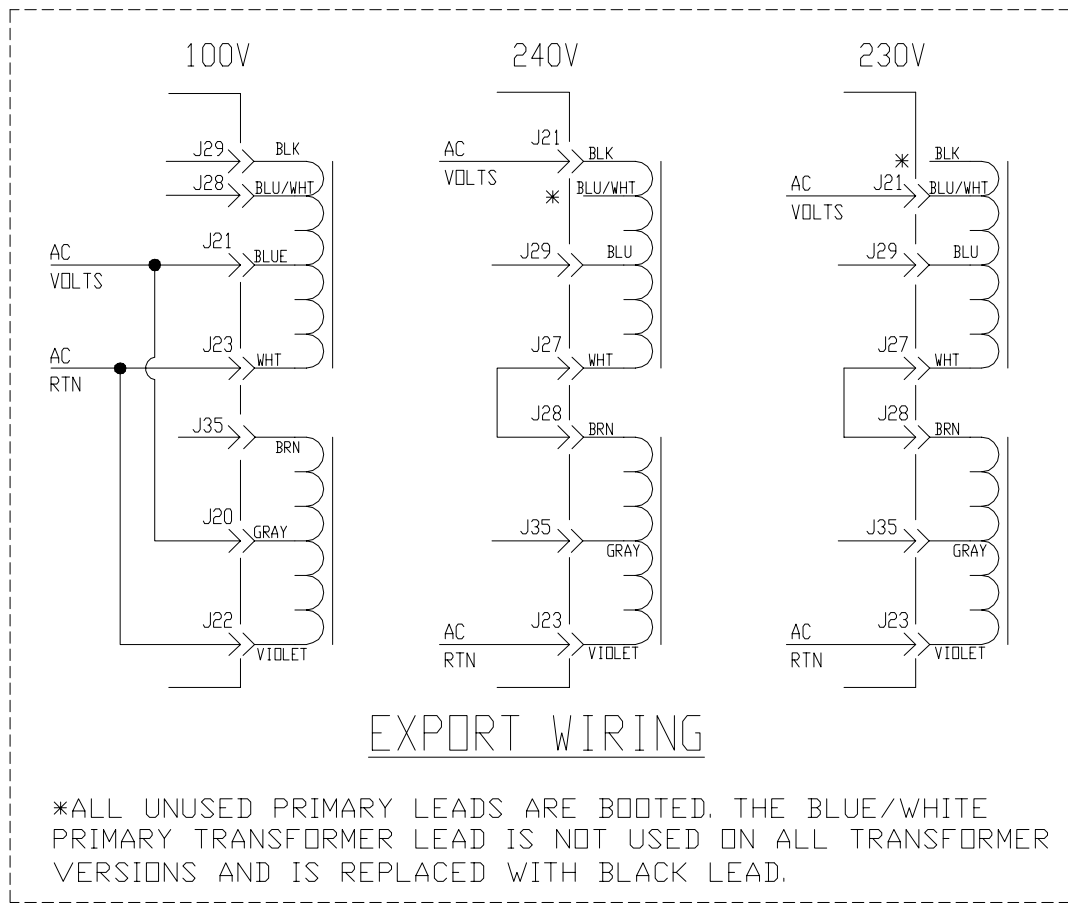
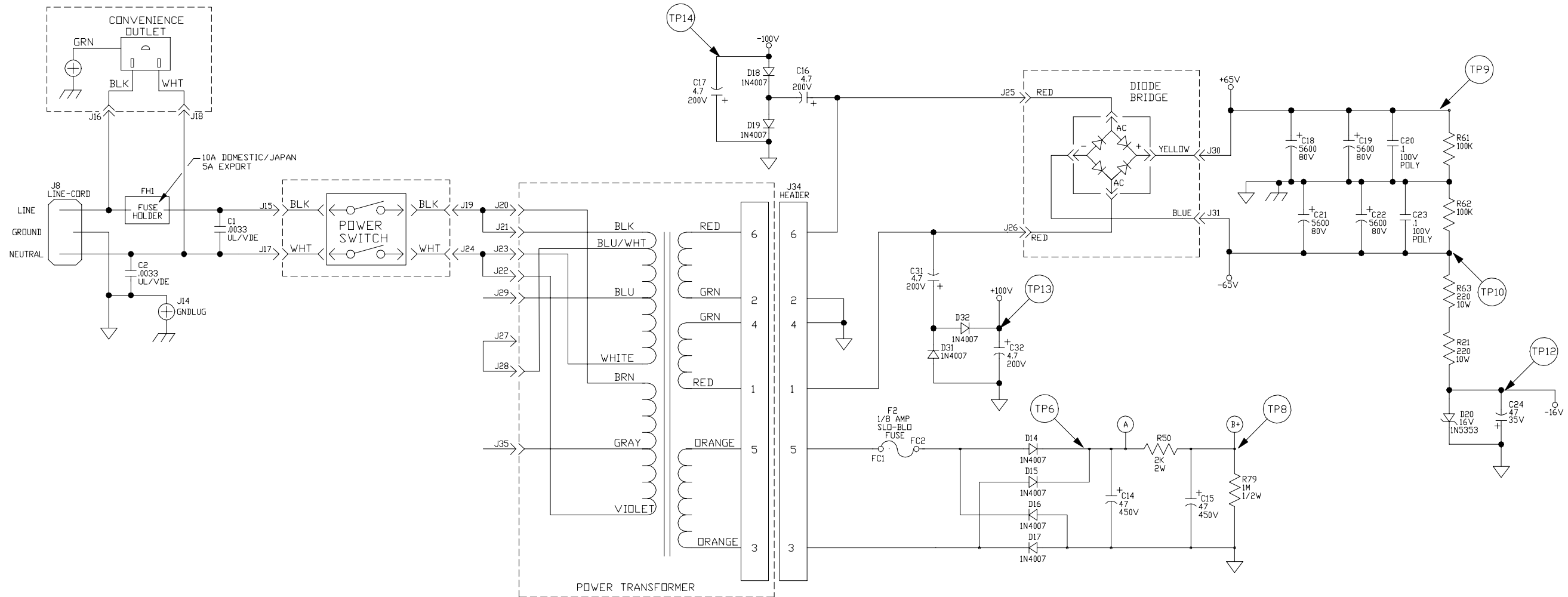
CAUTION:
 THIS SCHEMATIC IS PROVIDED FOR USE BY QUALIFIED PERSONNEL. TO AVOID RISK OF ELECTRIC SHOCK, REFER SERVICING TO QUALIFIED SERVICE PERSONNEL. DO NOT PERFORM ANY SERVICING BEYOND THAT EXPLAINED IN THE OPERATING INSTRUCTIONS.

REV	DATE	BY	CHK'D	DESCRIPTION
15	6/25/98	WFB		ADDED BLUE/WHT WIRE TO XFRMR PER E980015
1	08/03/93	SWR		REVERSED PINS 1 & 2 OF J10 & FAN.
2	11/23/93	ERW		CHANGES TO SHEET 2 OF 3
3				
4	05/16/94	LMA		REV CHANGE ONLY TO REFLECT PICTORIAL
5	01/03/95	ERW		CHANGED VALUE OF C27, R13, R28-31 & R40-43.
8	05/20/96	LMA		CHG REV TO REFLECT PICT PER E950030
9	08/14/96	LMA		REV CHG TO REFLECT PICT PER C.O
10	09/10/96	SWR		ADDED GOOP DRAWING TO PICTORIAL (SHT 3 OF 3) PER DCO #960354.
11	NOT USED			
12	11/13/96	REM		CHG'D REV TO MATCH PICT PER E960449.
13	09/10/97	SWR		CHANGED EXPORT TRANSFORMER WIRING ON SHEET 3 OF 3. PER ECO #970400.
14	5/14/98	REM		RADIAL CONVERSION PER E970587 & 980015

SIGNATURES:		DATE:	 11880 BORMAN DR. ST. LOUIS, MISSOURI 63146
DRAWN:	ERW	04/05/93	
CHK'D:			
APP'D:			
ORIGINAL ISSUED:			
PROJECT NAME:		SVT-3 PRO	
DRAWING NAME:		PWR. AMP SCHEMATIC	
PLOT DATE:	07/28/98	DRAWING NO.:	07S426-01
PLOT TIME:	09:16:47	SCALE:	1:1
FILE NAME:	42601HN_	SHEET:	1 OF 3

15	6/25/98	WFB		ADDED BLUE/WHT WIRE TO XFRMR PER E980015
----	---------	-----	--	--

POWER SUPPLY



SEE SHT 1 FOR REV HISTORY

SIGNATURES:		DATE:	11880 BORMAN DR. ST. LOUIS, MISSOURI 63146
DRAWN: ERW		04/05/93	
CHK'D:		PROJECT NAME: SVT-3 PRO	
APP'D:		DRAWING NAME: PWR. AMP SCHEMATIC	
ORIGINAL ISSUED:		PLOT DATE: 07/30/98	DRAWING NO. 07S426-01
PLOT TIME: 09:16:47		FILE NAME: 42601HN_	REV. 15
SCALE: 1:1		SHEET: 3 OF 3	