

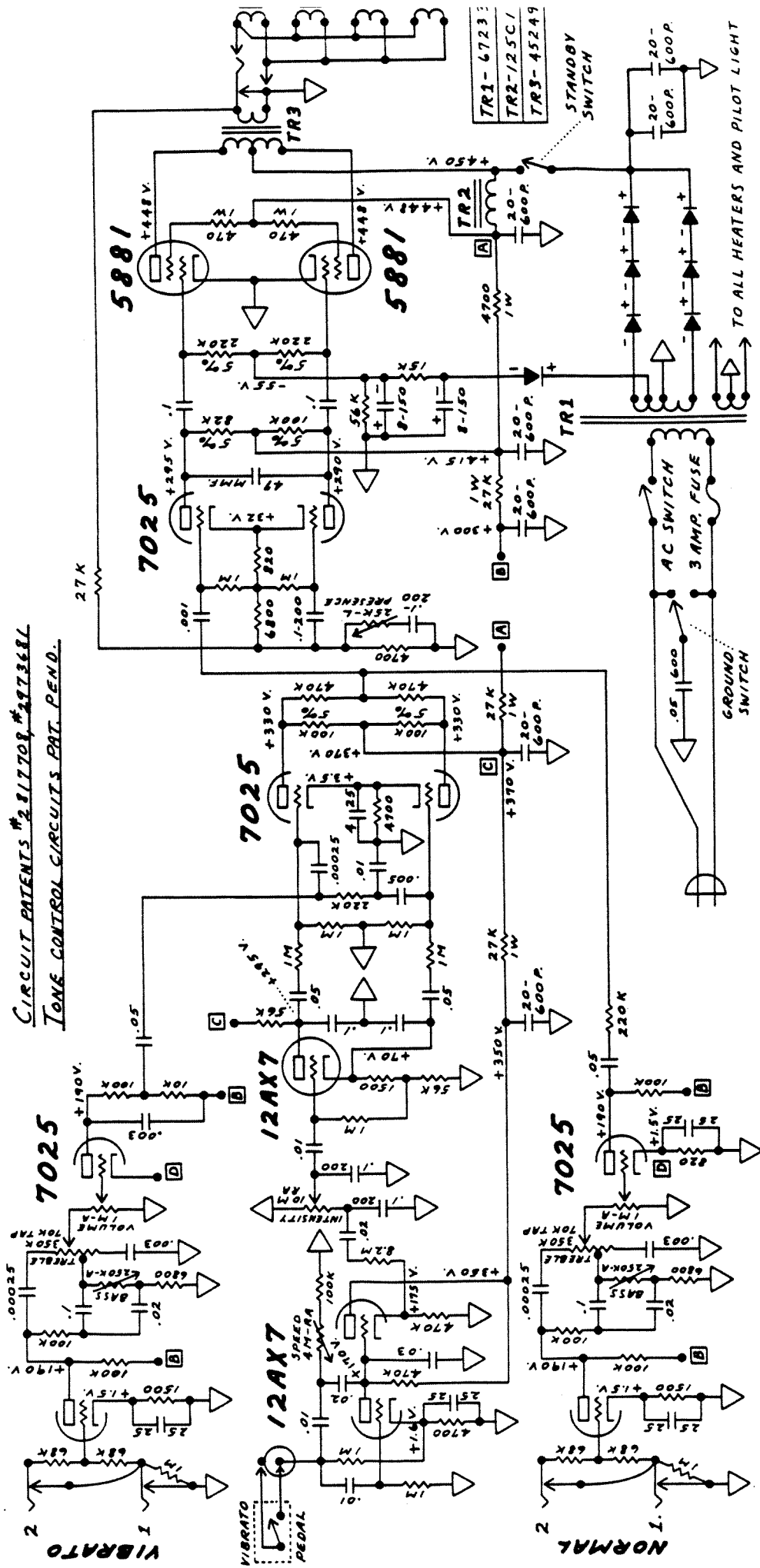
FENDER "CONCERT" SCHEMATIC MODEL 6612-A

NOTICE

- 1- VOLTAGES READ TO GROUND WITH ELECTRONIC VOLTMETER. VALUES SHOWN + OR - 20% TOLERANCE IF NOT SPECIFIED
- 2- ALL RESISTORS 1/2 WATT, 10% TOLERANCE IF NOT SPECIFIED
- 3- ALL CAPACITORS AT LEAST 400 VOLT RATING IF NOT SPECIFIED

CIRCUIT PATENTS #2817709, #2973681
TONE CONTROL CIRCUITS PAT. PEND.

K-F-J



TO ALL HEATERS AND PILOT LIGHT

