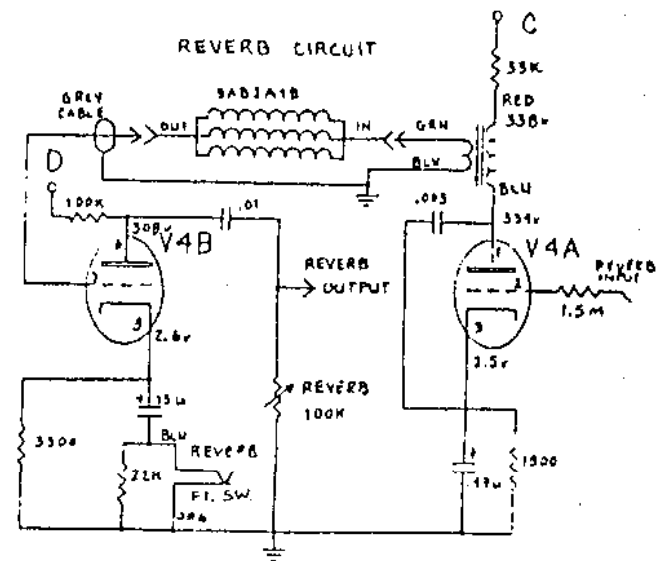
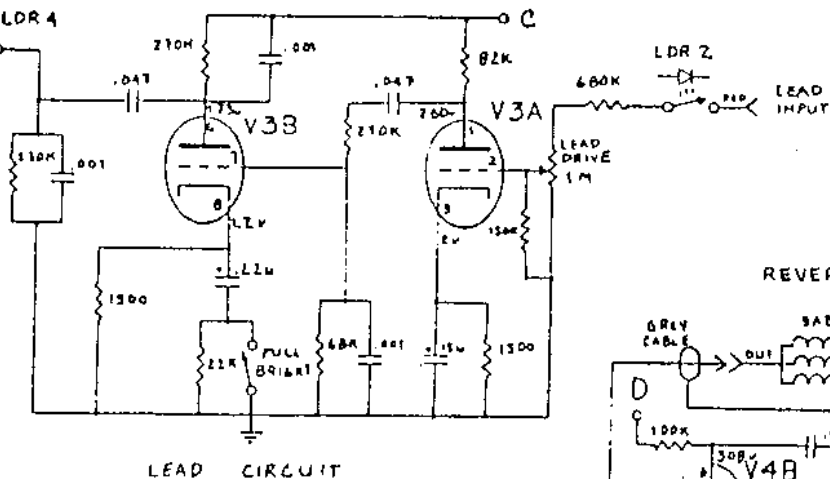
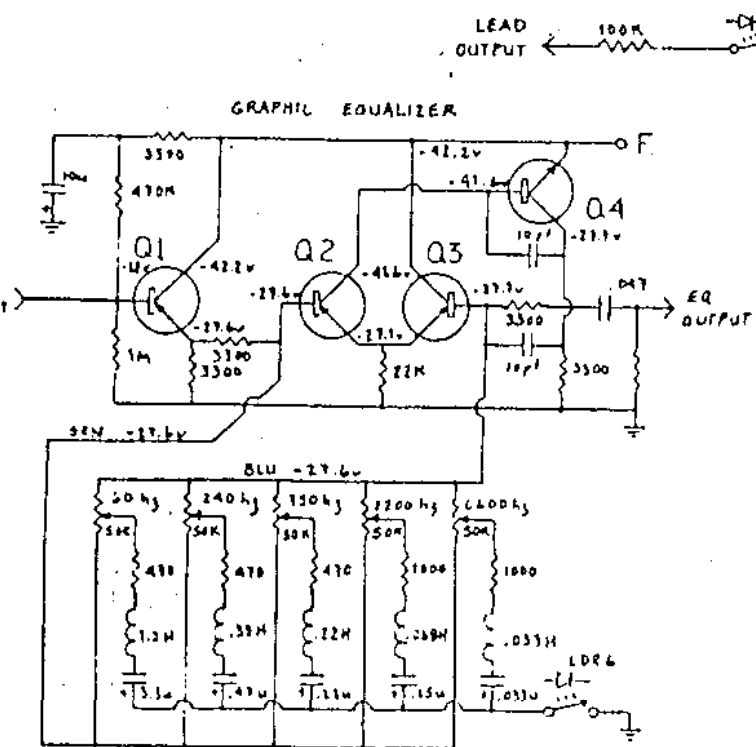
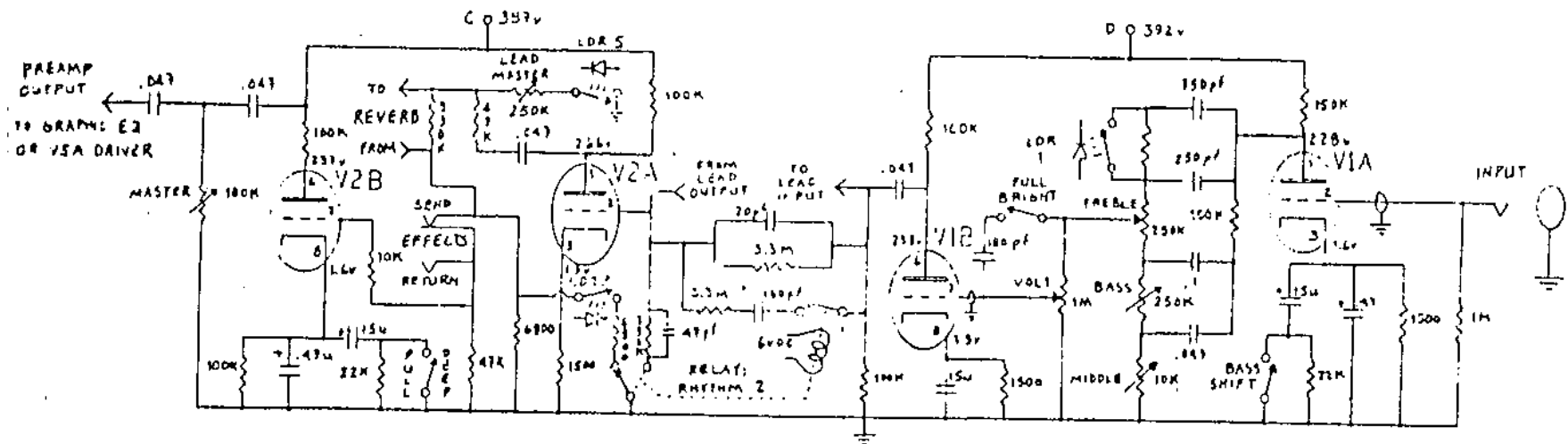
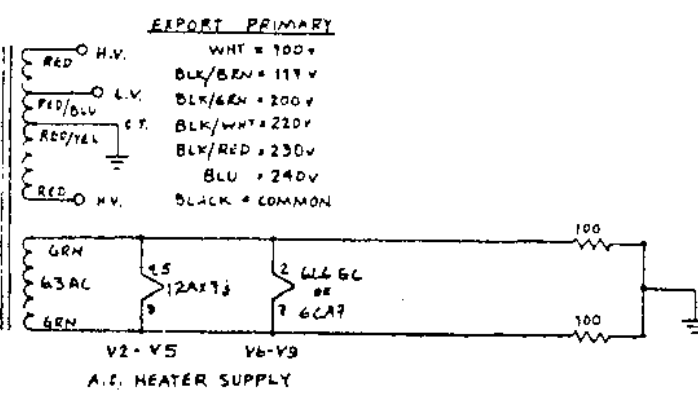
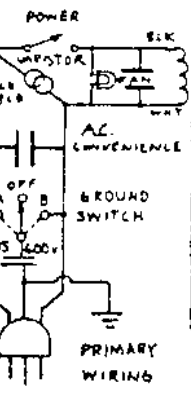
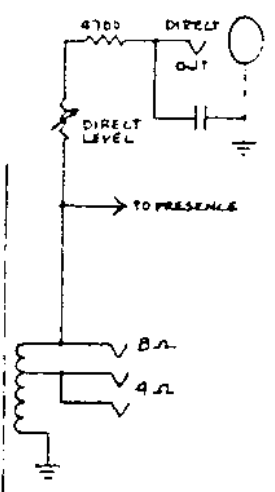
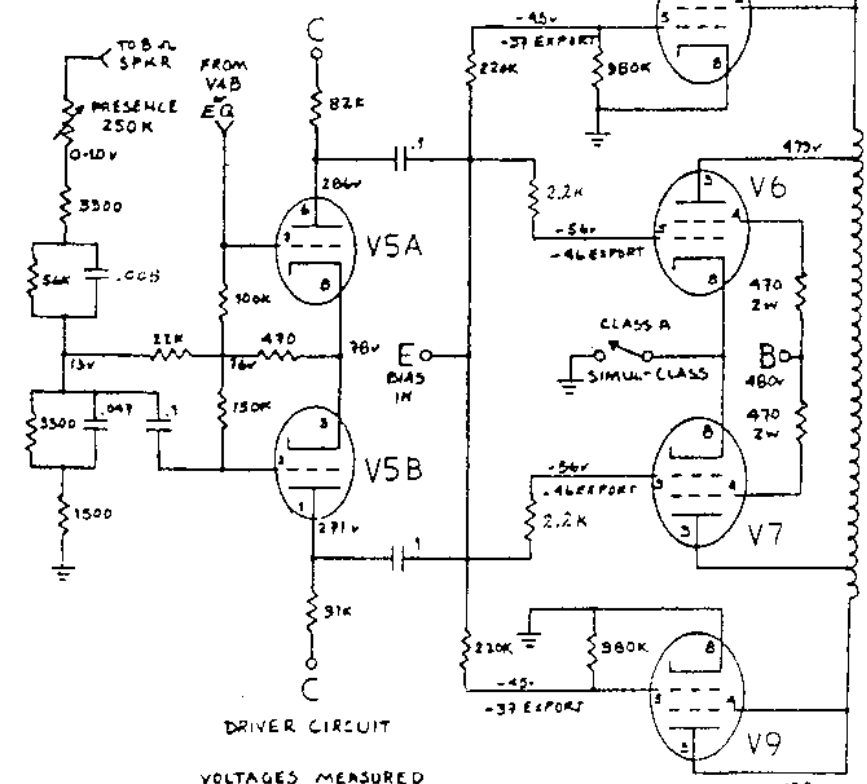
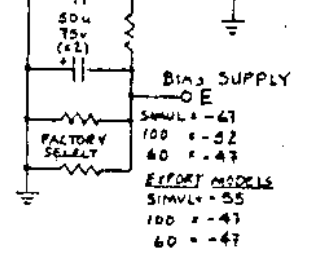
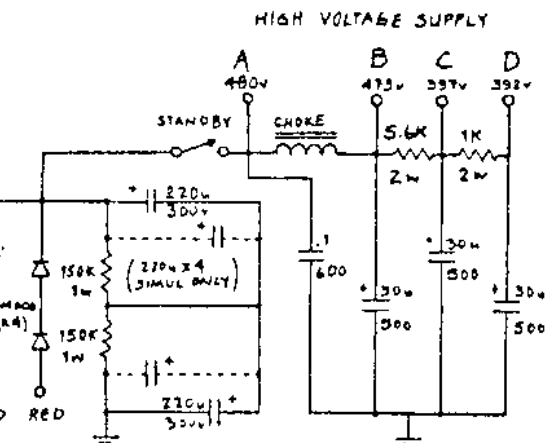
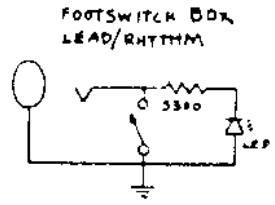
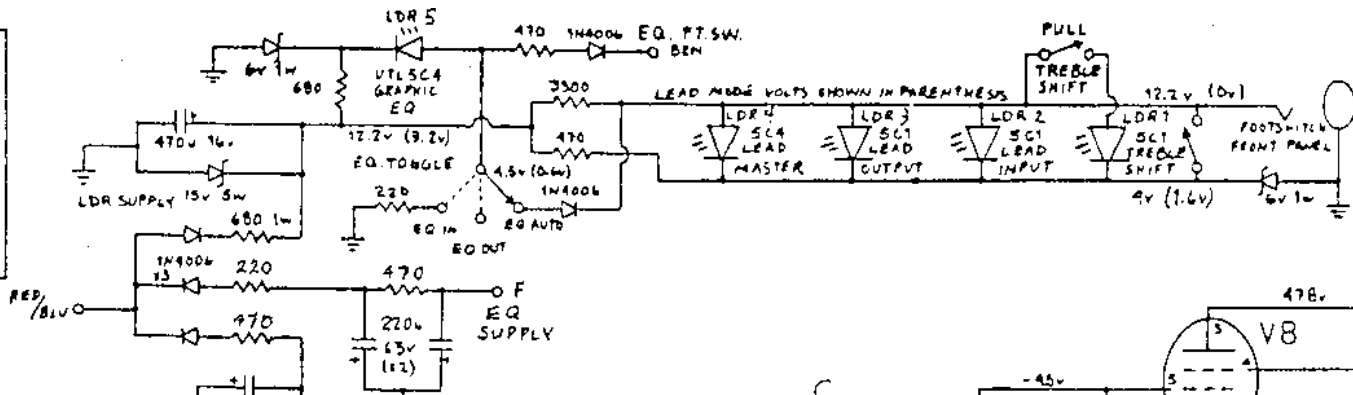
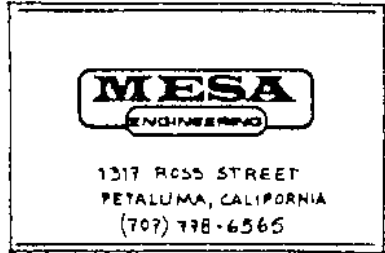


TRI-MODE PROGRAMMABLE PREAMPLIFIER



NOTICE: INFRINGERS BEWARE!

This design and circuit is protected under U.S. Patent 4,211,893 and others world-wide. It has been successfully prosecuted against infringers who have paid very large fines and/or been forced out of business!



DRIVER CIRCUIT
VOLTAGES MEASURED @ 117 A.C. MAIN
D.C. VOLTAGES MAY VARY ±20%

SIMUL-CLASS™ IS A REGISTERED TRADE MARK U.S. & WORLDWIDE.
SIMUL-CLASS™ POWER DESIGN MAY USE MESA TYPES STRA15 6L6 GC OR STRA16 6CA7/EL34 IN V8 & V9 SOCKETS
PATENTS ISSUED, PENDING AND APPLIED FOR, U.S. & WORLDWIDE FOR SIMUL-CLASS™