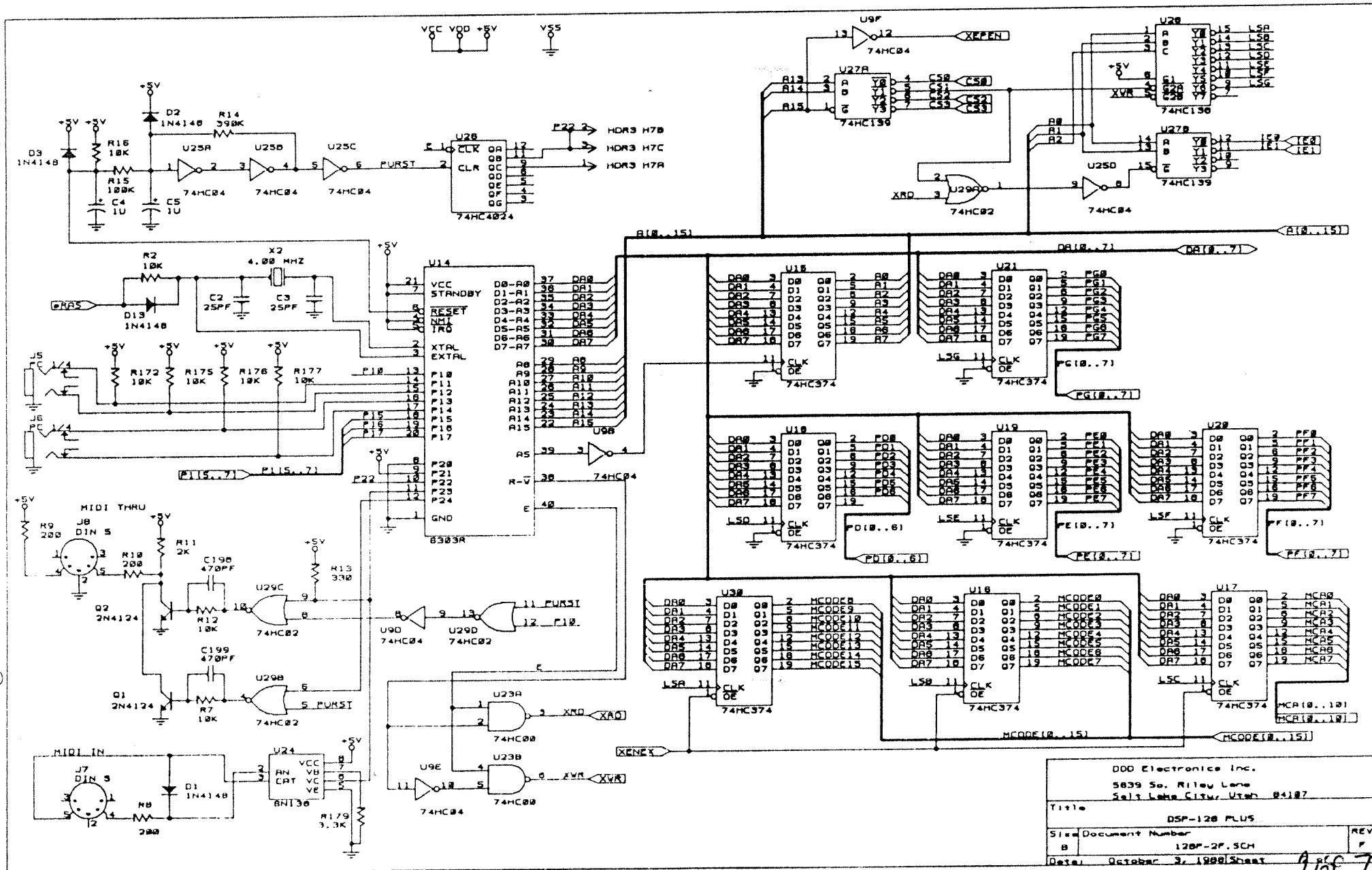
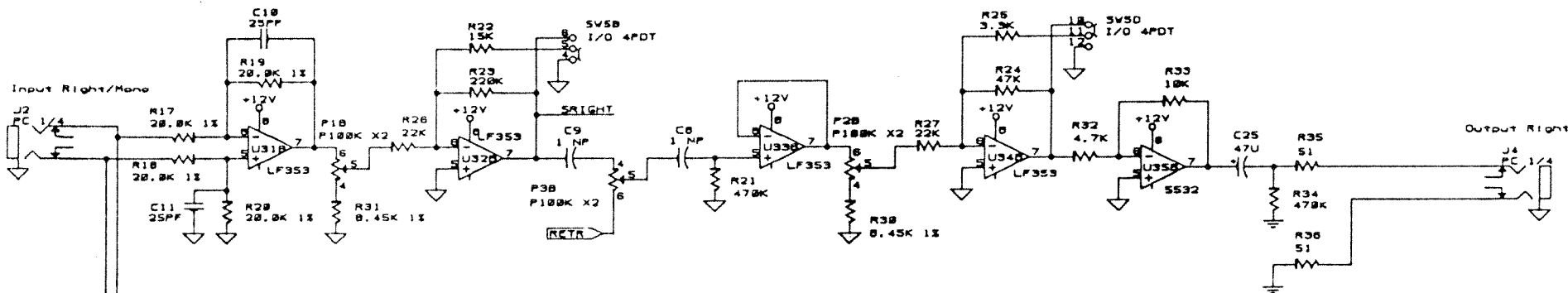


DDD Electronics Inc.
 5639 So. Riley Lane
 Salt Lake City, Utah 84107
 Title: DSP-128 PLUS
 Size: Document Number: 128PM-14.501
 Date: October 30, 1986



DDD Electronics Inc.
 5839 So. Riley Lane
 Salt Lake City, Utah 84127
 Title DSP-128 PLUS
 Size Document Number 128P-2P.SCH
 Date: October 2, 1998 Sheet 2 of 7

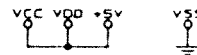
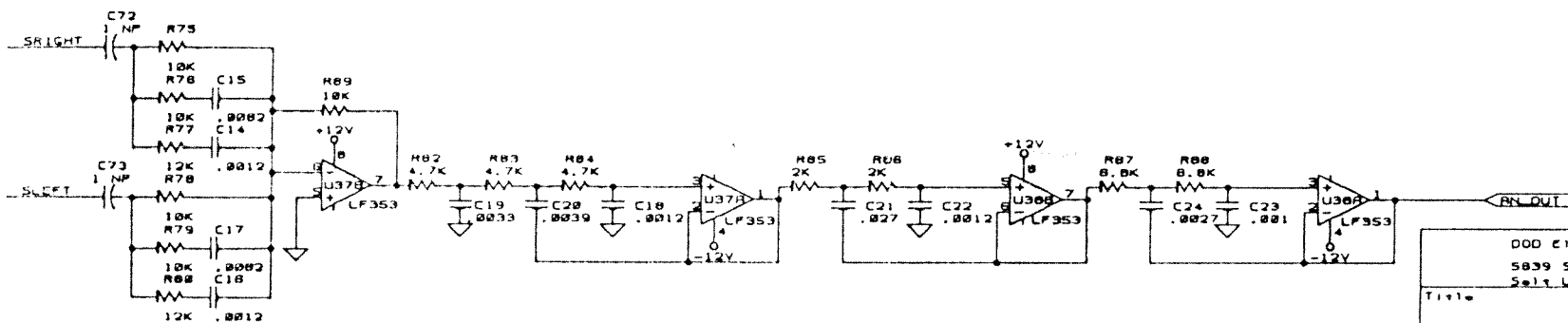
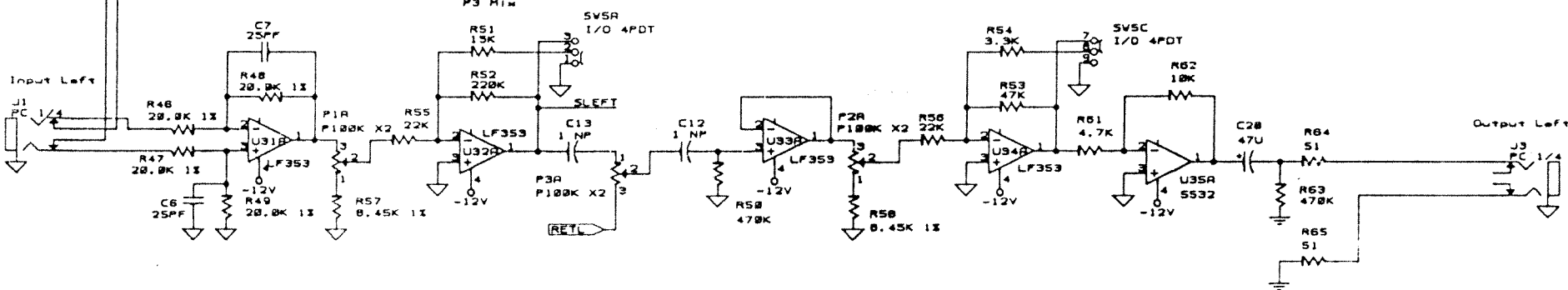


P1 Input level

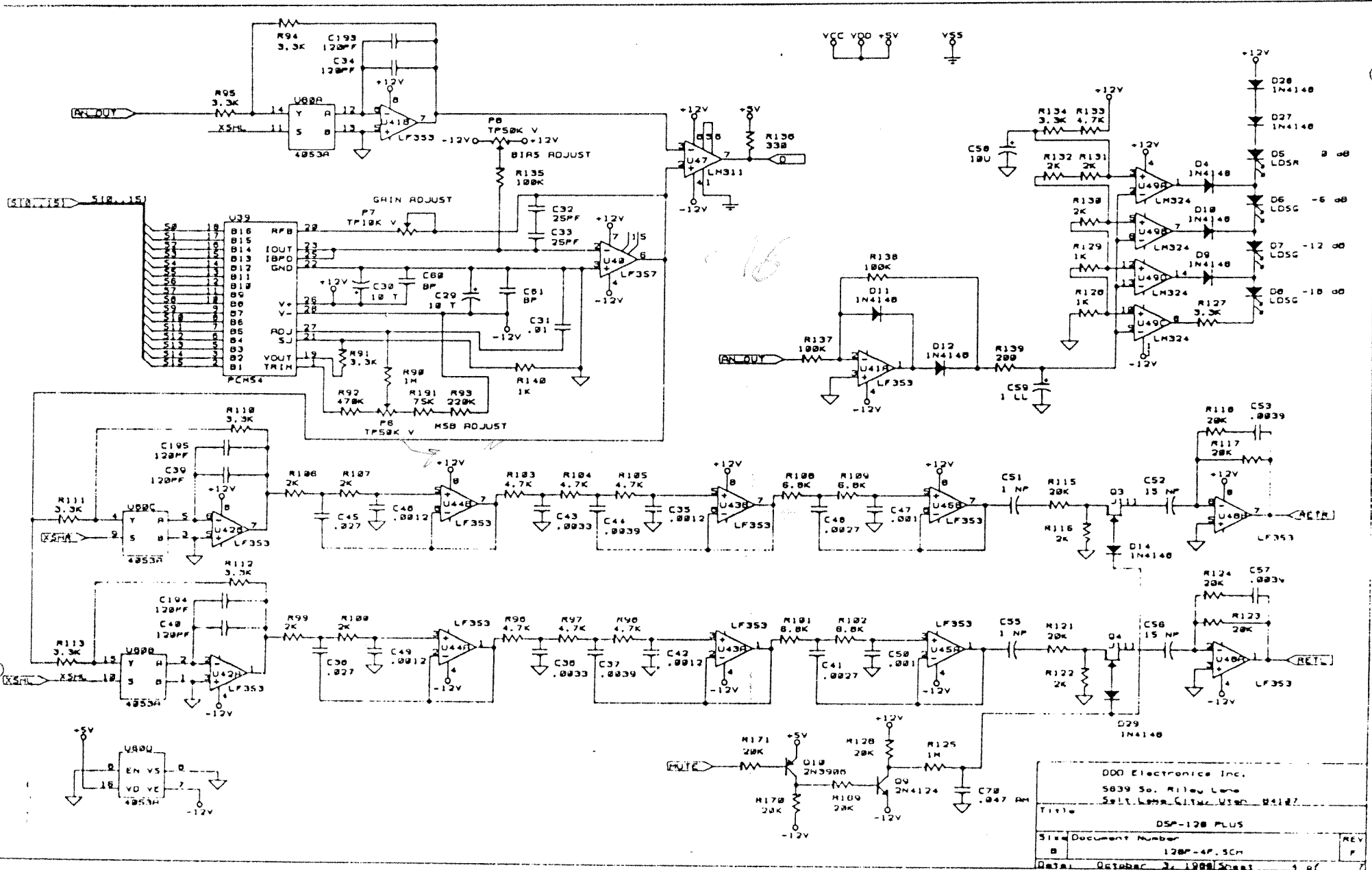
SV5 Input +/-10dB
P3 Min

P2 Output level

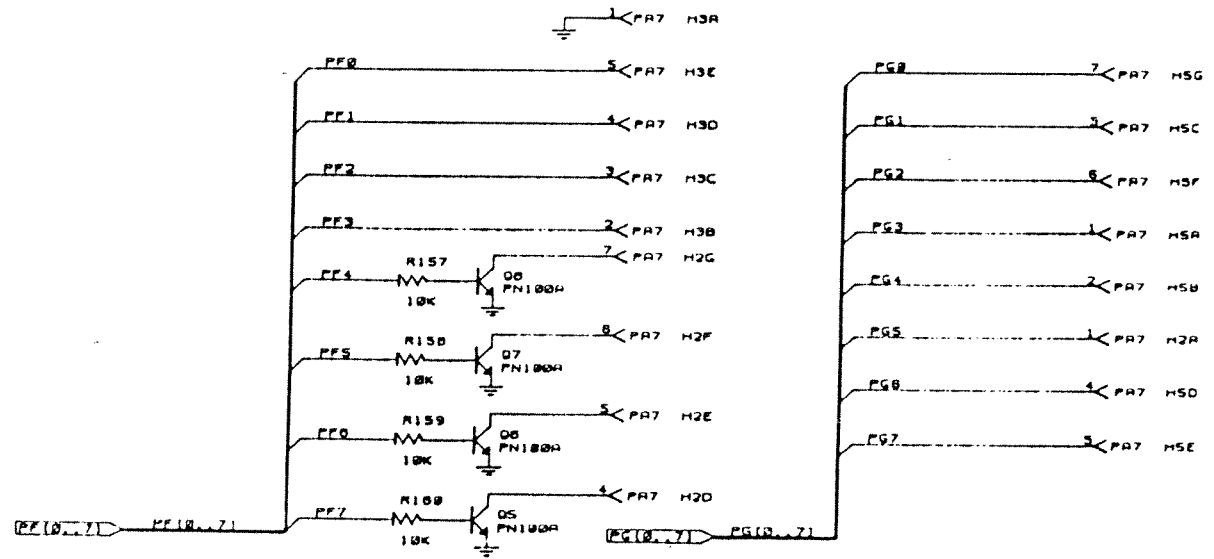
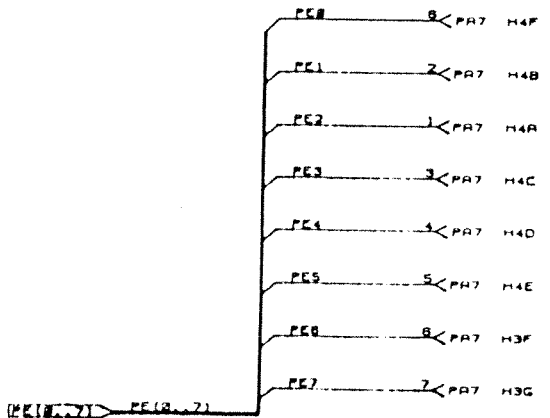
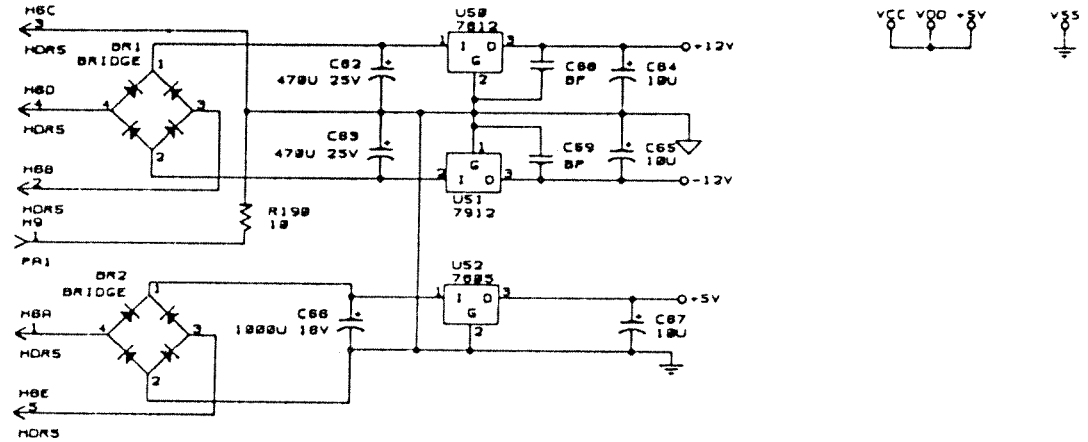
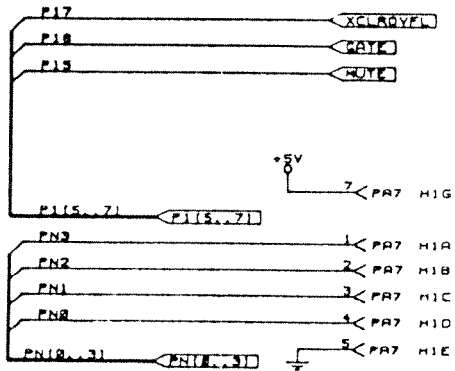
SV8 Output +/-10dB



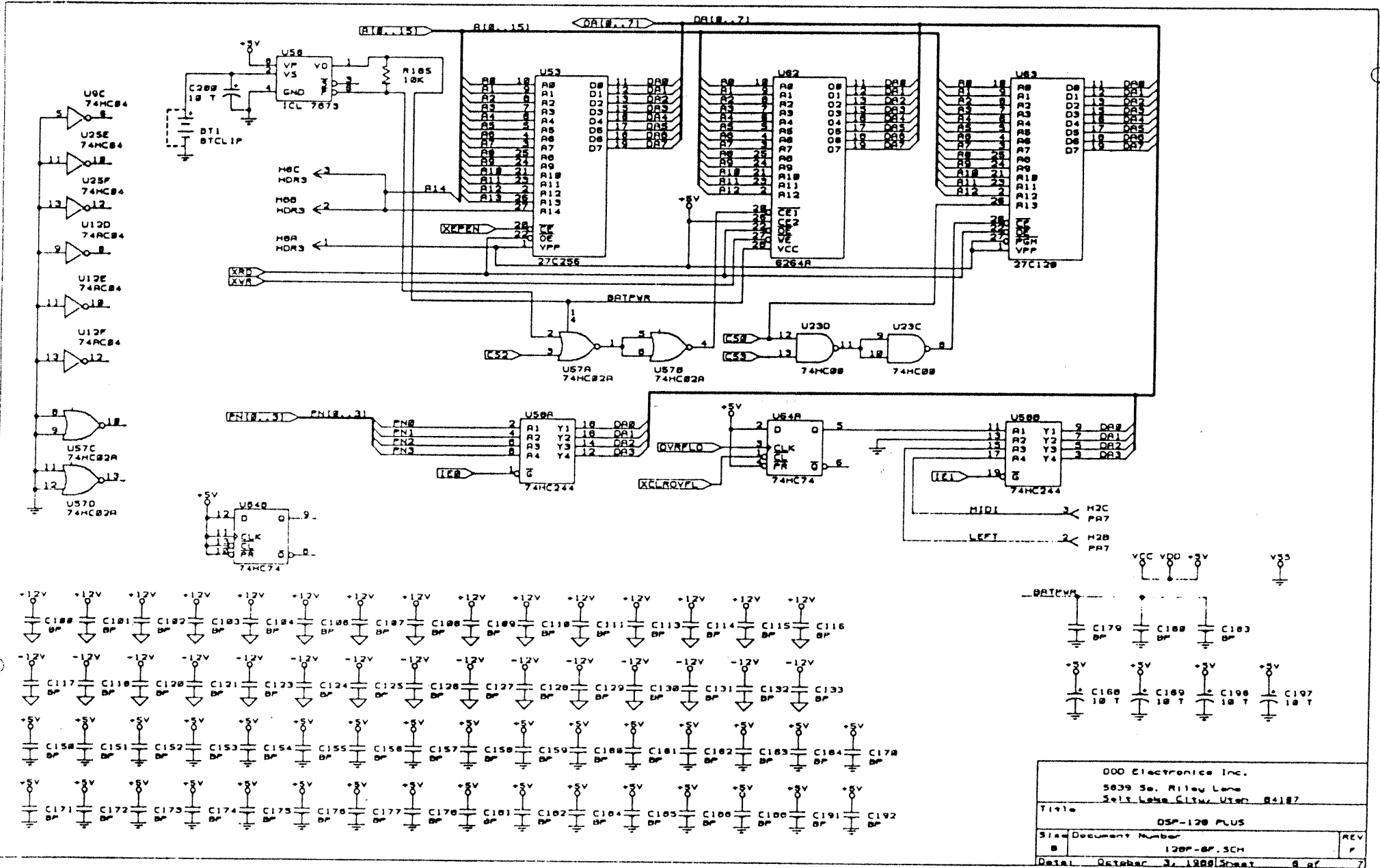
DOD Electronics Inc. 5839 So. Riley Lane Salt Lake City, Utah 84107		
Title	DSP-128 PLUS	
Doc Number	120P-3F.SCH	REV
Date	October 3, 1988	F



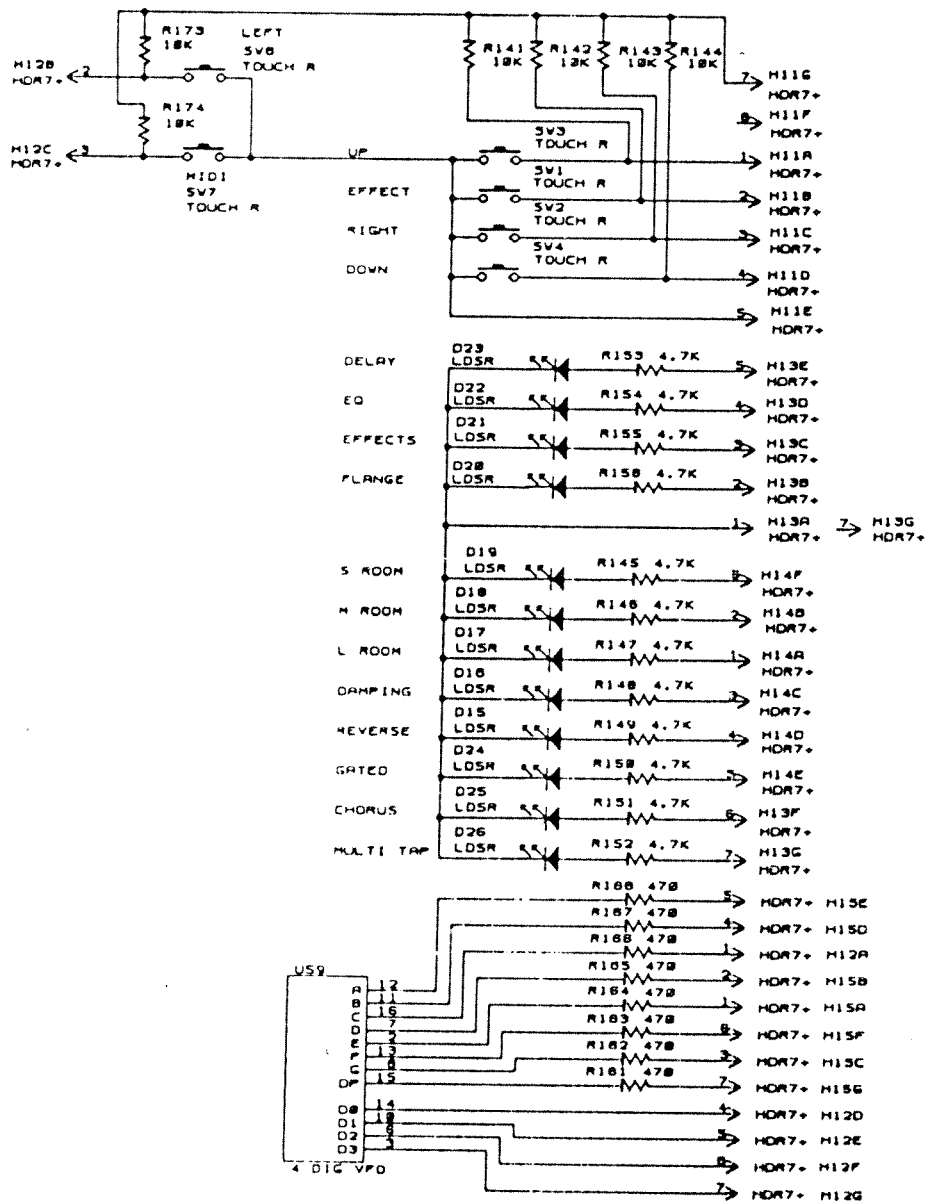
DDD Electronics Inc. 5839 So. Riley Lane Salt Lake City, Utah 84127		
Title	DSP-128 PLUS	
Sheet Document Number	128P-4P.5CM	REV P
Date	October 2, 1988	Sheet 1 of 7



DDD Electronics Inc. 5839 So. Riley Lane Salt Lake City, Utah 84147		
Title		
DSP-120 PLUS		
Size	Document Number	REV
B	120P-SF.SCH	P
Date	October 27, 1988	Sheet 5 of 7

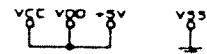


DOO Electronics Inc.	
5839 So. Riley Lane	
Salt Lake City, Utah 84117	
Title	
DSF-1200 PLUS	
Sheet Document Number	REV
B	F
Date: October 31, 1988	



NOT USED
 C26-27
 C54
 C71
 C74-99
 C112
 C119
 C134-149
 C185-187
 C187
 C109-198
 F4-5
 R4-6
 R28-29
 R37-45
 R59-88
 R88-74
 R114
 R119-128
 R170
 R180-184
 R186-189
 U22
 U38
 U48
 US4-55
 U81

LAST REF.
 C100
 D29
 H9
 J8
 P8
 Q18
 R191
 SV7
 U84



DDD Electronics Inc. 5839 So. Riley Lane Salt Lake City, Utah 84127		
Title DSP-128 PLUS		
Size	Document Number	REV
D	128P-7P.5CH	F
Date	October 2, 1998	Sheet 7 of 7