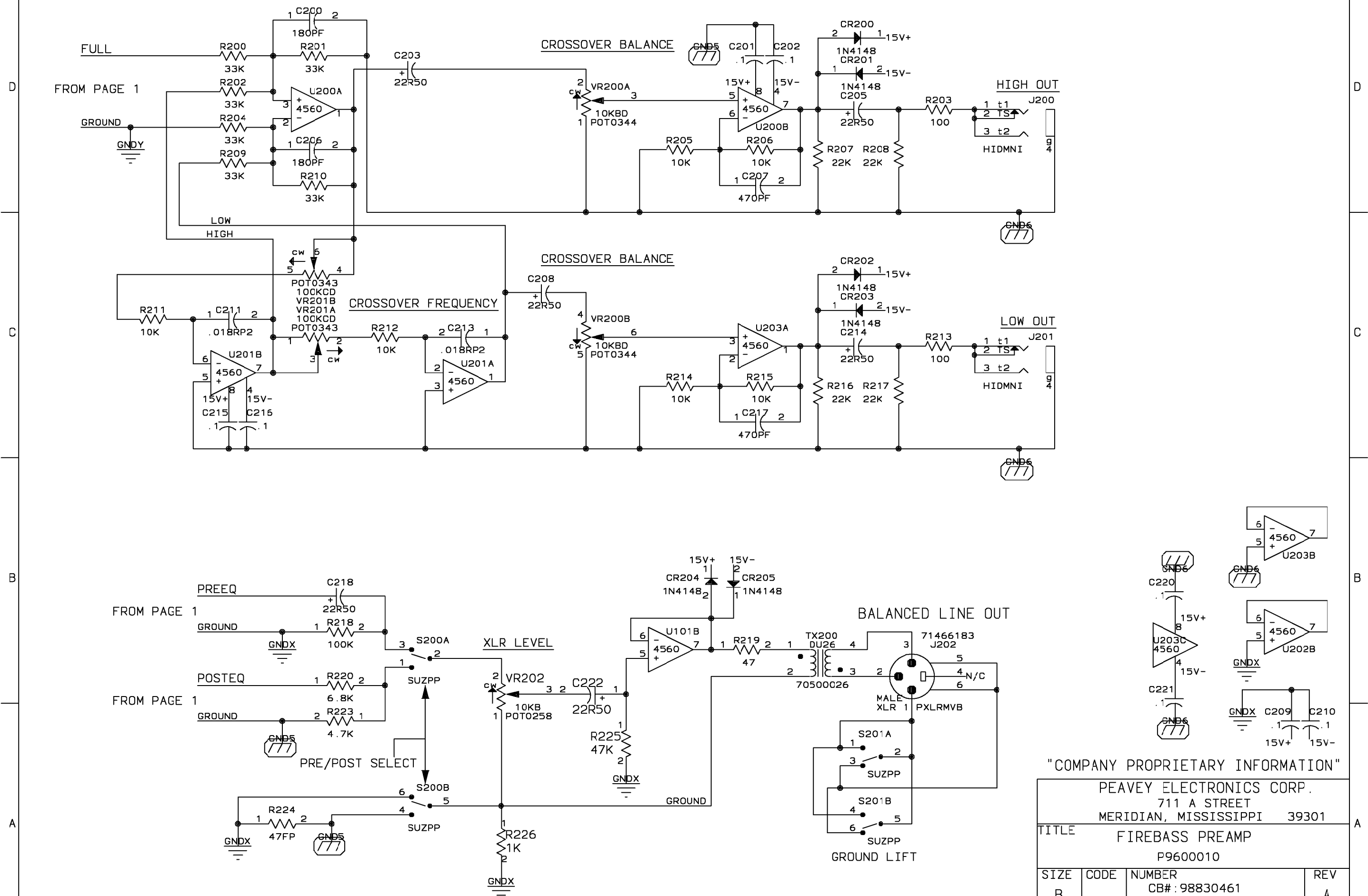
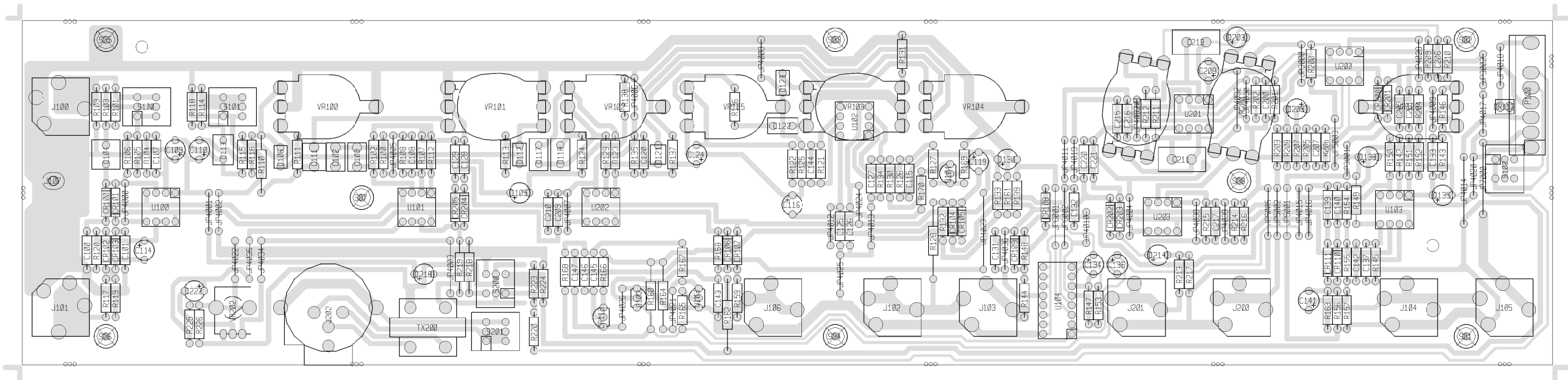


NOTE HIGHEST REF R226 C222 VR202 CR205 S201 J202 U203



"COMPANY PROPRIETARY INFORMATION"

PEAVEY ELECTRONICS CORP. 711 A STREET MERIDIAN, MISSISSIPPI 39301			
TITLE FIREBASS PREAMP P9600010			
SIZE B PRINT	CODE	NUMBER CB#: 98830461 ASSY#: 99030463	REV A
DATE 16-AUG-2001		SHEET 2 OF 2	



FireBass Preamp

B I L L O F M A T E R I A L S R E P O R T

BOARD NAME: FIREBASS

REPORT DATE: 17AUG01

ASSEMBLY LEVEL NUMBER: 99030463
 HUGHES/BKING

DESIGNER: FREDDIE EAVES / J.T.

PROJECT NUMBER: P9600010

CBDS

PART	PART	DESCRIPTION AND	
** QTY. NAME	VALUE	NUMBER	DEVICE DESIGNATIONS *****
1	98830461	98830461	98830461 PCB
2	.0033M	.0033M	70330130 .0033M 5% 50vdc my T&A
			C106, C112
1	.0047M	.0047M	70330116 .0047 MFD 50VDC 5% MY T&A
			C123
1	.0068M	.0068M	70330117 .0068mf---5%---50vdc---my---t&a
			C121
1	.01	.01	70340011 .01MF-----10%-----50VDC----T/C----T&R

C132

1 .018M .018M 70330126 .018M 5% 50vdc my T&A

C122

2 .018RP2 .018RP2 70330139 .018MF-----2%-----50VDC-----PP-----T&A

C211, C213

1 .033M .033M 70330115 .033 MFD 50VDC 5% MY T&A

C113

2 .068M .068M 70330124 .068M 5% 50vdc my T&A

C117, C118

21 .1 .1 70340100 .1MF-----+80-20%--50VDC-----AXL-----T&R

C100, C101, C125, C126, C128, C129,
C131, C139, C140, C143, C145, C146,
C147, C201, C202, C209, C210, C215,
C216, C220, C221

2 .33RP2 .33RP2 70330145 .33MF-----2%-----50VDC-----PP-----T&A

C102, C103

1	.47SF2	.47SF2	70330148	.47MF 5% 100VDC SF T&A
				C111
1	.82M	.82M	70330122	.82mf 5% 50vdc my T&A
				C104
3	100	100	70240010	100---1/4W--5%----CF--T&R
				R146, R203, R213
4	100K	100K	70240034	100K--1/4W--5%----CF--T&R
				R118, R158, R165, R218
4	100PF	100PF	70340054	100PF-----10%-----50VDC-----T/C-----T&R
				C107, C115, C127, C133
25	10K	10K	70240025	10K---1/4W--5%----CF--T&R
				R105, R110, R111, R112, R119, R120, R121, R122, R124, R125, R127, R130, R132, R133, R135, R160, R164, R169, R170, R205, R206, R211, R212, R214, R215
4	15K	15K	70240027	15K---1/4W--5%----CF--T&R

R100, R102, R113, R129

3 180PF 180PF 70340056 180PF-----10%-----50VDC-----T/C-----T&R

C144, C200, C206

1 187SOWBD 70900935 70900935 SPACER, .187 (#4), .187 SWAGE BRASS

SO5

7 187SOWD 70900924 70900924 SPACER, .187 R, (#4), .187 SWAGE ALUM.

SO1, SO2, SO3, SO4, SO6, SO7, SO8

2 1K 1K 70240017 1K----1/4W--5%-----CF--T&R

R159, R226

2 1M 1M 70240039 1M----1/4W--5%-----CF--T&R

R109, R166

18 1N4148 4148 70464148 1N4148 75V 10MA SILICON DIODE

CR100, CR101, CR102, CR103, CR104,
CR105, CR106, CR107, CR108, CR109,
CR110, CR111, CR200, CR201, CR202,

CR203, CR204, CR205

4	2.7K	2.7K	70240021	2.7K--1/4W--5%----CF--T&R R114, R116, R137, R138
5	220K	220K	70240036	220K--1/4W--5%----CF--T&R R106, R147, R148, R150, R153
16	22K	22K	70240029	22K---1/4W--5%----CF--T&R R103, R104, R108, R142, R145, R149, R151, R152, R154, R155, R156, R157, R207, R208, R216, R217
19	22R50	22R50	70320181	22MF-----20%-----50VDC---EL--T&A C105, C109, C110, C114, C116, C119, C124, C130, C134, C135, C136, C138, C141, C203, C205, C208, C214, C218, C222
2	2N3919	3919	70463919	SKA-3919 TO92 NPN TRANS T&A Q102, Q103
4	330PF	330PF	70340070	330PF-----10%-----50VDC----T/C----T&R C108, C120, C137, C142

7	33K	33K	70240030	33K---1/4W--5%----CF--T&R	R107, R200, R201, R202, R204, R209, R210
2	4.7FP	4.7FP	70240094	4.7FP-1/4W--10%----FP--T&R	R161, R162
2	4.7K	4.7K	70240023	4.7K--1/4W--5%----CF--T&R	R123, R223
8	4560	4560	70414560	4560 DUAL OP AMP IC	U100, U101, U102, U103, U200, U201, U202, U203
3	47	47	70240008	47----1/4W--5%----CF--T&R	R167, R168, R219
5	470	470	70240015	470---1/4W--5%----CF--T&R	R115, R117, R128, R144, R163
2	470PF	470PF	70340058	470PF-----10%----50VDC----T/C----T&R	

C207, C217

1 47FP 47FP 70240090 47FP--1/4W--5%----FP--T&R

R224

4 47K 47K 70240031 47K---1/4W--5%----CF--T&R

R101, R139, R143, R225

3 6.8K 6.8K 70240024 6.8K--1/4W--5%----CF--T&R

R131, R136, R220

2 68K 68K 70240032 68K---1/4W--5%----CF--T&R

R126, R134

1 DG211 DG211 70420211 DG211 CJ I.C.

U104

1 DU26 DU26 70500026 DU-26 BALANCED OUT TRANSFORMER

TX200

1 HIDMI 71466215 71466215 2 TIP HID JACK INSU W/SPD

J101

8	HIDMNI	71466214	71466214	2 TIP HID JACK NINS W/SPD
				J100, J102, J103, J104, J105, J106, J200, J201
1	J174	J174	70460174	J-174 30V TO-92 P-CHAN FET T&A
				Q104
1	LEDBICR	LEDBICR	70450056	LED BICOLOR (RED/GREEN) RECT., VERT.
				CR112
1	MAC97	MAC97	70460097	MAC97-6 400V .6A TO-92 TRIAC T&A
				CR113
1	MMPD	73711812	73711812	R93-12 PN C.B. MALE MOLEX PIN
				J107
1	POT0258	71190258	71190258	10K - STD - 9MM
				VR202
2	POT0336	71190336	71190336	10K LIN METRIC SPIDER 1MM

VR100, VR106

3 POT0340 71190340 71190340 50K LIN MET SPIDER - W/CTR DTNT 1MM

VR102, VR104, VR105

1 POT0342 71190342 71190342 50K A/RA 20% DL MET SPDR 1MM

VR101

2 POT0343 71190343 71190343 100K 20% DL MET SPDR 1MM

VR103, VR201

1 POT0344 71190344 71190344 10K LIN DL MET SPDR 1MM

VR200

1 PXLRMVB 71466183 71466183 XLB CONN VERT MALE W/BRKT

J202

1 SPX8K7 SPX8K7 XXXXXXXX 7 EACH OF STAKE PINS

P100

5 SUZPP SUZPP 71322251 SUZ P/P SWITCH PC MOUNT

S100, S101, S102, S200, S201

* END OF BILL OF MATERIALS REPORT *