

6

5

4

3

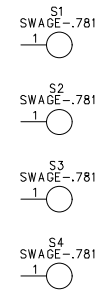
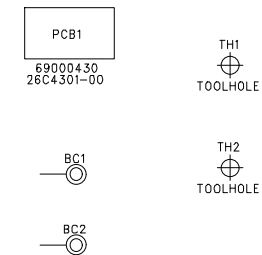
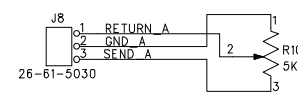
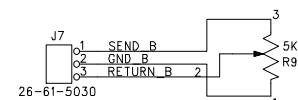
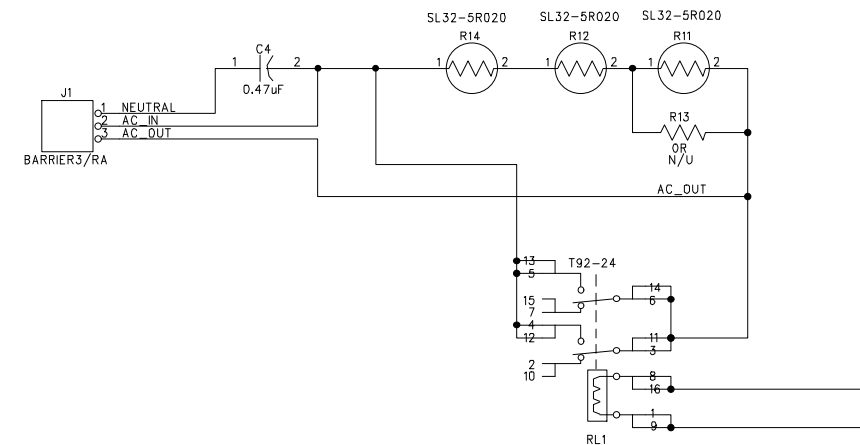
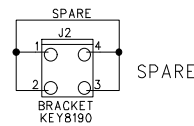
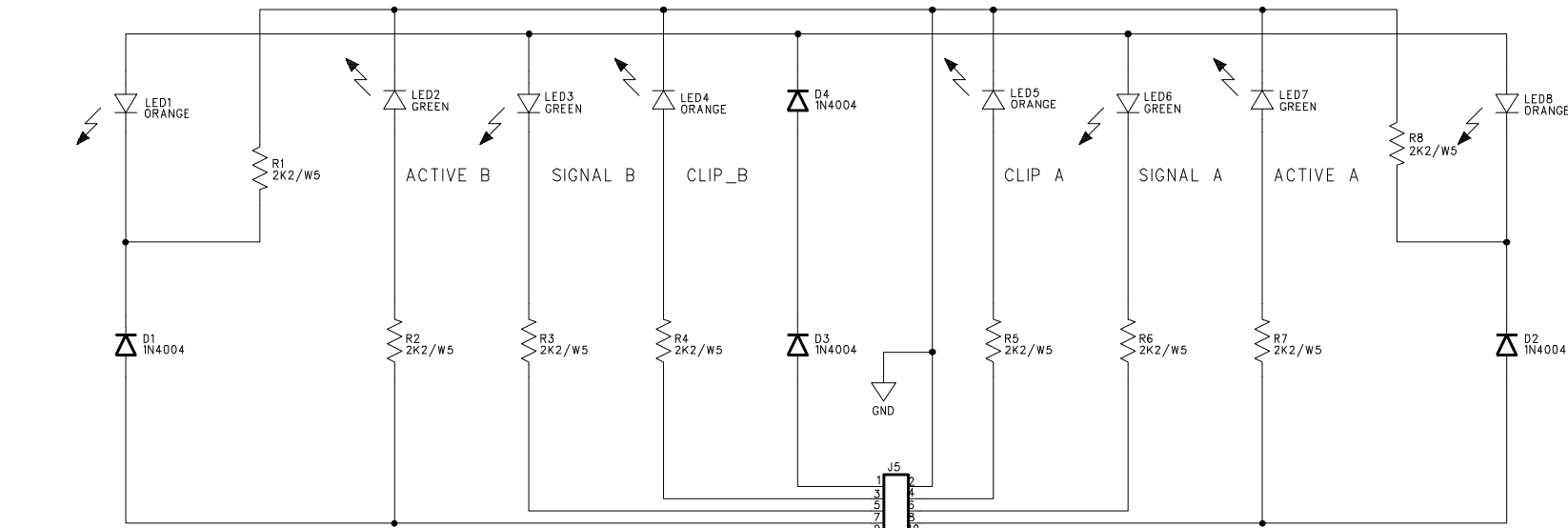
2

1

| REVISION RECORD | | | |
|-----------------|---------|-----------|-------|
| LTR | ECO NO: | APPROVED: | DATE: |
| | | | |
| | | | |
| | | | |

REV 1 (SCHEMATIC CHANGES)
 1) PINOUT OF J1 CHANGED TO REFLECT NEW PCB LAYOUT BECAUSE OF LARGER TRANSF.
 2) J7 & J8 CHANGED TO GOLD RIGHT ANGLE HEADER FROM STRAIGHT PIN HEADER. NEW CONNECTOR 26-61-5030.
 3) J2 CHANGED TO KEY8190 FROM A BARRIER.
 4) NEW PCB # 26D3254-02.

NEW PCB 26C4301-00 FOR CA 18 DISPLAY
 26D3254-03 BOARDS ARE INCORRECT
 NEW CREST P/N & DRAWING NUMBER WAS ISSUED



NOTE:
 ADDITIONAL INRUSH LIMITER ADDED, 9/29/98



| | | | |
|-------------------------|-------------------|----------------------------|---------------|
| TITLE: CA 18 DISPLAY | | | |
| DRAWN: | DATED: | CODE: | SIZE: |
| CHECKED: C.MAHONEY | DATED: 9/29/98 | DRAWING NO: 4301-00.SCH | REV: 00 |
| QUALITY CONTROL: | DATED: | SCALE: | SHEET: 1 OF 1 |
| RELEASED: | DATED: | | |

6

5

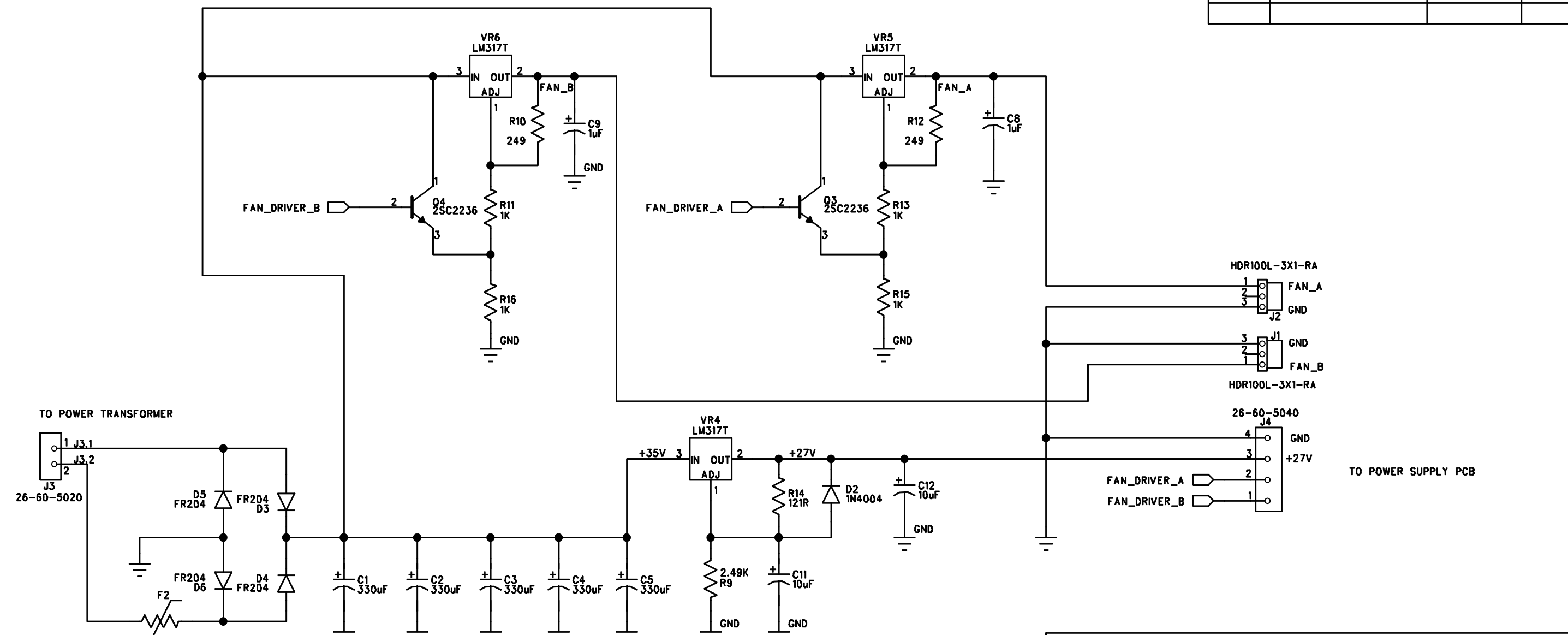
4

3

2

1

| REVISION RECORD | | | |
|-----------------|---------|-----------|-------|
| LTR | ECO NO: | APPROVED: | DATE: |
| | | | |
| | | | |
| | | | |



| | | | |
|--|-------|-------------|---------------|
| COMPANY: | | | |
| CREST AUDIO INC. 100 EISENHOWER DR. PARAMUS NJ | | | |
| TITLE: | | | |
| CA18 FAN DRIVER PC BOARD | | | |
| 21A3101-00 | | | |
| CODE: | SIZE: | DRAWING NO: | REV: |
| | B | 3101-00.SCH | 00 |
| SCALE: | | | SHEET: 1 OF 2 |

| | |
|------------------|--------|
| DRAWN: | DATED: |
| I. FERSTENBERG | 2/5/97 |
| CHECKED: | DATED: |
| | |
| QUALITY CONTROL: | DATED: |
| | |
| RELEASED: | DATED: |
| | |

D

C

B

A

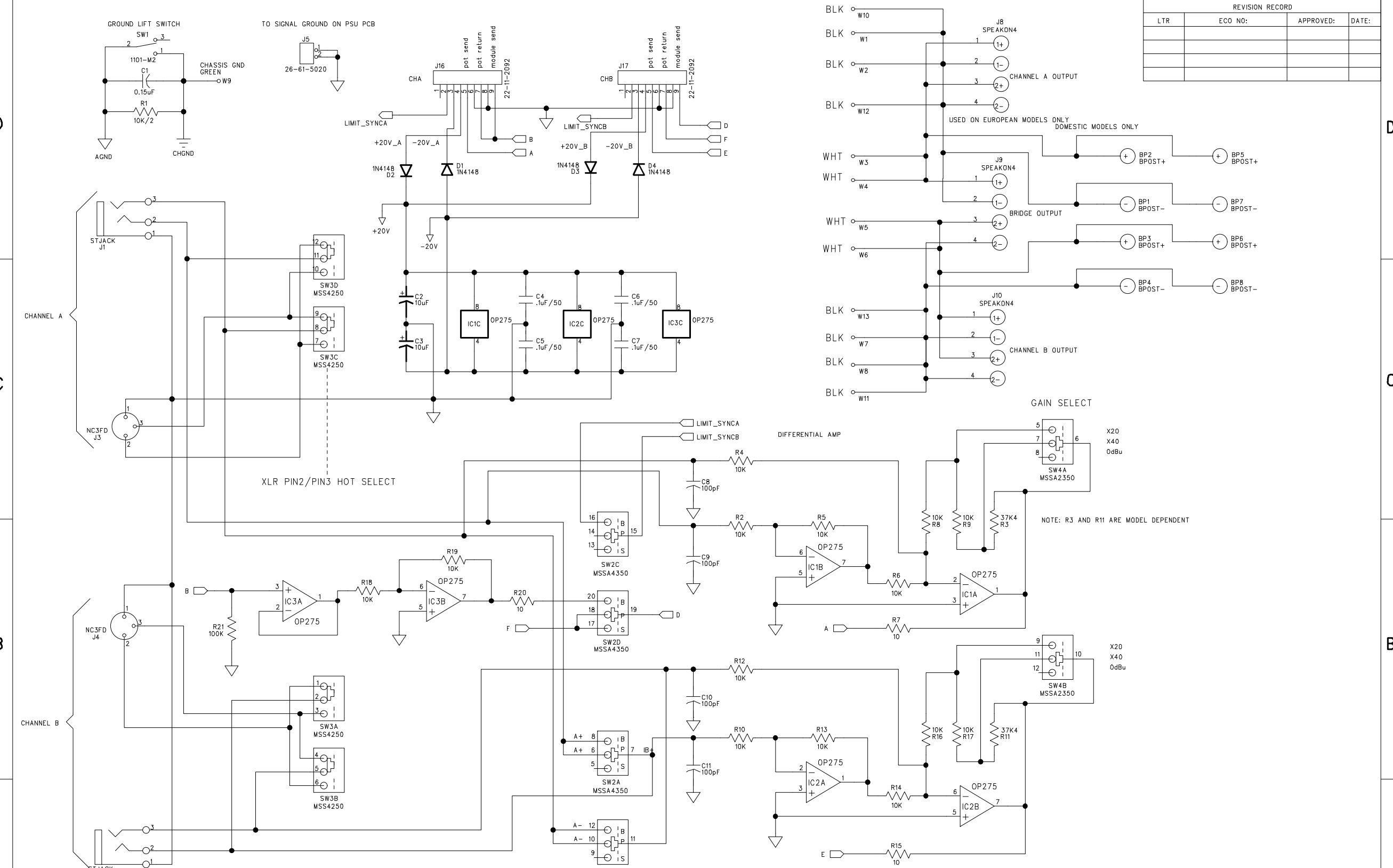
D

C

B

A

| REVISION RECORD | | | |
|-----------------|---------|-----------|-------|
| LTR | ECO NO: | APPROVED: | DATE: |
| | | | |
| | | | |
| | | | |



MODE SWITCH
 B= BRIDGE MODE
 P= PARALLEL MODE
 S= STEREO MODE

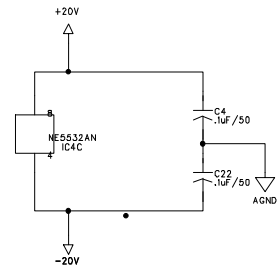
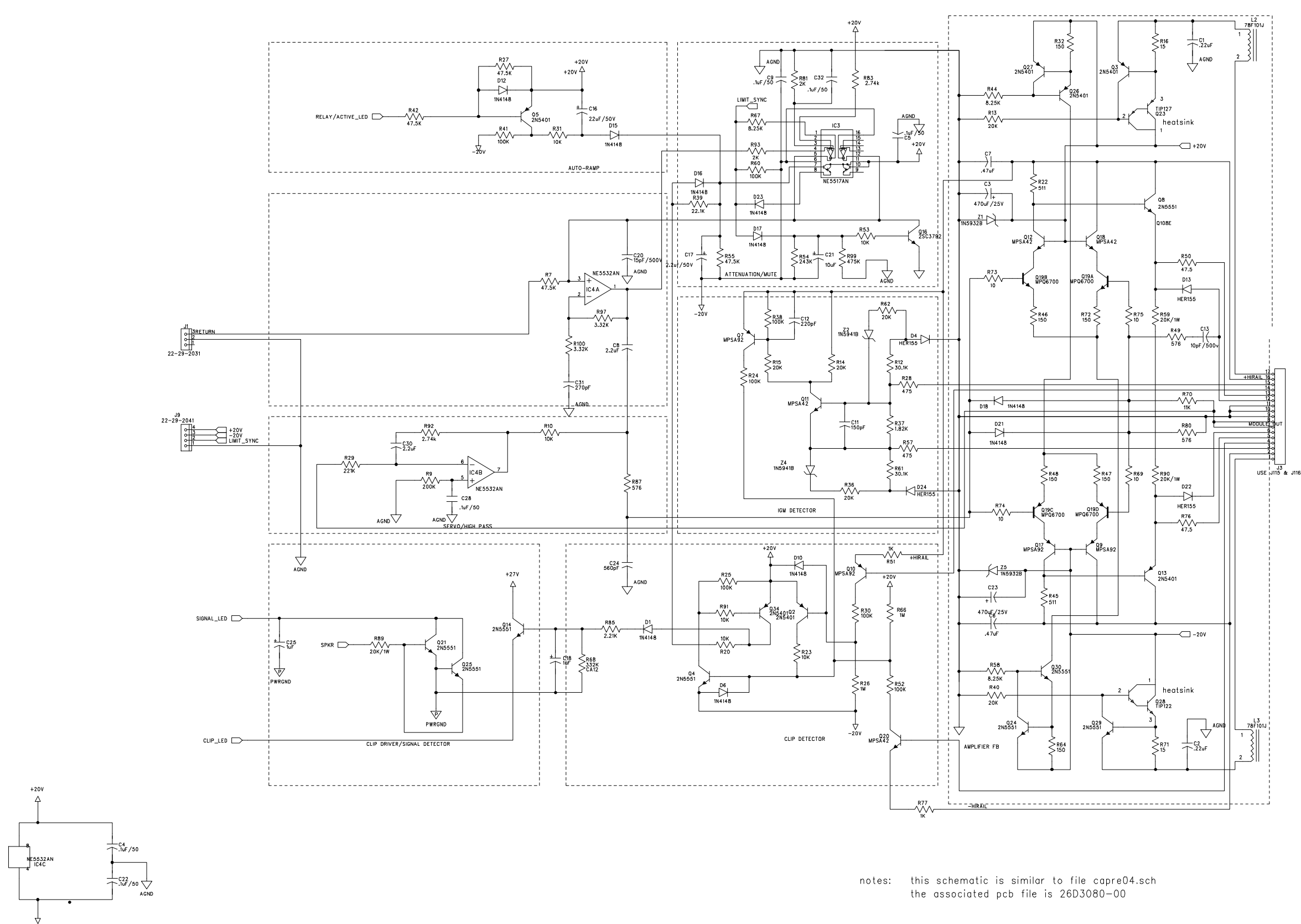
| | |
|------------------|----------------|
| DRAWN: Isaac F. | DATED: 1/22/97 |
| CHECKED: | DATED: |
| QUALITY CONTROL: | DATED: |
| RELEASED: | DATED: |

CREST AUDIO

TITLE: **SCHEMATIC**
 CA INPUT PC BOARD
21D3098-00

| | | | |
|--------|----------------|-------------------------|---------|
| CODE: | SIZE: C | DRAWING NO: 3098-00.SCH | REV: 00 |
| SCALE: | | SHEET: 1 OF 2 | |

| REVISION RECORD | | | |
|-----------------|---------------|---------------|---------|
| LTR | ECO NO: | APPROVED: | DATE: |
| | SEE DCO 010 | L FORSTENBERG | 3/24/97 |
| | SEE DCO 020 | L FORSTENBERG | 4/9/97 |
| | SEE ECO 1992A | L FORSTENBERG | 6/19/97 |



notes: this schematic is similar to file capre04.sch
the associated pcb file is 26D3080-00

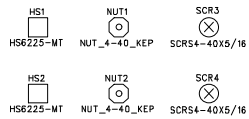
CRESTAUDIO

TITLE: CA18 PREAMP PC BOARD
21D3080-00

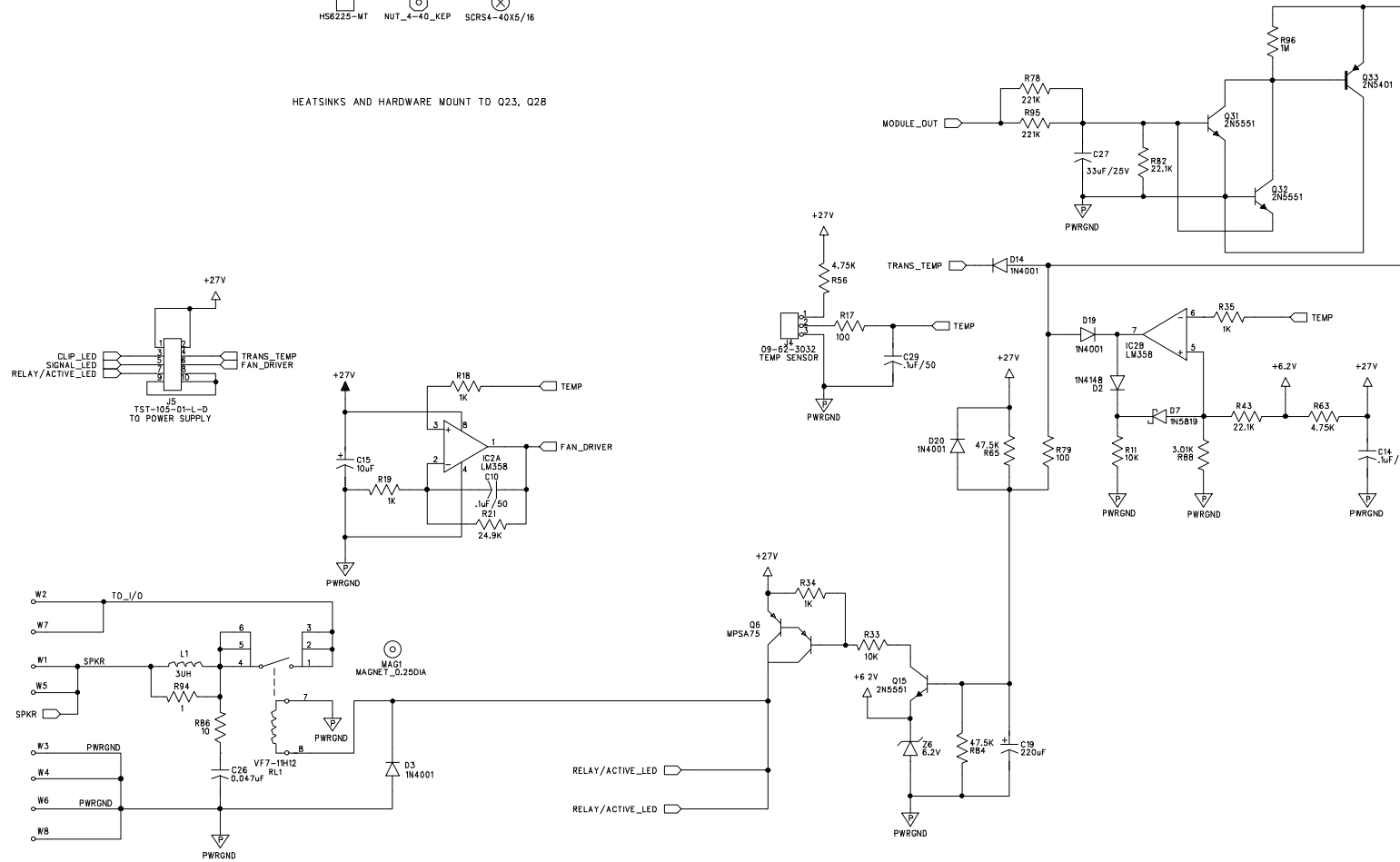
3080-00.SCH 02

SHEET 1 OF 2

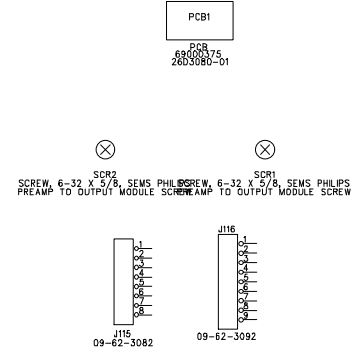
| REVISION RECORD | | | |
|-----------------|---------|-----------|-------|
| LTR | ECO NO: | APPROVED: | DATE: |
| | | | |
| | | | |
| | | | |



HEATSINKS AND HARDWARE MOUNT TO Q23, Q28



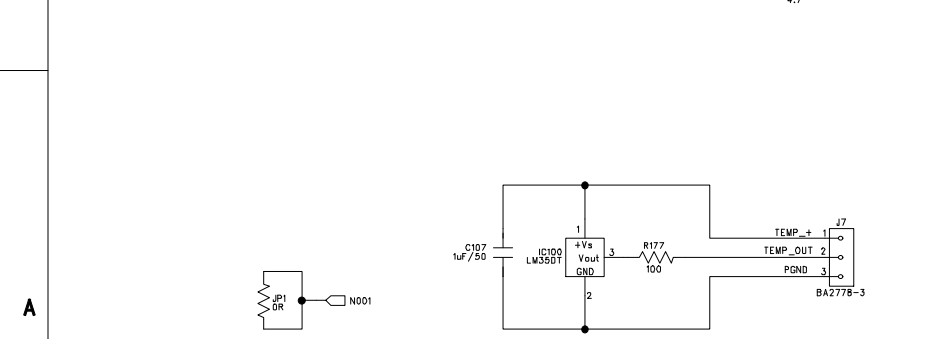
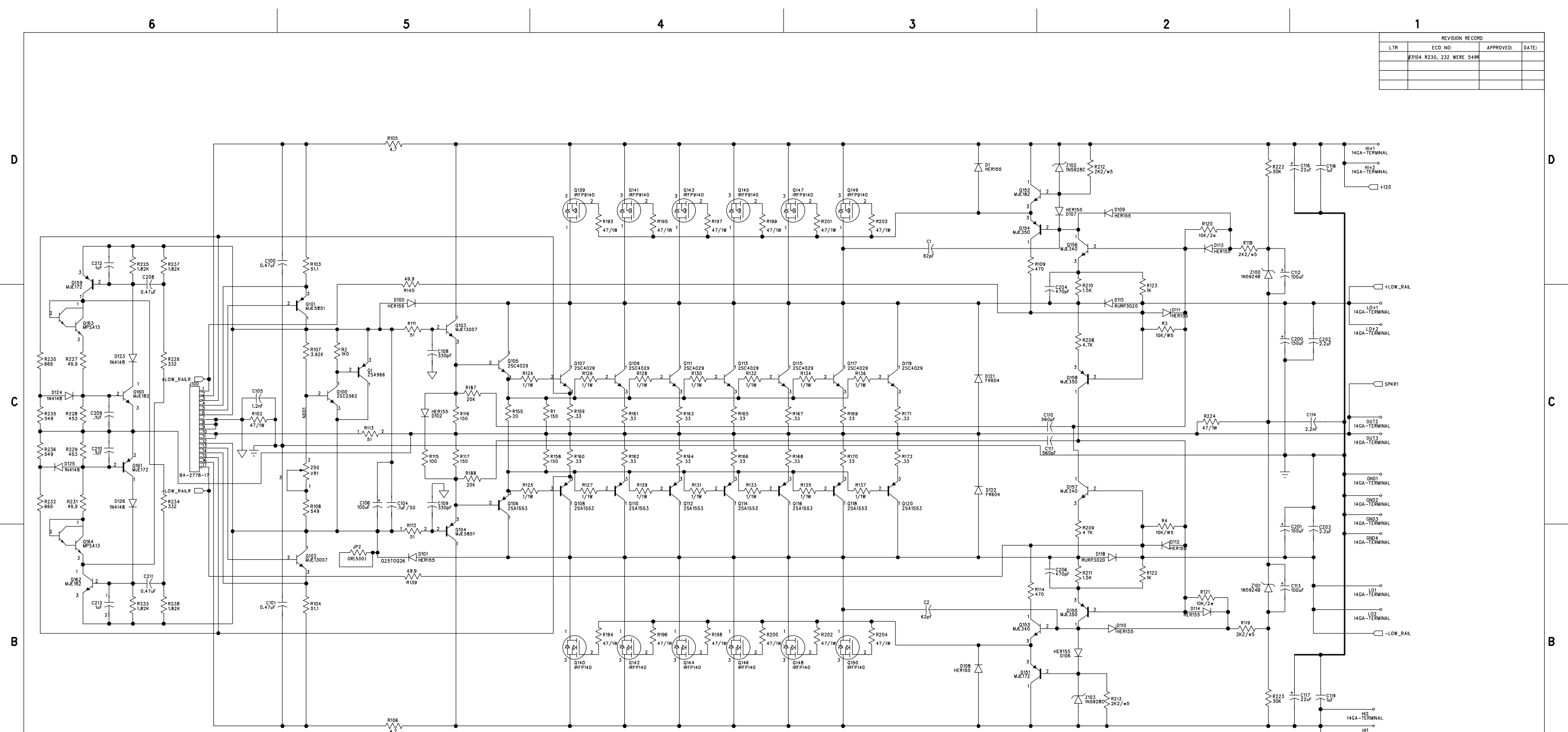
TO IN/OUT PCB
 FROM OUTPUT PCB
 TO IN/OUT PCB
 FROM OUTPUT PCB



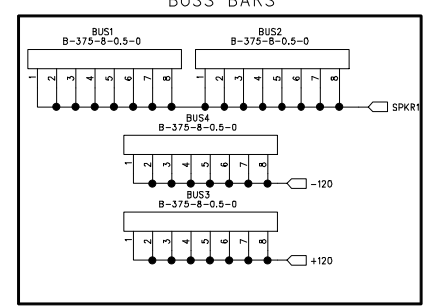
TITLE: CA18 PREAMP PC BOARD
 21D3080-00

3080-00.SCH 02

| REVISION RECORD | | | |
|-----------------|---------------------------|-----------|-------|
| LTR | ECO NO: | APPROVED: | DATE: |
| | #3104 R230, 232 WERE 549H | | |
| | | | |
| | | | |



REV. NOTES



| | | | |
|---------------------------|----------------|---------|---------------------|
| CREST AUDIO | | | |
| TITLE: CA18 OUTPUT MODULE | | | |
| DRAWN: I.FERSTENBERG | DATED: 2/18/97 | CODE: | REV: 03 |
| CHECKED: | DATED: | SIZE: D | DRAWING NO: 4625-00 |
| QUALITY CONTROL: | DATED: | SCALE: | SHEET: 1 OF 2 |
| RELEASED: | DATED: | | |

6

5

4

3

2

1

D

D

C

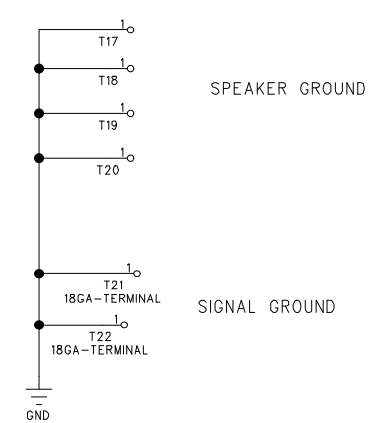
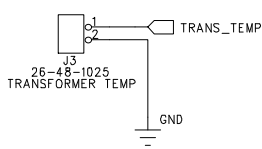
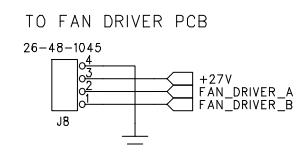
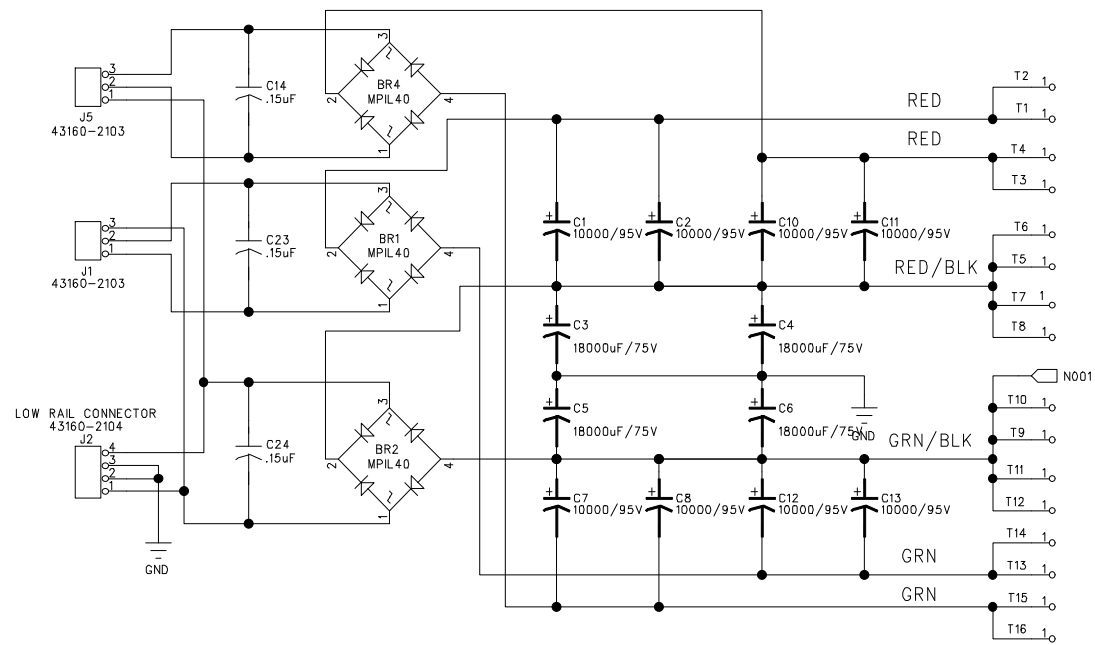
C

B

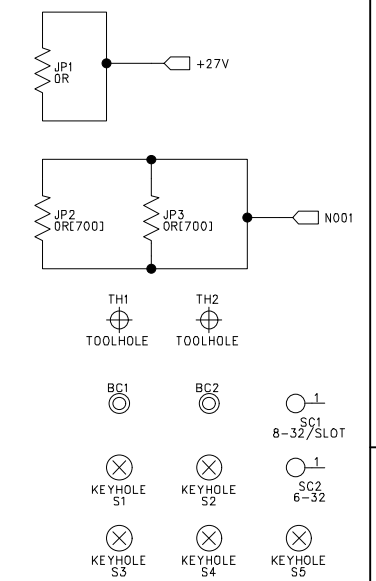
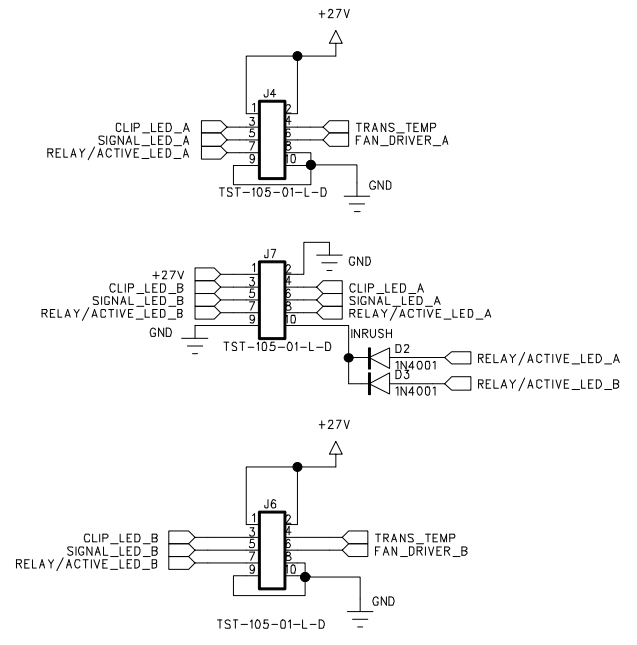
B

A

A



- HIGH RAIL + CHA
- HIGH RAIL + CHB
- LOW RAIL + CHA
- LOW RAIL + CHB
- LOW RAIL - CHA
- LOW RAIL - CHB
- HIGH RAIL - CHA
- HIGH RAIL - CHB



NOTE: REV02 HIGH RAIL CAPS CHANGED TO 10,000uF/95V FROM 9000uF/90V

CREST AUDIO

TITLE: SCHEMATIC
CA18 POWER SUPPLY PC BOARD
21C3102-01

| | | | |
|------------------|---------------|---------------|-------------------------|
| DRAWN: Isaac F. | DATED: 5/9/97 | CODE: | REV: 01 |
| CHECKED: | DATED: | SIZE: C | DRAWING NO: 3102-01.SCH |
| QUALITY CONTROL: | DATED: | SHEET: 1 OF 2 | |
| RELEASED: | DATED: | SCALE: | |