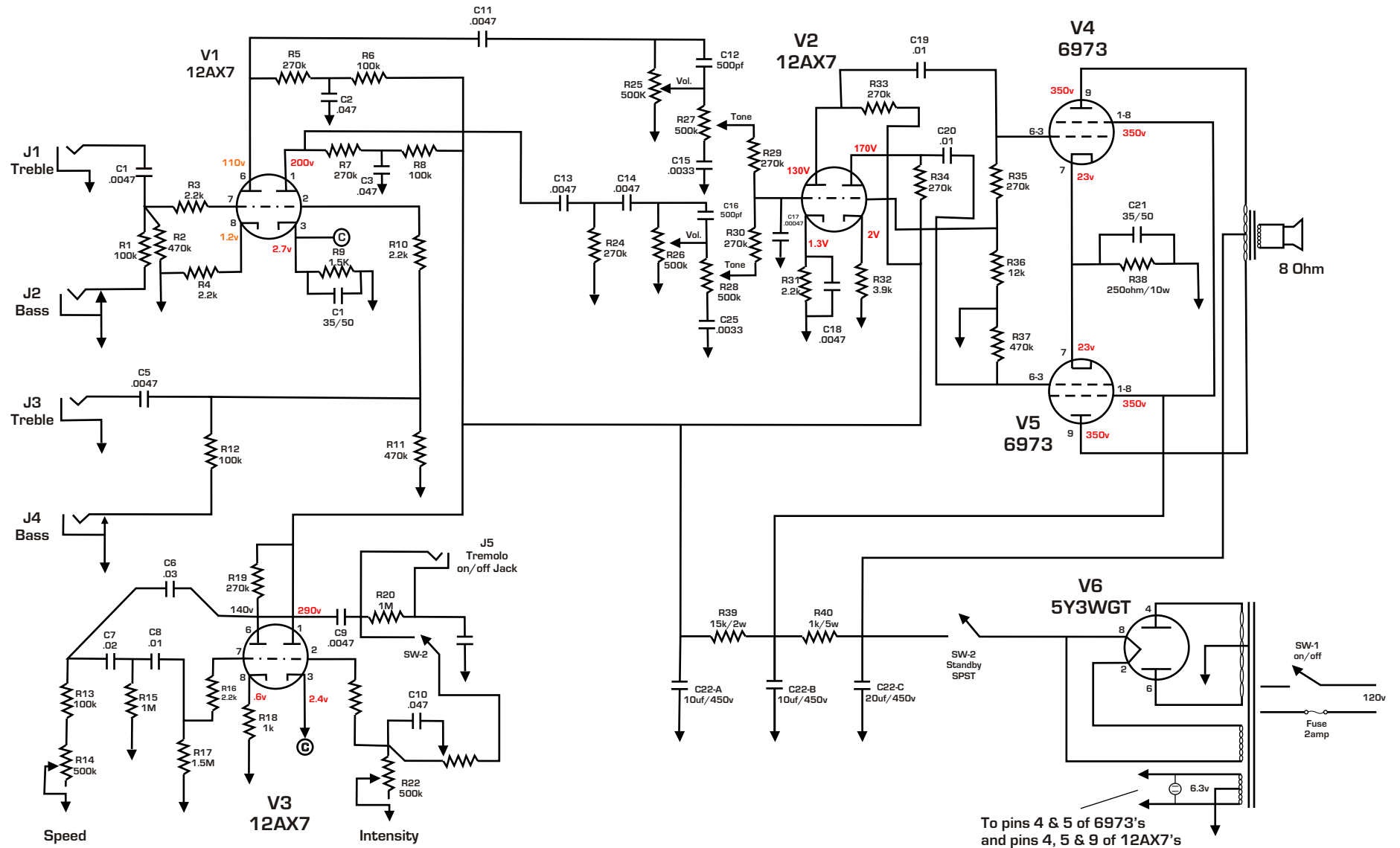


# S6424 Schematic

WWW.TURRETBOARDS.COM

Redrawn and slightly modified by Ken Watts.



Note: All resistors are 1/2 watt unless otherwise noted.

\*A few of the component values were changed slightly to reflect modern component values and safety standards.

\*\*Use only a NOS or vintage 5Y3 rectifier tube with this circuit. New 5Y3's have different ratings and could cause harm to your other tubes.