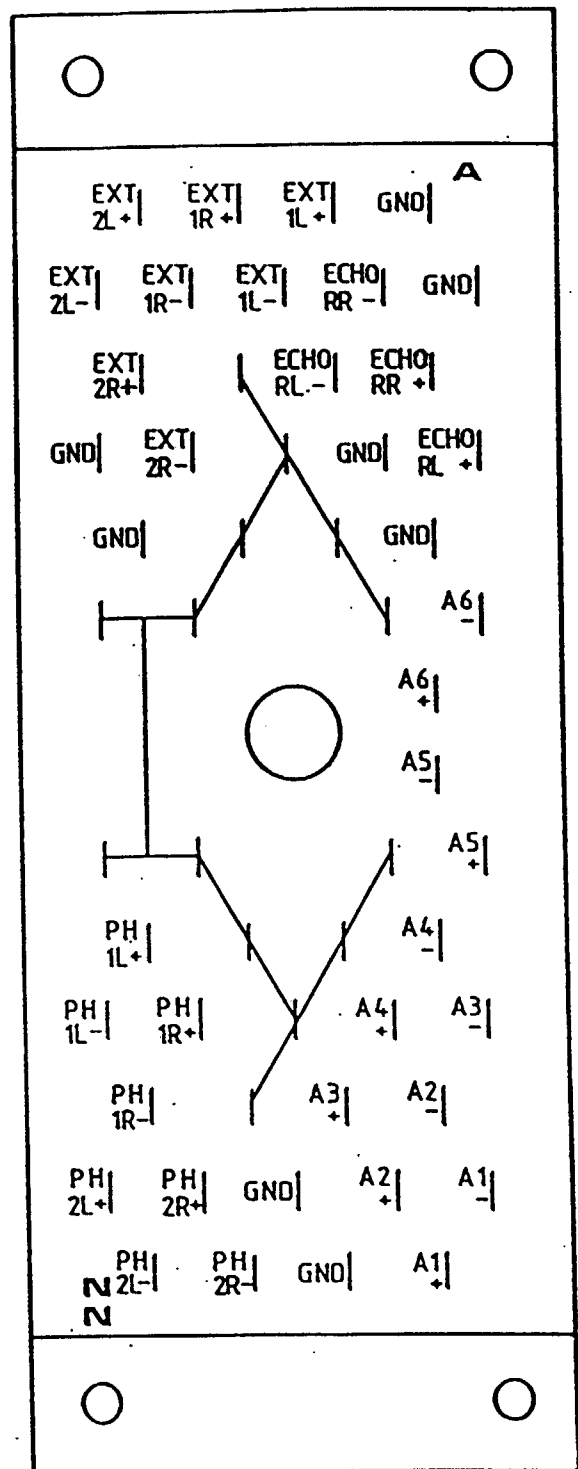
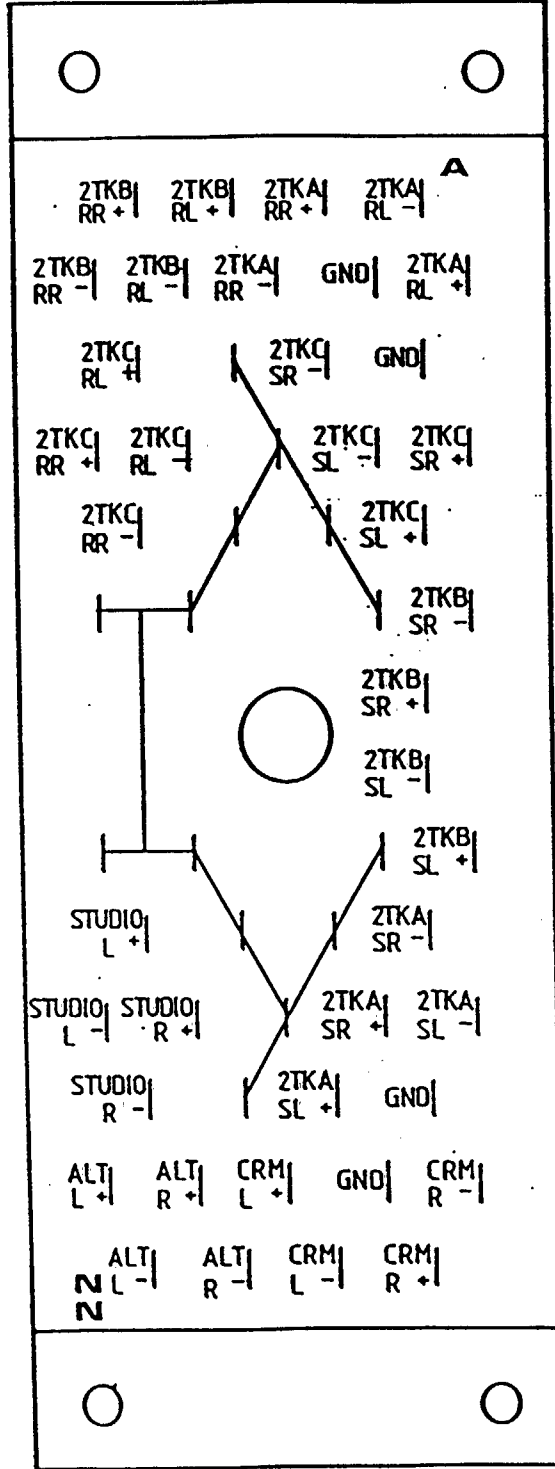


ISSUE P1
2-3-87
ISSUE 1
15-4-87



PHONES/AUX



2T/MONITOR

VIEWED FROM FREE CON. SOLDER PINS.

TOLERANCES
HOLE SIZE AFTER FINISHING

0-2mm	+0.04
0-2mm	-0.04
OVER 2-4mm	+0.12
0-4mm	-0.04
OVER 4-10mm	+0.15
0-10mm	-0.04
OVER 10-15mm	+0.16
0-15mm	-0.04
OVER 15-25mm	+0.21
0-25mm	-0.04
OVER 25mm	+0.25
0-25mm	-0.04

GENERAL TOLERANCE
Default where not applicable.

± 0.05mm (±0.002")
± 0.25mm (±0.010")
± 0.125mm (±0.005")

HOLE CENTRES ± 0.04"
ALL ANGLES ± 0.4°
Unless otherwise stated.

HOLE INDEX

<input type="checkbox"/>	<input type="checkbox"/>
<input type="checkbox"/>	<input type="checkbox"/>
<input type="checkbox"/>	<input type="checkbox"/>
<input type="checkbox"/>	<input type="checkbox"/>

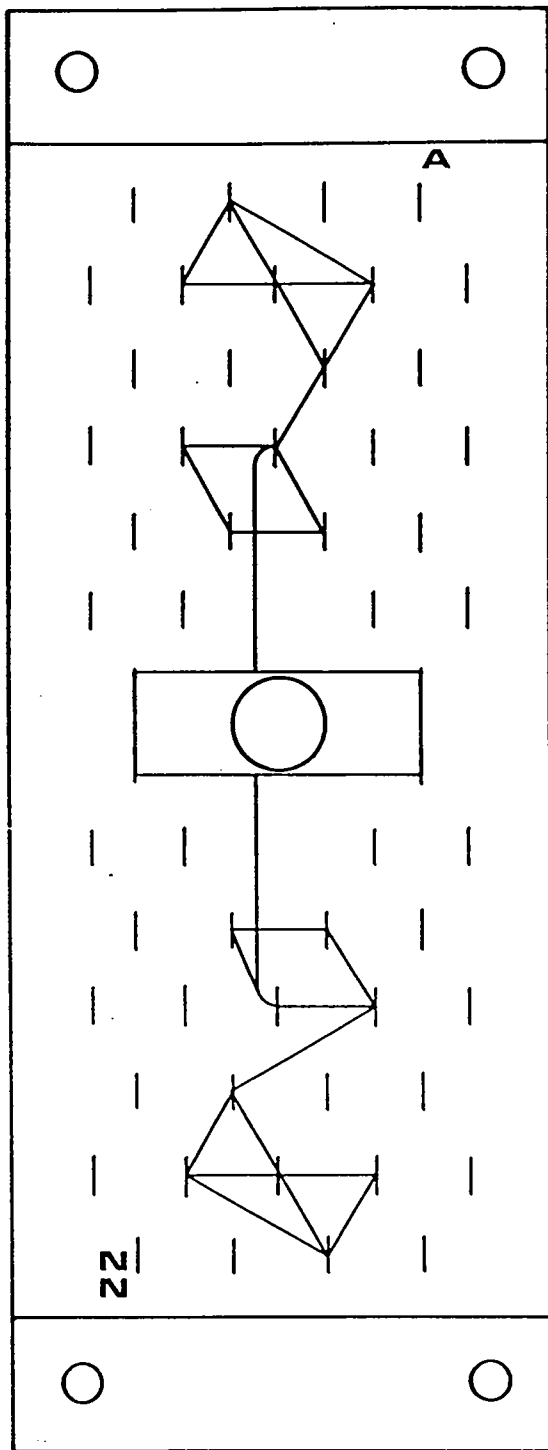
MATL	DRN BTB
FINISH	TRCD
SCALE	CHKD
N.T.S.	
THIRD ANGLE PROJECTION	
THIS DRAWING TO COMPLY TO BS 308.	

SOUNDCRAFT ELECTRONICS LTD
UNIT 2,
BOREHAMWOOD INDUSTRIAL PARK,
ROWLEY LANE,
BOREHAMWOOD,
HERTFORDSHIRE W06 5PZ.
TELEPHONE: 01-207-5050
FACSIMILE No. 2070194

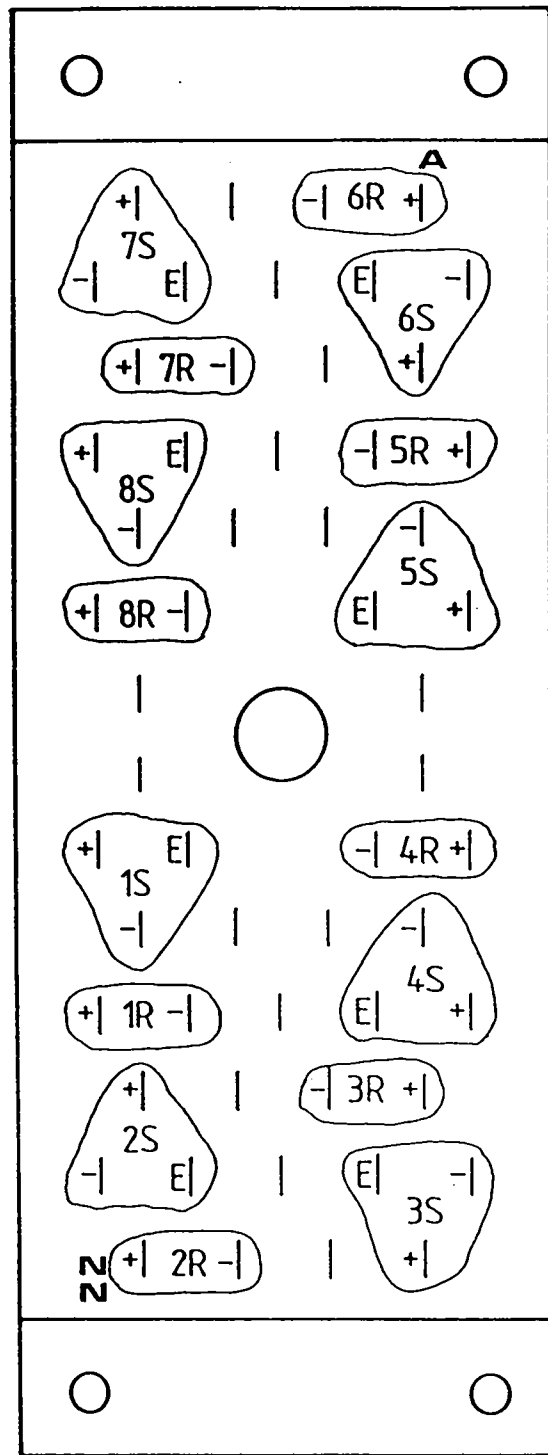
TITLE

TS12
MASTER ELCOS
(FROM SC2566/2)

ORG. No. MI2588



GNDS



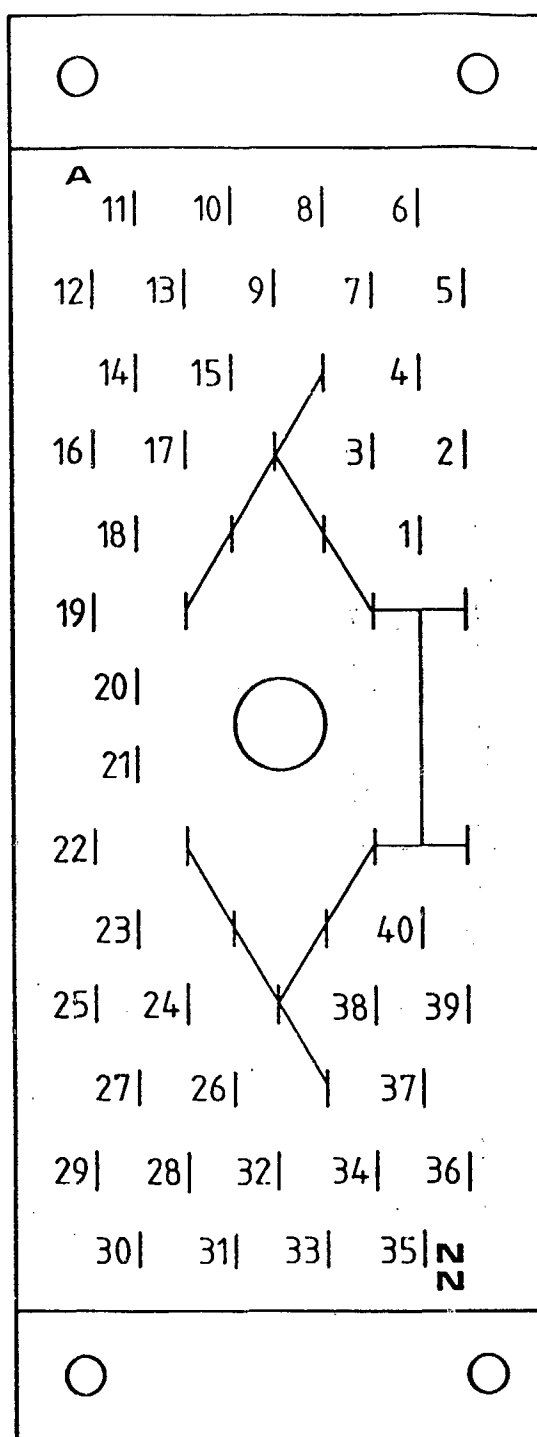
SIGNALS & GNDS

S = CONSOLE SEND
R = TAPE RETURN

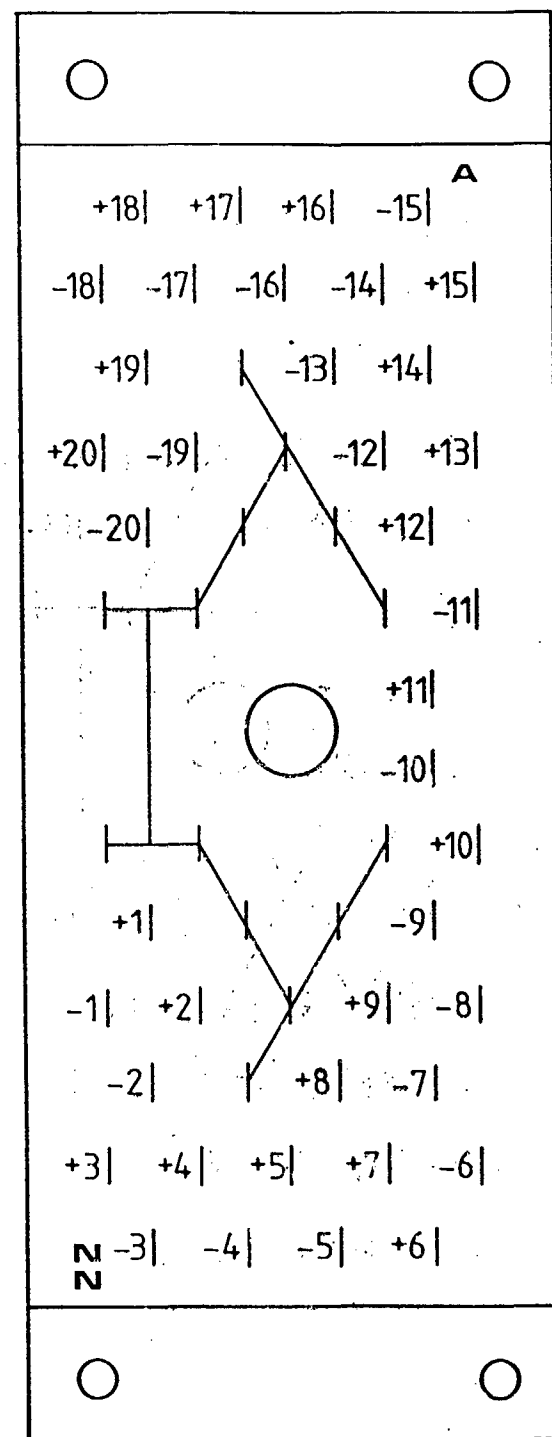
VIEWED FROM FREE CON. SOLDER PINS.

<p>TOLERANCES HOLE SIZES AFTER FINISHING</p> <p>0-3mm ± 0.10 - 0.00</p> <p>OVER 3-6mm ± 0.12 - 0.00</p> <p>OVER 6-10mm ± 0.15 - 0.00</p> <p>OVER 10-16mm ± 0.18 - 0.00</p> <p>OVER 16-25mm ± 0.21 - 0.00</p> <p>OVER 25mm ± 0.25 - 0.00</p>	<p>GENERAL TOLERANCE</p> <p>Delete where not applicable.</p> <p>± 0.50mm (0.020")</p> <p>± 0.25mm (0.010")</p> <p>± 0.12mm (0.005")</p> <p>HOLE CENTRES ± 0.04"</p> <p>ALL ANGLES ± 0.60°</p> <p>Unless otherwise stated.</p>	<p>HOLE INDEX</p> <p><input type="checkbox"/></p> <p><input type="checkbox"/></p> <p><input type="checkbox"/></p> <p><input type="checkbox"/></p>	<p><input type="checkbox"/></p> <p><input type="checkbox"/></p> <p><input type="checkbox"/></p> <p><input type="checkbox"/></p>	<p>MATL</p> <p>FINISH</p> <p>SCALE N.T.S.</p>	<p>DRN BTB</p> <p>TRCD</p> <p>CHKD</p>	<p>SOUNDCRAFT ELECTRONICS LTD UNIT 2 BOREHAMWOOD INDUSTRIAL PARK, ROWLEY LANE, BOREHAMWOOD, HERTFORDSHIRE WD6 5PZ TELEPHONE 01 207 5050 FACSIMILE No 2070194</p>	<p>TITLE</p> <p>TS12 TAPE I/O & 600 PATCH</p> <p>DRG No MI2589</p>
--	--	--	---	---	--	--	---

ISSUE P1
2-3-87
ISSUE 1
15-4-87



PCB TRACK SIDE - Pin numbers correspond to 40 way ribbon cable conductor numbers.



FREE CON. SOLDER PINS (TIE LINE FUNCTION). Rows A to D = 80 tielines or A to E (if fitted) = 100 tielines.

TOLERANCES
HOLE SIZES AFTER PAINTING

0-3mm	+ 0.10	- 0.00
OVER 3-6mm	+ 0.12	- 0.00
OVER 6-10mm	+ 0.15	- 0.00
OVER 10-18mm	+ 0.18	- 0.00
OVER 18-25mm	+ 0.21	- 0.00
OVER 25mm	+ 0.25	- 0.00

GENERAL TOLERANCE
Delete where not applicable.

± 0.50mm (0.020")
± 0.25mm (0.010")
± 0.12mm (0.005")

HOLE CENTRES ± 0.04"
ALL ANGLES ± 0.50°
Unless otherwise stated.

HOLE INDEX

<input type="checkbox"/>	<input type="checkbox"/>
<input type="checkbox"/>	<input type="checkbox"/>
<input type="checkbox"/>	<input type="checkbox"/>
<input type="checkbox"/>	<input type="checkbox"/>

MATL	DRN BTB
FINISH	TRCD
SCALE	CHKD
NTS.	
THIRD ANGLE PROJECTION	
THIS DRAWING TO COMPLY TO BS308.	

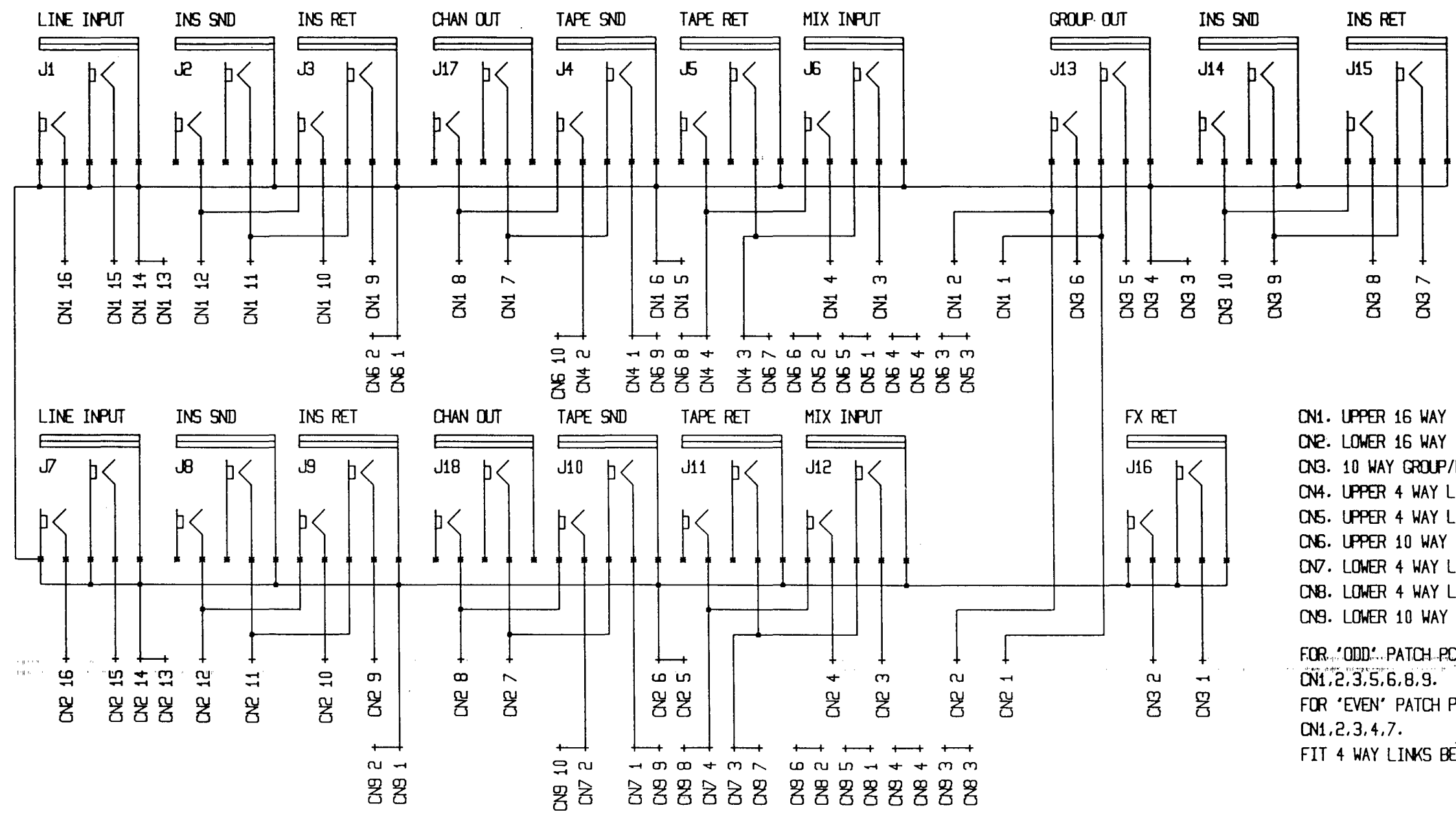
SOUNDCRAFT ELECTRONICS LTD
UNIT 2,
BOREHAMWOOD INDUSTRIAL PARK,
ROWLEY LANE,
BOREHAMWOOD,
HERTFORDSHIRE WD6 5PZ.
TELEPHONE: 01-207-5050
FACSIMILE No. 2070194

TITLE
TS12 (SC2566/2)
40 WAY DESIGNATIONS
TIE LINE PATCH

DRG. No. MI 2587

ISSUE 1
17-4-87

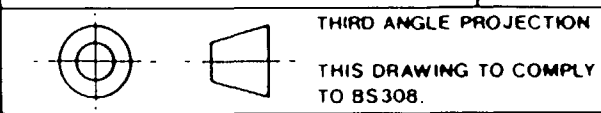
Iss 2
21-4-87

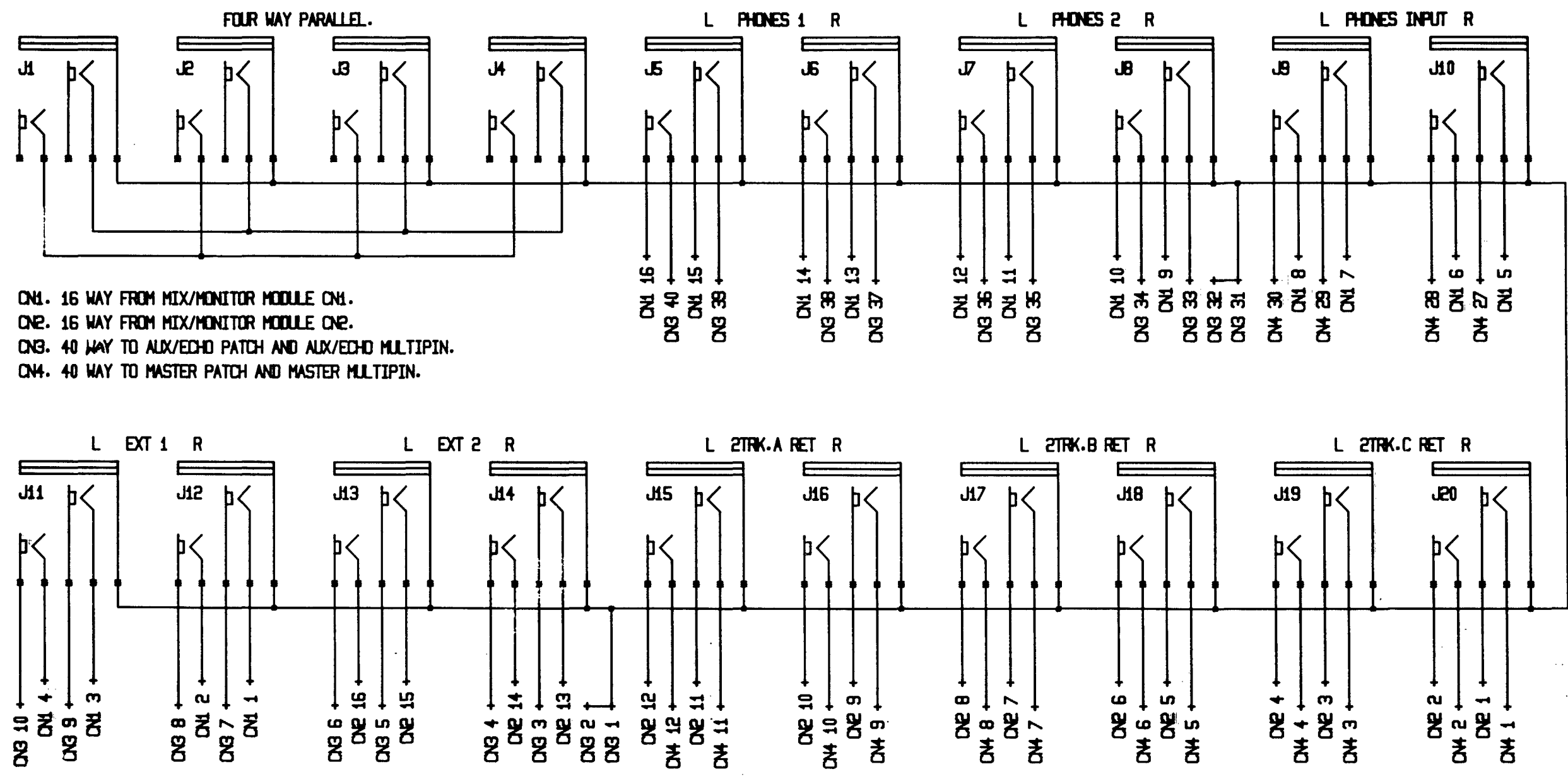


- CN1. UPPER 16 WAY I/O.
- CN2. LOWER 16 WAY I/O.
- CN3. 10 WAY GROUP/FX.
- CN4. UPPER 4 WAY LINK OUT.
- CN5. UPPER 4 WAY LINK IN.
- CN6. UPPER 10 WAY M/TRK I/O.
- CN7. LOWER 4 WAY LINK OUT.
- CN8. LOWER 4 WAY LINK IN.
- CN9. LOWER 10 WAY M/TRK I/O.

FOR 'ODD' PATCH PCB (1/13, 3/15, 5/17 ETC) FIT:
CN1, 2, 3, 5, 6, 8, 9.
FOR 'EVEN' PATCH PCB (2/14, 4/16 ETC) FIT:
CN1, 2, 3, 4, 7.
FIT 4 WAY LINKS BETWEEN ODD/EVEN PAIRS.

<p>TOLERANCES HOLE SIZES AFTER PAINTING</p> <p>0-3mm + 0.10 - 0.00</p> <p>OVER 3-6mm + 0.12 - 0.00</p> <p>OVER 6-10mm + 0.15 - 0.00</p> <p>OVER 10-18mm + 0.18 - 0.00</p> <p>OVER 18-25mm + 0.21 - 0.00</p> <p>OVER 25mm + 0.25 - 0.00</p>	<p>GENERAL TOLERANCE</p> <p>Delete where not applicable.</p> <p>± 0.50mm (0.020")</p> <p>± 0.25mm (0.010")</p> <p>± 0.12mm (0.005")</p> <p>HOLE CENTRES ± 0.04"</p> <p>ALL ANGLES ± 0.50°</p> <p>Unless otherwise stated.</p>	<p>HOLE INDEX</p> <p><input type="checkbox"/></p> <p><input type="checkbox"/></p> <p><input type="checkbox"/></p> <p><input type="checkbox"/></p>	<p><input type="checkbox"/></p> <p><input type="checkbox"/></p> <p><input type="checkbox"/></p> <p><input type="checkbox"/></p>	<p>MATL</p> <p>FINISH</p> <p>SCALE</p>	<p>DRN</p> <p>TRCD</p> <p>CHKD</p>	<p>SOUNDCRAFT ELECTRONICS LTD UNIT 2, BOREHAMWOOD INDUSTRIAL PARK, ROWLEY LANE, BOREHAMWOOD, HERTFORDSHIRE WD6 5PZ. TELEPHONE: 01-207-5050 FACSIMILE No. 2070194</p>	<p>TITLE</p> <p>TS12 1-24 CHANNEL PATCH</p> <p>DRG. No. ED 2548</p>
---	--	--	---	--	------------------------------------	--	---





CN1. 16 WAY FROM MIX/MONITOR MODULE CN1.
 CN2. 16 WAY FROM MIX/MONITOR MODULE CN2.
 CN3. 40 WAY TO AUX/ECHO PATCH AND AUX/ECHO MULTIPIN.
 CN4. 40 WAY TO MASTER PATCH AND MASTER MULTIPIN.

TOLERANCES
HOLE SIZES AFTER PAINTING

0-3mm	+0.10	-0.00
OVER 3-6mm	+0.12	-0.00
OVER 6-10mm	+0.15	-0.00
OVER 10-18mm	+0.18	-0.00
OVER 18-25mm	+0.21	-0.00
OVER 25mm	+0.25	-0.00

GENERAL TOLERANCE
Delete where not applicable.

± 0.50mm (0.020")
 ± 0.25mm (0.010")
 ± 0.12mm (0.005")

HOLE CENTRES ± 0.04"
 ALL ANGLES ± 0.50°
 Unless otherwise stated.

HOLE INDEX

<input type="checkbox"/>	<input type="checkbox"/>
<input type="checkbox"/>	<input type="checkbox"/>
<input type="checkbox"/>	<input type="checkbox"/>
<input type="checkbox"/>	<input type="checkbox"/>

MATL	DRN
FINISH	TRCD
SCALE	CHKD

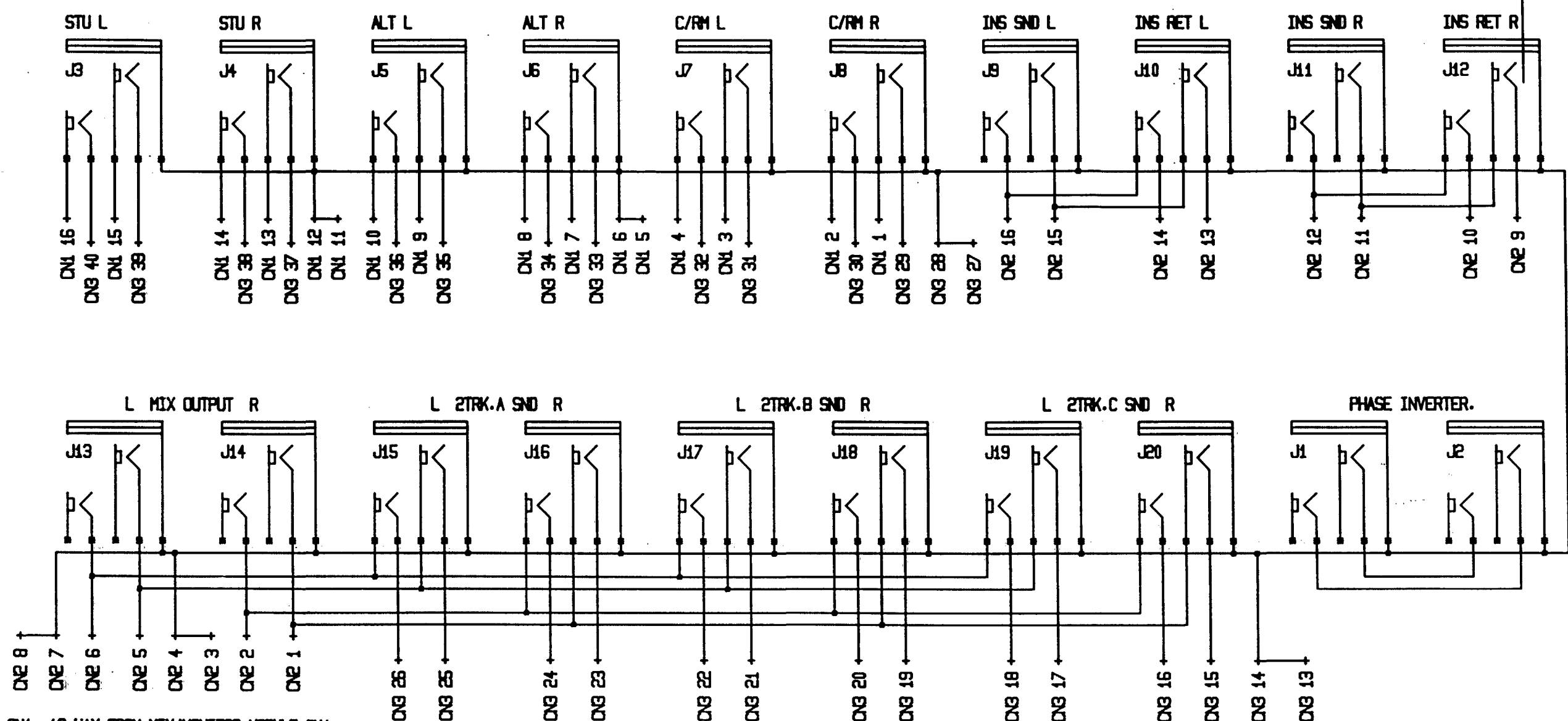
THIRD ANGLE PROJECTION
 THIS DRAWING TO COMPLY TO BS308.

SOUNDCRAFT ELECTRONICS LTD
 UNIT 2,
 BOREHAMWOOD INDUSTRIAL PARK,
 ROWLEY LANE,
 BOREHAMWOOD,
 HERTFORDSHIRE WD6 5PZ.
 TELEPHONE: 01-207-5050
 FACSIMILE No. 2070194

TITLE
**TS12 PHONES/2-TRACK
 MASTER PATCH**

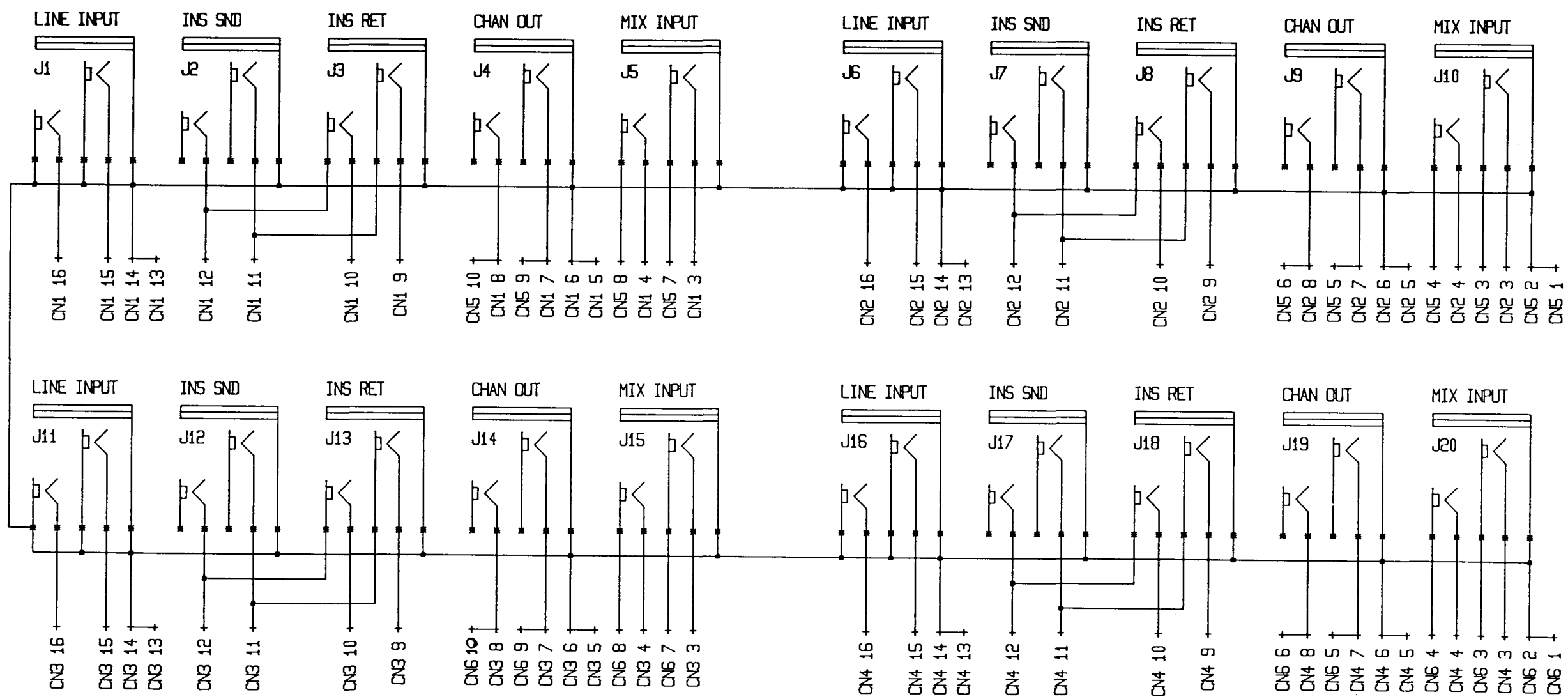
DRG.No. ED2551

ISSUE 1
21-4-87



CN1. 16 WAY FROM MIX/MONITOR MODULE CN4.
 CN2. 16 WAY FROM MIX/MONITOR MODULE CN5.
 CN3. 40 WAY TO PHONES PATCH AND MASTER MULTIPIN.

<p>TOLERANCES HOLE SIZES AFTER PAINTING</p> <p>0-3mm + 0.10 - 0.00</p> <p>OVER 3-6mm + 0.12 - 0.00</p> <p>OVER 6-10mm + 0.15 - 0.00</p> <p>OVER 10-18mm + 0.18 - 0.00</p> <p>OVER 18-25mm + 0.21 - 0.00</p> <p>OVER 25mm + 0.25 - 0.00</p>	<p>GENERAL TOLERANCE</p> <p>Delete where not applicable.</p> <p>± 0.50mm (0.020")</p> <p>± 0.25mm (0.010")</p> <p>± 0.12mm (0.005")</p> <p>HOLE CENTRES ± 0.04"</p> <p>ALL ANGLES ± 0.50°</p> <p>Unless otherwise stated.</p>	<p>HOLE INDEX</p> <p><input type="checkbox"/></p> <p><input type="checkbox"/></p> <p><input type="checkbox"/></p> <p><input type="checkbox"/></p> <p><input type="checkbox"/></p>	<p><input type="checkbox"/></p> <p><input type="checkbox"/></p> <p><input type="checkbox"/></p> <p><input type="checkbox"/></p> <p><input type="checkbox"/></p>	<p>MATL</p> <p>FINISH</p> <p>SCALE</p> <p>DRN</p> <p>TRCD</p> <p>CHKD</p> <p>THIRD ANGLE PROJECTION</p> <p>THIS DRAWING TO COMPLY TO BS308.</p>	<p>SOUNDCRAFT ELECTRONICS LTD UNIT 2, BOREHAMWOOD INDUSTRIAL PARK, ROWLEY LANE, BOREHAMWOOD, HERTFORDSHIRE WD6 5PZ. TELEPHONE: 01-207-5050 FACSIMILE No. 2070194</p>	<p>TITLE</p> <p>TS12 MONITOR MASTER PATCHCARD</p> <p>DRG. No. ED2550</p>
--	--	--	---	---	---	---



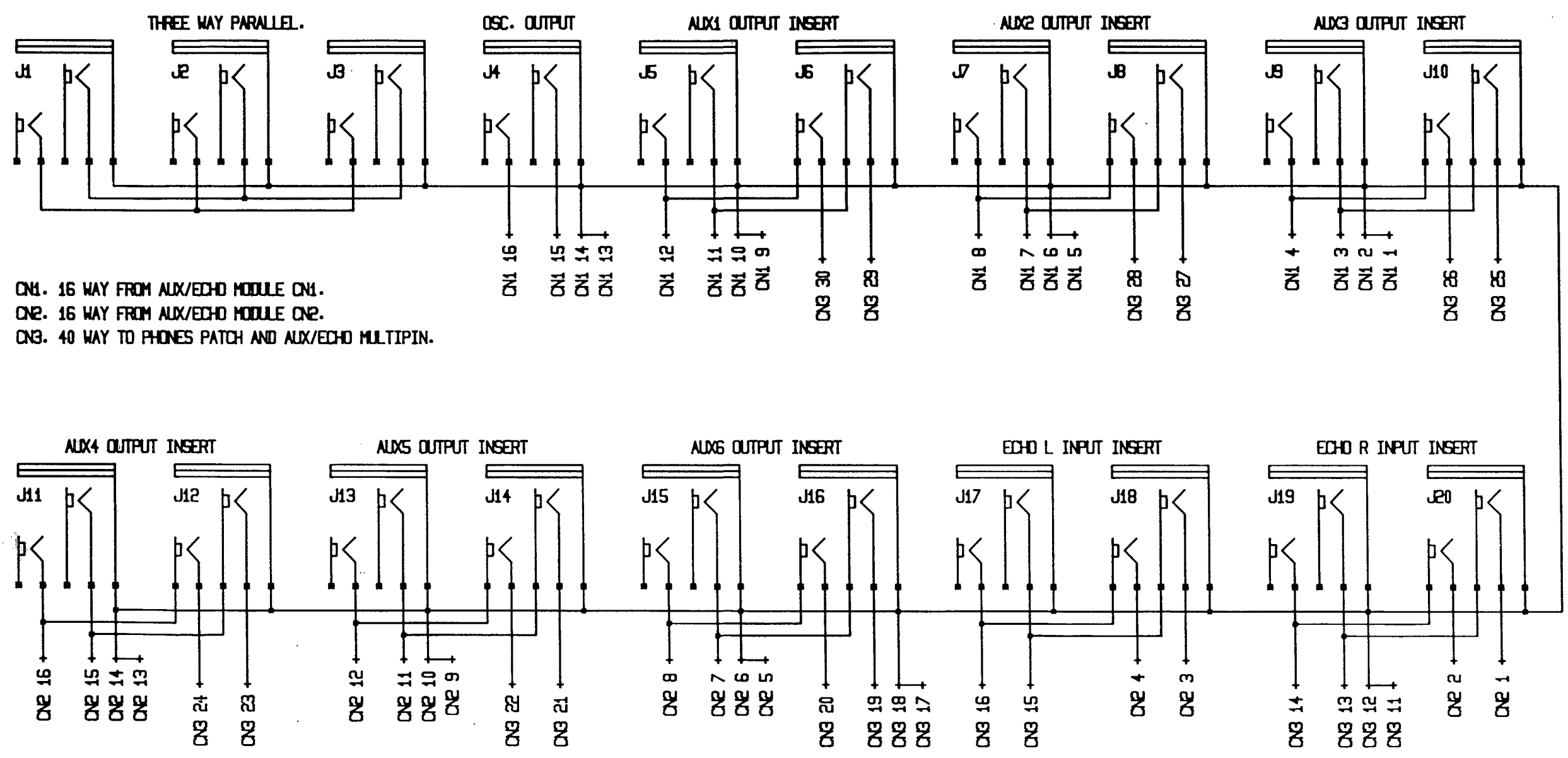
TOLERANCES		HOLE INDEX	
HOLE SIZES AFTER PAINTING			
0-3mm	+ 0.10 - 0.00	<input type="checkbox"/>	<input type="checkbox"/>
OVER 3-6mm	+ 0.12 - 0.00	<input type="checkbox"/>	<input type="checkbox"/>
OVER 6-10mm	+ 0.15 - 0.00	<input type="checkbox"/>	<input type="checkbox"/>
OVER 10-18mm	+ 0.18 - 0.00	<input type="checkbox"/>	<input type="checkbox"/>
OVER 18-25mm	+ 0.21 - 0.00	<input type="checkbox"/>	<input type="checkbox"/>
OVER 25mm	+ 0.25 - 0.00	<input type="checkbox"/>	<input type="checkbox"/>
GENERAL TOLERANCE			
Delete where not applicable.			
± 0.50mm (0.020")			
± 0.25mm (0.010")			
± 0.12mm (0.005")			
HOLE CENTRES ± 0.04"			
ALL ANGLES ± 0.50°			
Unless otherwise stated.			

MATL	DRN
FINISH	TRCD
SCALE	CHKD
<p>THIRD ANGLE PROJECTION THIS DRAWING TO COMPLY TO BS308.</p>	

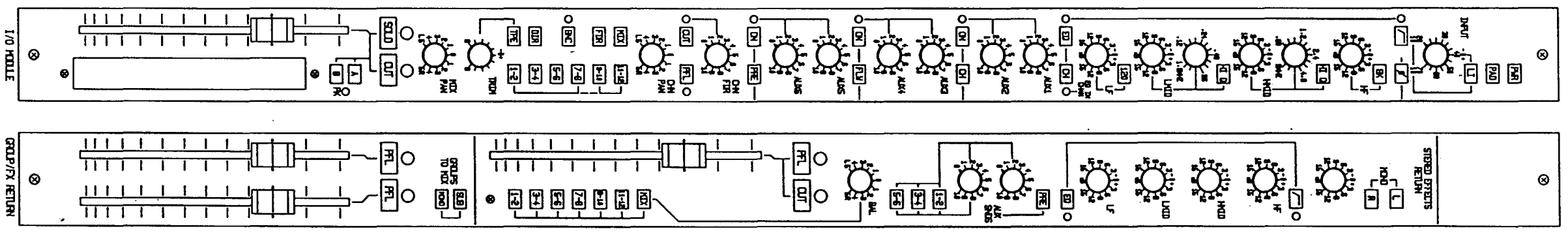
SOUNDCRAFT ELECTRONICS LTD
UNIT 2,
BOREHAMWOOD INDUSTRIAL PARK,
ROWLEY LANE,
BOREHAMWOOD,
HERTFORDSHIRE WD6 5PZ.
TELEPHONE : 01 207 5050
FACSIMILE No. 2070194

TITLE
**TS12 4-WAY
CHANNEL PATCH**

DRG. No. ED 2557



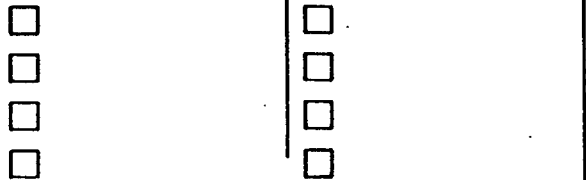
TOLERANCES HOLE SIZES AFTER PAINTING 0-3mm - + 0.10 - - 0.00 OVER 3-6mm - + 0.12 - - 0.00 OVER 6-10mm - + 0.15 - - 0.00 OVER 10-18mm - + 0.18 - - 0.00 OVER 18-25mm - + 0.21 - - 0.00 OVER 25mm - + 0.25 - - 0.00	GENERAL TOLERANCE Delete where not applicable. ± 0.50mm (0.020") ± 0.25mm (0.010") ± 0.12mm (0.005") HOLE CENTRES ± 0.004" ALL ANGLES ± 0.50° Unless otherwise stated.	HOLE INDEX <input type="checkbox"/> <input type="checkbox"/> <input type="checkbox"/> <input type="checkbox"/> <input type="checkbox"/> <input type="checkbox"/> <input type="checkbox"/> <input type="checkbox"/>	MATL	DRN	SOUNDCRAFT ELECTRONICS LTD UNIT 2, BOREHAMWOOD INDUSTRIAL PARK, ROWLEY LANE, BOREHAMWOOD, HERTFORDSHIRE WD6 5PZ. TELEPHONE: 01-207-5050 FACSIMILE No. 2070194	TITLE TS12 AUX/ECHO MASTER PATCH DRG. No. ED2552
			FINISH	TRCD		
			SCALE	CHKD		
			THIRD ANGLE PROJECTION THIS DRAWING TO COMPLY TO BS308.			



Soundcraft Electronics Limited
own the copyright of this drawing
which is not to be copied, reproduced
or disclosed, in part or whole, to a
third party without written permission.

NOTES

HOLE INDEX



TOLERANCES

HOLE SIZES AFTER PAINTING

0-3mm	= +0.10
	= -0.00
OVER 3-6mm	= +0.12
	= -0.00
OVER 6-10mm	= +0.15
	= -0.00
OVER 10-18mm	= +0.20
	= -0.00
OVER 18-25mm	= +0.21
	= -0.00
OVER 25mm	= +0.25
	= -0.00

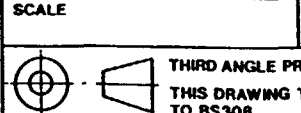
GENERAL TOLERANCES

Delete where not applicable.
± 0.60mm (0.025")
± 0.25mm (0.010")
± 0.12mm (0.005")
All angles ± 0.90°
Hole centres ± 0.004"

MATL

FINISH

SCALE



DRN

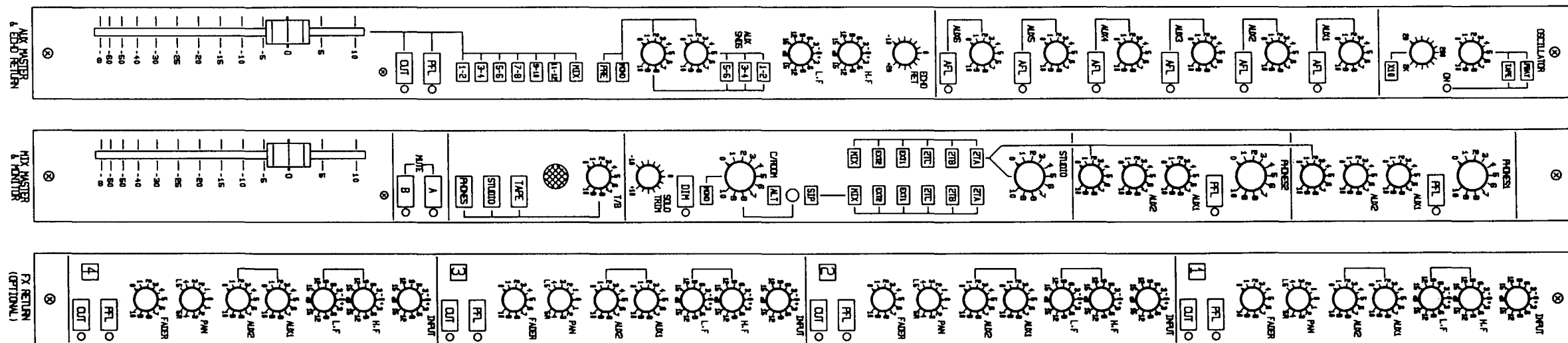
TRCD

CHKD

SOUNDCRAFT ELECTRONICS LTD
UNIT 2,
BOREHAMWOOD INDUSTRIAL PARK,
ROWLEY LANE,
BOREHAMWOOD,
HERTFORDSHIRE WD6 5PZ.
TELEPHONE: 01-207-5050
FACSIMILE No. 2070194

TITLE. TS12
MODULE LINE DRAWINGS

DRG No. M12541
SHEET 1 OF 2



Soundcraft Electronics Limited own the copyright of this drawing which is not to be copied, reproduced or disclosed, in part or whole, to a third party without written permission.

NOTES

HOLE INDEX

<input type="checkbox"/>	<input type="checkbox"/>
<input type="checkbox"/>	<input type="checkbox"/>
<input type="checkbox"/>	<input type="checkbox"/>
<input type="checkbox"/>	<input type="checkbox"/>
<input type="checkbox"/>	<input type="checkbox"/>

TOLERANCES

HOLE SIZES AFTER PAINTING

0-3mm	+0.30
	-0.00
OVER 3-6mm	+0.12
	-0.00
OVER 6-10mm	+0.50
	-0.00
OVER 10-18mm	+0.18
	+0.00
OVER 18-25mm	+0.25
	-0.00
OVER 25mm	+0.25
	-0.00

Unless otherwise stated.

GENERAL TOLERANCES

Delete where not applicable.

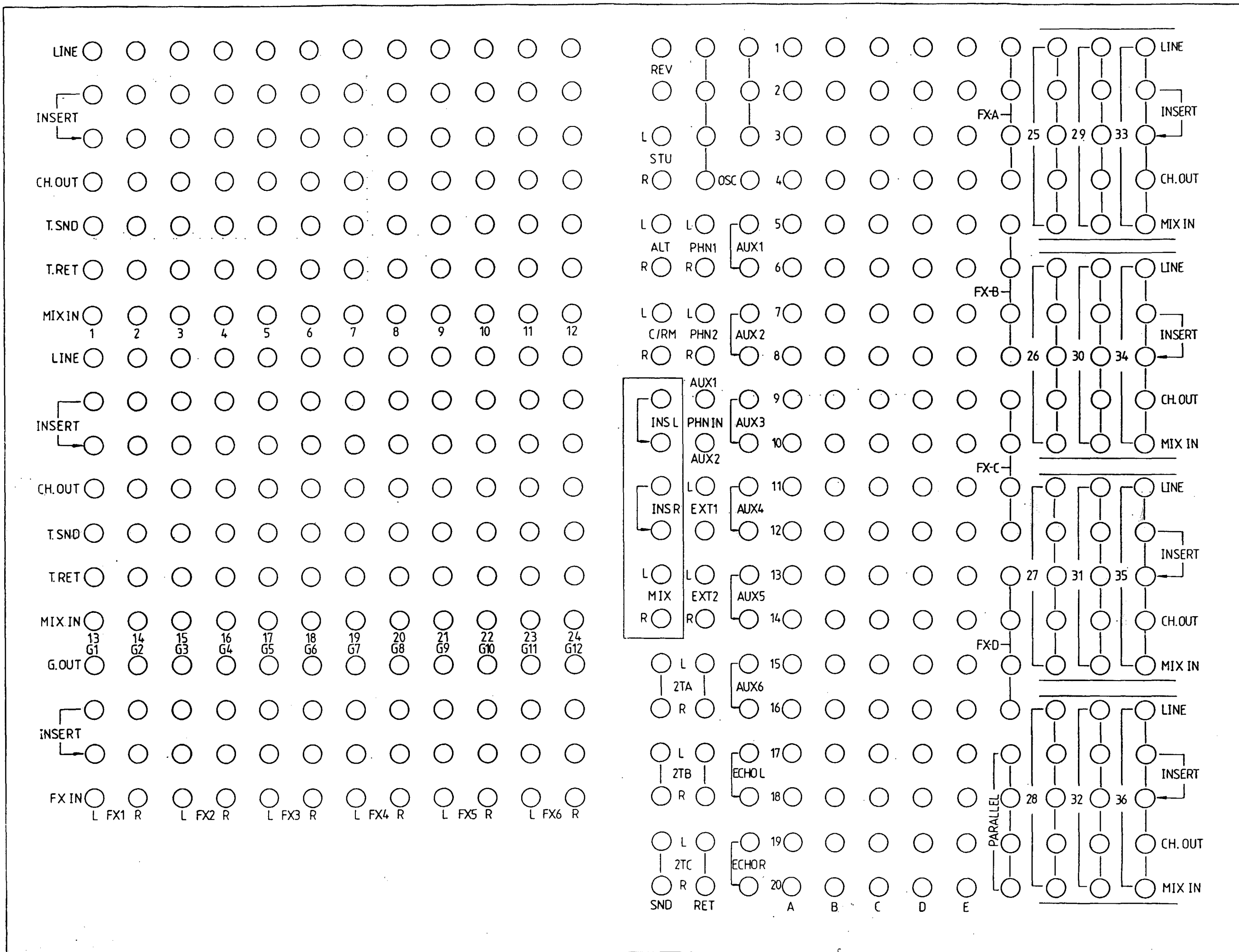
± 0.50mm (0.020")
± 0.25mm (0.010")
± 0.12mm (0.005")
All angles ± 0.5°
Hole centres ± 0.004"

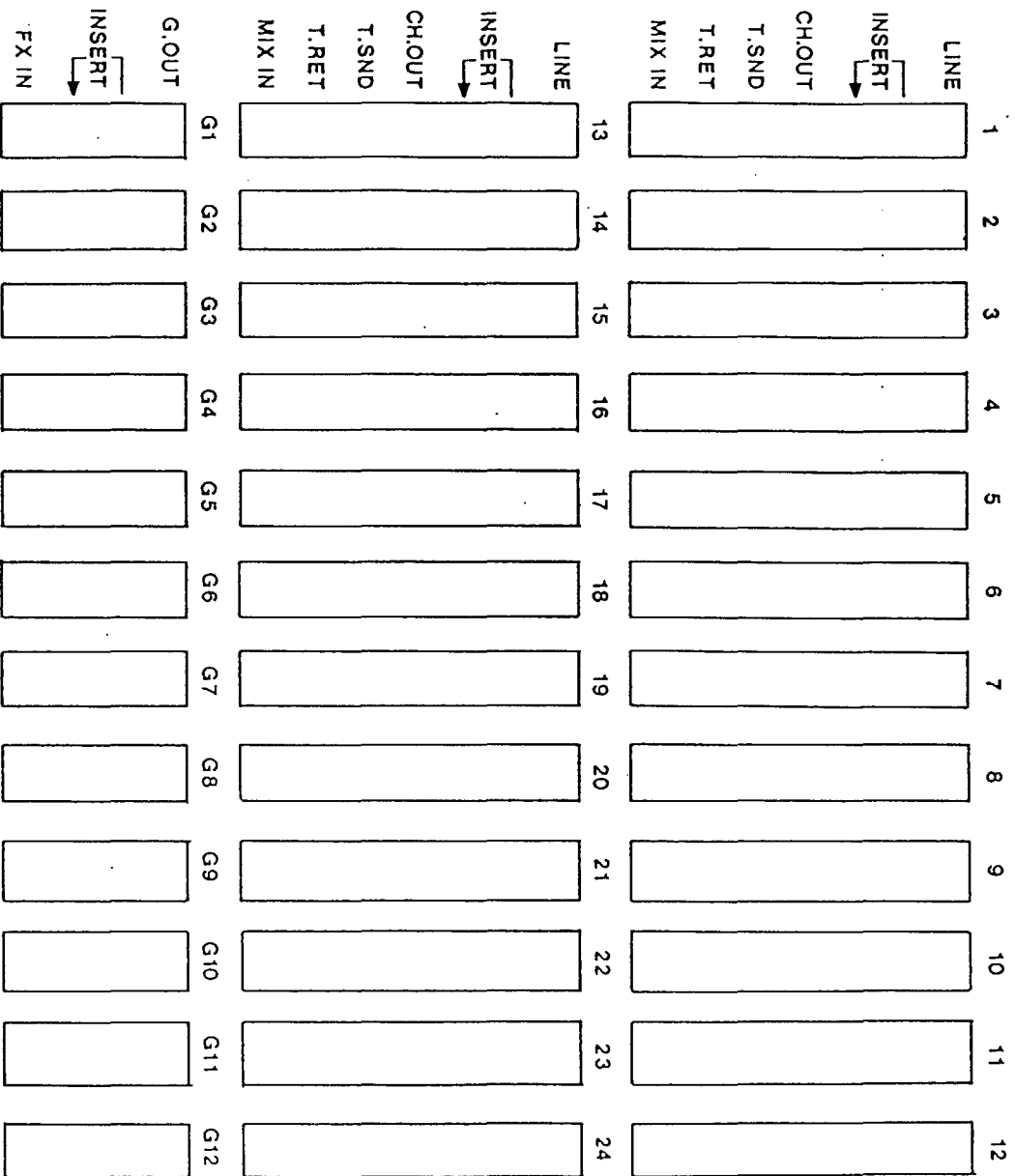
MATL	DRN
FINISH	TRCD
SCALE	CHKD
THIRD ANGLE PROJECTION THIS DRAWING TO COMPLY TO BS308.	

SOUNDCRAFT ELECTRONICS LTD
UNIT 2,
BOREHAMWOOD INDUSTRIAL PARK,
ROWLEY LANE,
BOREHAMWOOD,
HERTFORDSHIRE WD6 5PZ.
TELEPHONE: 01-207-5050
FACSIMILE No. 2070194

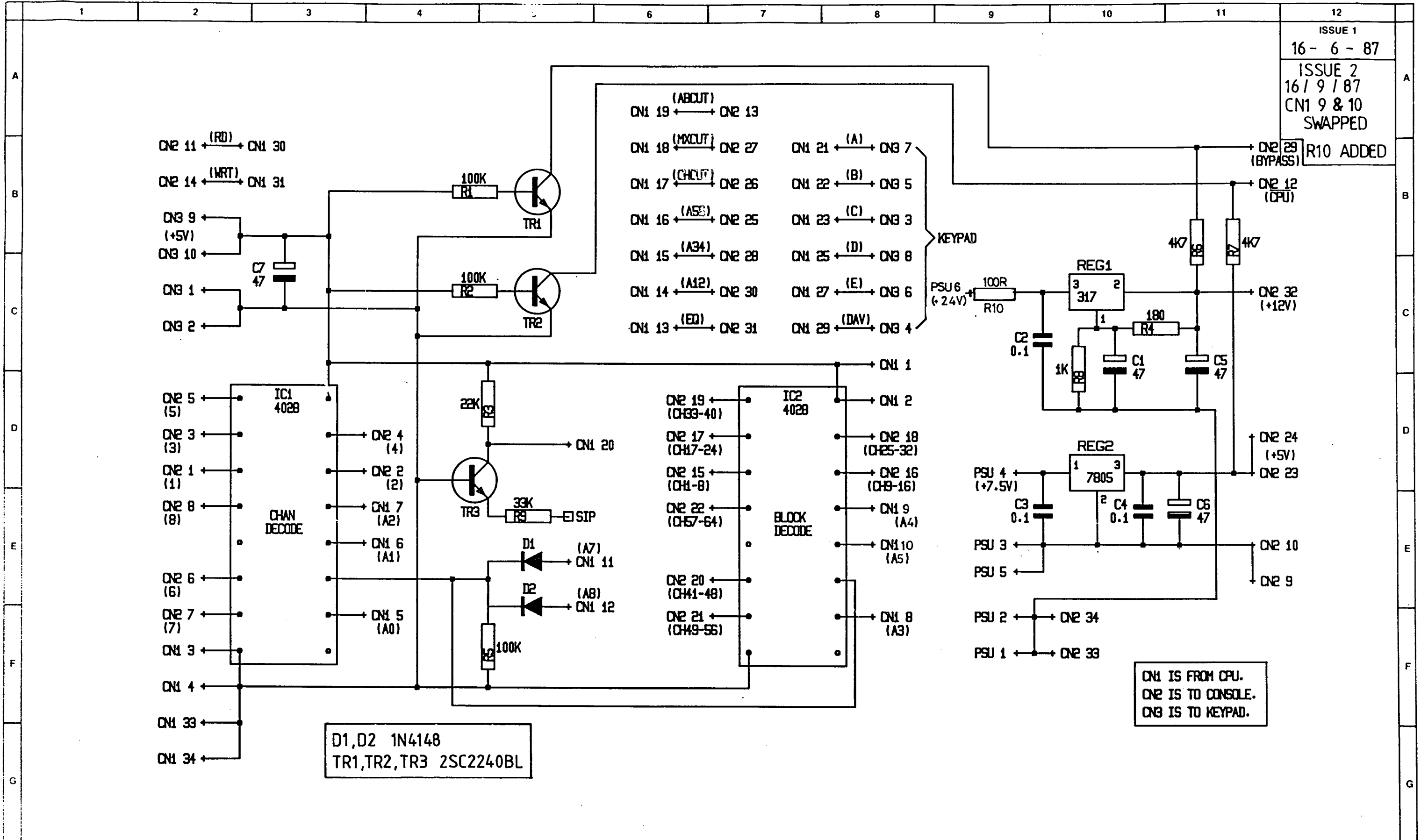
TITLE: TS 12
MODULE LINE DRAWING

DRG No. MI2541
SHEET 2 OF 2





OSC		AUX1		AUX2		AUX3		AUX4		AUX5		AUX6		ECHO L		ECHO R			
PHN1		PHN2		PHN IN		EXT 1		EXT 2		2TA RET		2TB RET		2TC RET		R			
REV	STU	ALT	C/RM	INSL	INSR	MIX	2TASND	2TBSND	2TCSND										
L	R	L	R	L	R	L	R	L	R	L	R	L	R	L	R	L	R		
EFFECTS A EFFECTS B EFFECTS C EFFECTS D PARALLEL																			
TIE LINES																			
1	2	3	4	5	6	7	8	9	10	11	12	13	14	15	16	17	18	19	20
TIE LINES																			
21	22	23	24	25	26	27	28	29	30	31	32	33	34	35	36	37	38	39	40
TIE LINES																			
41	42	43	44	45	46	47	48	49	50	51	52	53	54	55	56	57	58	59	60
TIE LINES																			
61	62	63	64	65	66	67	68	69	70	71	72	73	74	75	76	77	78	79	80
TIE LINES																			
81	82	83	84	85	86	87	88	89	90	91	92	93	94	95	96	97	98	99	100
TIE LINES																			
101	102	103	104	105	106	107	108	109	110	111	112	113	114	115	116	117	118	119	120
TIE LINES																			
121	122	123	124	125	126	127	128	129	130	131	132	133	134	135	136	137	138	139	140
TIE LINES																			
141	142	143	144	145	146	147	148	149	150	151	152	153	154	155	156	157	158	159	160
TIE LINES																			



TOLERANCES		GENERAL TOLERANCE	
HOLE SIZES AFTER PAINTING		Delete where not applicable.	
0-3mm	+0.10 -0.00	±0.50 mm (0.020")	
OVER 3-6mm	+0.12 -0.00	±0.25 mm (0.010")	
OVER 6-10mm	+0.15 -0.00	±0.12 mm (0.005")	
OVER 10-18mm	+0.18 -0.00	HOLE CENTRES ±0.004"	
OVER 18-25mm	+0.21 -0.00	ALL ANGLES ±0.50°	
OVER 25mm	+0.25 -0.00	Unless otherwise stated.	

NOTES.
ALL RESISTANCE VALUES ARE IN OHMS,
ALL CAPACITANCE VALUES ARE IN MICROFARADS
UNLESS OTHERWISE STATED.

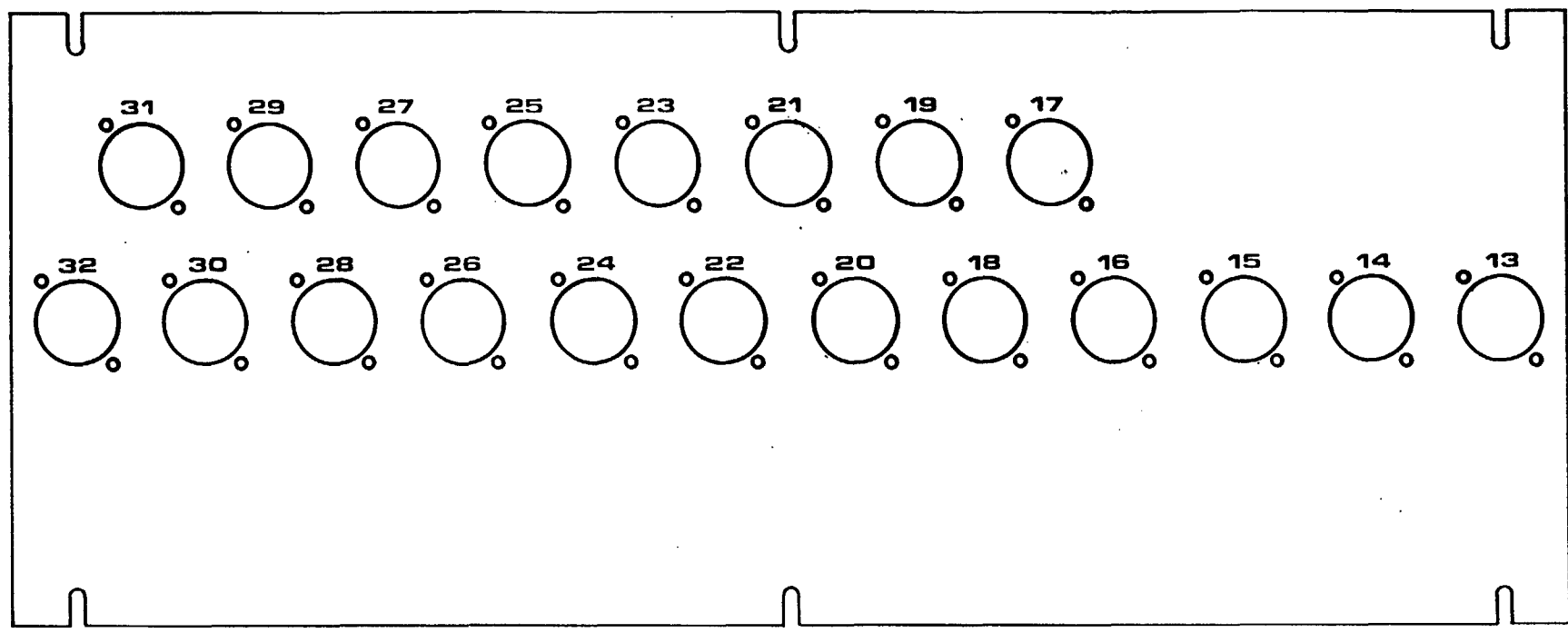
MATL	DRN GHB
FINISH	TRCD
SCALE	CHKD
 THIRD ANGLE PROJECTION THIS DRAWING TO COMPLY TO BS308.	

SOUNDCRAFT ELECTRONICS LTD
UNIT 2,
BOREHAMWOOD INDUSTRIAL PARK,
ROWLEY LANE,
BOREHAMWOOD,
HERTFORDSHIRE WD6 5PZ.
TELEPHONE: 01-207-5050
FACSIMILE No. 2070194

TITLE
**TS12
AUTO CPU INTERFACE**

DRG. No. ED 2563

12
 ISSUE P1
 26-2-87
 Iss 1
 PRODUCTION
 21-4-87



MIC. XLR TERMINATIONS FOR 25 TO 32CH OPTIONS

TOLERANCES
 HOLE SIZES AFTER PAINTING

0-3mm	+ 0.10	- 0.00
OVER 3-6mm	+ 0.12	- 0.00
OVER 6-10mm	+ 0.15	- 0.00
OVER 10-18mm	+ 0.18	- 0.00
OVER 18-25mm	+ 0.21	- 0.00
OVER 25mm	+ 0.25	- 0.00

GENERAL TOLERANCE
 Delete where not applicable.
 ± 0.50mm (0.020")
 ± 0.25mm (0.010")
 ± 0.12mm (0.005")
 HOLE CENTRES ± 0.004"
 ALL ANGLES ± 0.60°
 Unless otherwise stated.

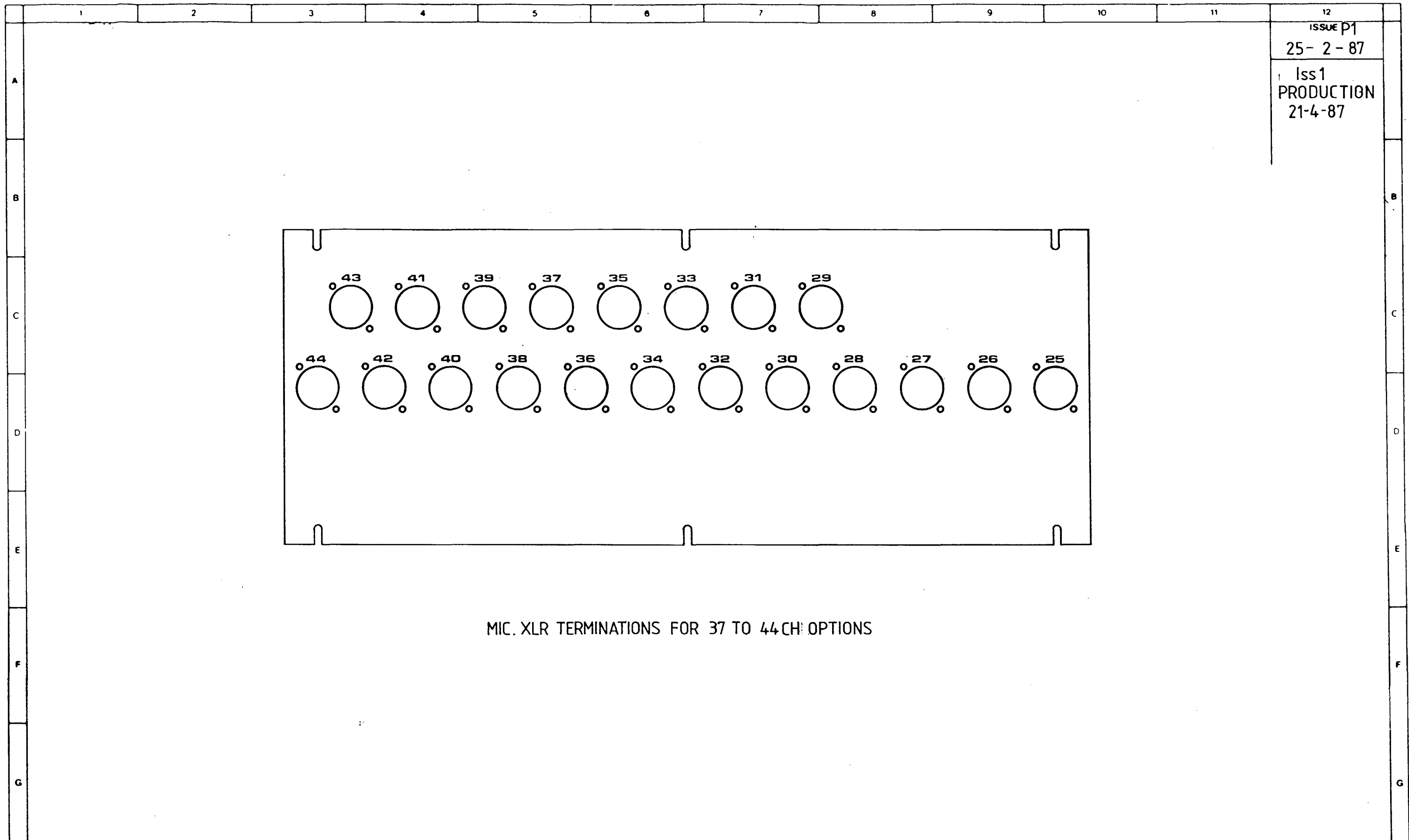
HOLE INDEX

<input type="checkbox"/>	<input type="checkbox"/>
<input type="checkbox"/>	<input type="checkbox"/>
<input type="checkbox"/>	<input type="checkbox"/>
<input type="checkbox"/>	<input type="checkbox"/>

MATL	DRN BTB
FINISH	TRCD
SCALE 1:2	CHKD
	THIRD ANGLE PROJECTION THIS DRAWING TO COMPLY TO BS308

SOUNDCRAFT ELECTRONICS LTD
 UNIT 2,
 BOREHAMWOOD INDUSTRIAL PARK,
 ROWLEY LANE,
 BOREHAMWOOD,
 HERTFORDSHIRE WD6 5PZ
 TELEPHONE 01 207 5050
 FACSIMILE No 2070194

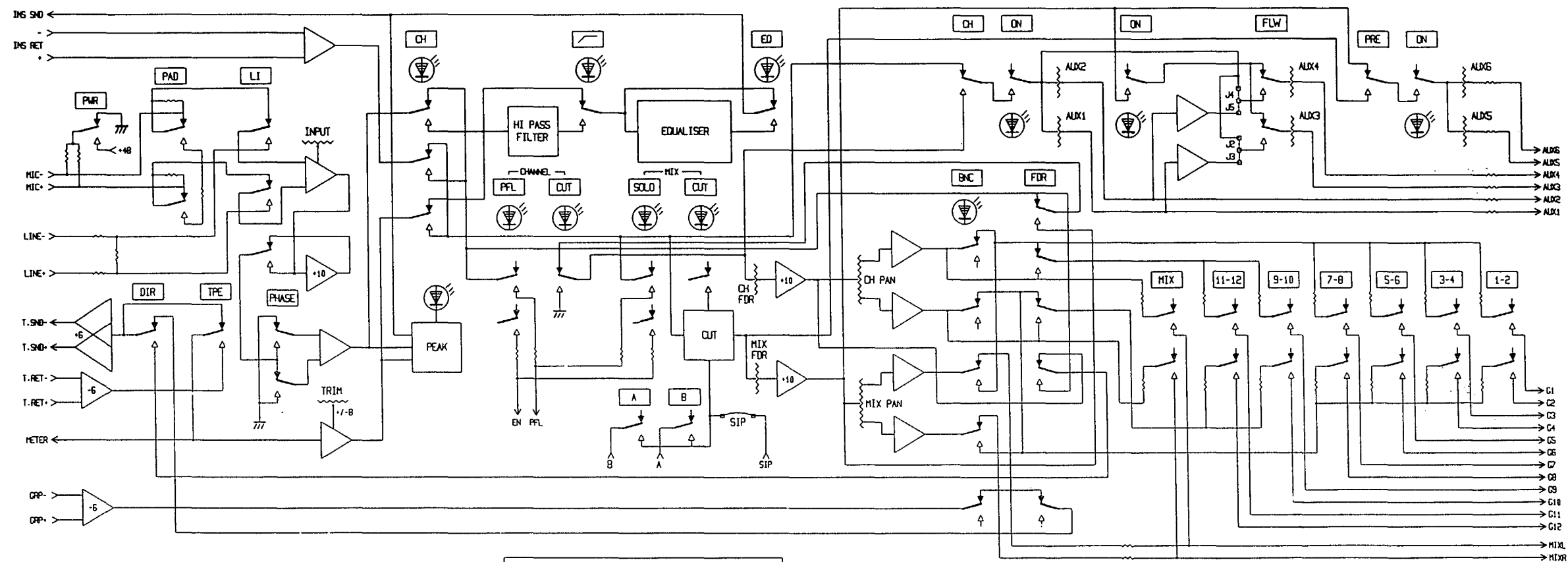
TITLE
**TS12
 20 WAY MIC
 CONN PNL**
 (25 TO 32 CHANNEL OPTIONS)
 DRG No **MI 2586**



ISSUE P1
25-2-87
Iss1
PRODUCTION
21-4-87

MIC. XLR TERMINATIONS FOR 37 TO 44 CH. OPTIONS

<p>TOLERANCES HOLE SIZES AFTER PAINTING</p> <p>0-3mm + 0.10 - 0.00</p> <p>OVER 3-6mm + 0.12 - 0.00</p> <p>OVER 6-10mm + 0.15 - 0.00</p> <p>OVER 10-15mm + 0.18 - 0.00</p> <p>OVER 15-25mm + 0.21 - 0.00</p> <p>OVER 25mm + 0.25 - 0.00</p>	<p>GENERAL FINISHANCE</p> <p>Delete where not applicable.</p> <p>± 0.05mm (0.002")</p> <p>± 0.25mm (0.010")</p> <p>± 0.12mm (0.005")</p> <p>HOLE CENTRES ± 0.04"</p> <p>ALL ANGLES ± 0.04"</p> <p>Unless otherwise stated.</p>	<p>HOLE INDEX</p> <p><input type="checkbox"/></p> <p><input type="checkbox"/></p> <p><input type="checkbox"/></p> <p><input type="checkbox"/></p>	<p><input type="checkbox"/></p> <p><input type="checkbox"/></p> <p><input type="checkbox"/></p> <p><input type="checkbox"/></p>	<p>MATL</p> <p>FINISH</p> <p>SCALE 1:2</p>	<p>DRN BTB</p> <p>TRCD</p> <p>CHKD</p>	<p>SOUNDCRAFT ELECTRONICS LTD UNIT 2, BOREHAMWOOD INDUSTRIAL PARK, ROWLEY LANE, BOREHAMWOOD, HERTFORDSHIRE WD6 5PZ. TELEPHONE: 01-207-5050 FACSIMILE No. 2070194</p>	<p>TITLE</p> <p>TS12 20 WAY MIC CONN PNL (37 TO 44 CHANNEL OPTIONS)</p> <p>DRG. No. MI 2583</p>
---	---	--	---	--	--	--	--



TS12 I/O MODULE BLOCK DIAGRAM.

Soundcraft Electronics Limited own the copyright of this drawing which is not to be copied, reproduced or disclosed, in part or whole, to a third party without written permission.

NOTES

HOLE INDEX	
<input type="checkbox"/>	<input type="checkbox"/>
<input type="checkbox"/>	<input type="checkbox"/>
<input type="checkbox"/>	<input type="checkbox"/>
<input type="checkbox"/>	<input type="checkbox"/>

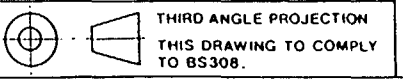
TOLERANCES	
HOLE SIZES AFTER PAINTING	
0-3mm	+0.30
	-0.00
OVER 3-6mm	+0.12
	-0.00
OVER 6-10mm	+0.15
	-0.00
OVER 10-18mm	+0.18
	-0.00
OVER 18-25mm	+0.21
	-0.00
OVER 25mm	+0.25
	-0.00

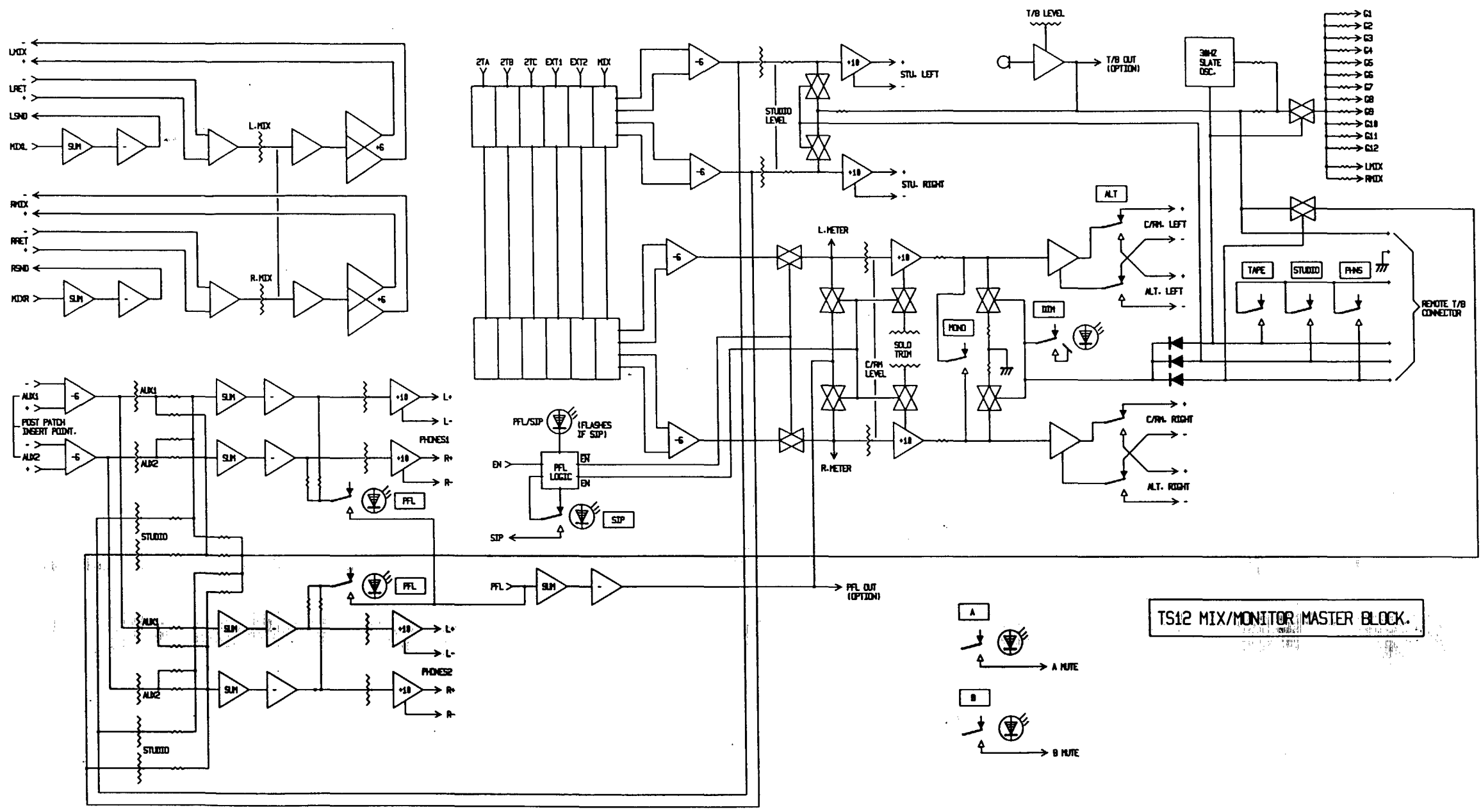
GENERAL TOLERANCES	
Delete where not applicable.	
± 0.50mm	(0.020")
± 0.25mm	(0.010")
± 0.12mm	(0.005")
All angles ± 0.5°	
Hole centres ± 0.004"	

MATERIALS	
FINISH	
SCALE	

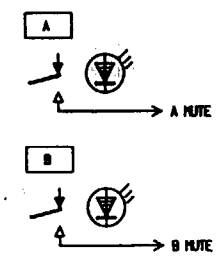
DRN
TRCD
CHKD

SOUNDCRAFT ELECTRONICS LTD
UNIT 2,
BOREHAMWOOD INDUSTRIAL PARK,
ROWLEY LANE,
BOREHAMWOOD,
HERTFORDSHIRE WD6 5PZ.
TELEPHONE: 01-207-5050
FACSIMILE No. 2070194





TS12 MIX/MONITOR MASTER BLOCK.



Soundcraft Electronics Limited own the copyright of this drawing which is not to be copied, reproduced or disclosed, in part or whole, to a third party without written permission.

NOTES

HOLE INDEX	
<input type="checkbox"/>	<input type="checkbox"/>
<input type="checkbox"/>	<input type="checkbox"/>
<input type="checkbox"/>	<input type="checkbox"/>
<input type="checkbox"/>	<input type="checkbox"/>

TOLERANCES	
HOLE SIZES AFTER PAINTING	
0-3mm	+0.10
	-0.00
OVER 3-6mm	+0.15
	-0.00
OVER 6-10mm	+0.15
	-0.00
OVER 10-18mm	+0.18
	-0.00
OVER 18-25mm	+0.21
	-0.00
OVER 25mm	+0.25
	-0.00

GENERAL TOLERANCES	
Delete where not applicable.	
± 0.50mm	(0.020")
± 0.25mm	(0.010")
± 0.12mm	(0.005")
All angles ± 0.50°	
Hole centres ± 0.004"	

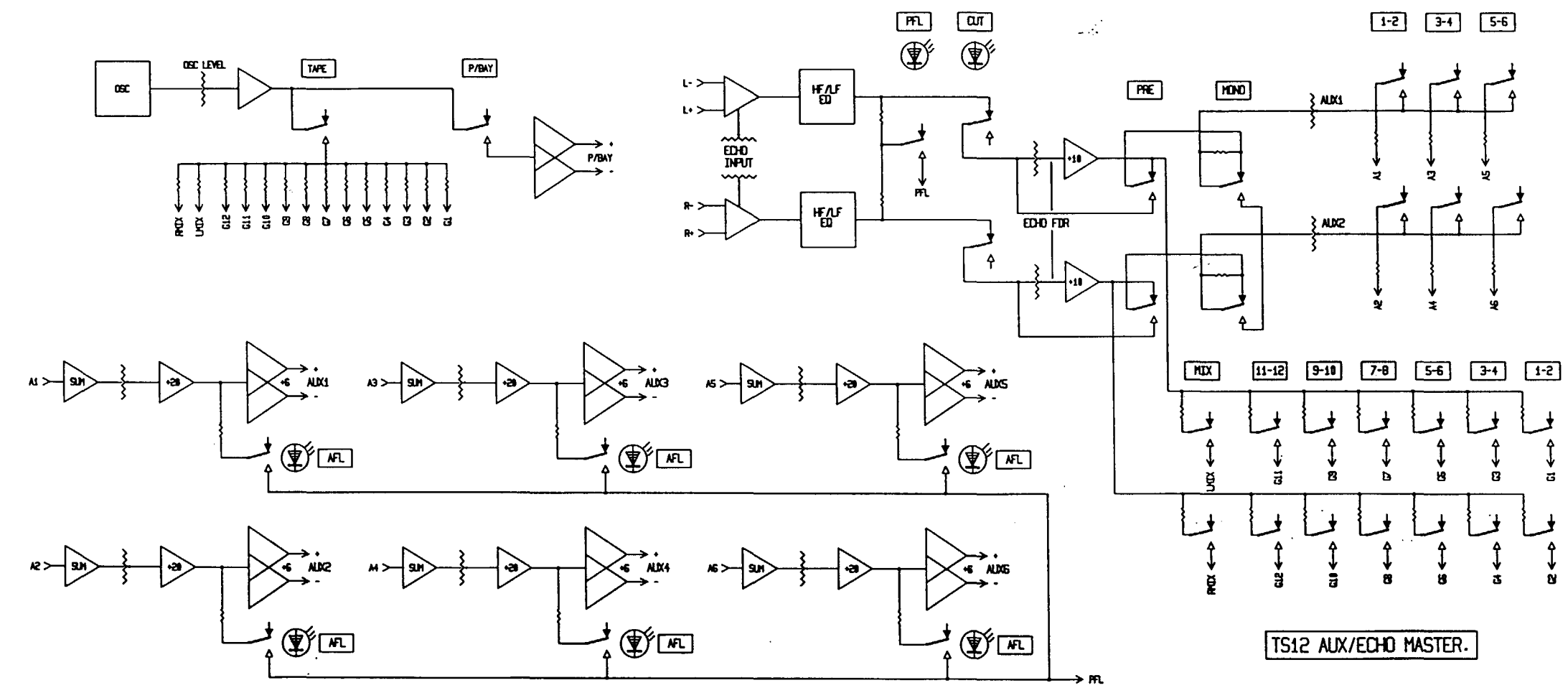
MATL	DRN
FINISH	TRCD
SCALE	CHKD

THIRD ANGLE PROJECTION
THIS DRAWING TO COMPLY TO BS308.

SOUNDCRAFT ELECTRONICS LTD
UNIT 2,
BOREHAMWOOD INDUSTRIAL PARK,
ROWLEY LANE,
BOREHAMWOOD,
HERTFORDSHIRE WD6 5PZ.
TELEPHONE: 01-207-5050
FACSIMILE No. 2070194

TITLE
TS12 MIX/MONITOR
MASTER BLOCK

DRG No. MI 2539



TS12 AUX/ECHO MASTER.

Soundcraft Electronics Limited own the copyright of this drawing which is not to be copied, reproduced or disclosed, in part or whole, to a third party without written permission.

NOTES

HOLE INDEX	
<input type="checkbox"/>	<input type="checkbox"/>
<input type="checkbox"/>	<input type="checkbox"/>
<input type="checkbox"/>	<input type="checkbox"/>
<input type="checkbox"/>	<input type="checkbox"/>

TOLERANCES	
HOLE SIZES AFTER PAINTING	
0-3mm	+0.10 -0.00
OVER 3-6mm	+0.12 -0.00
OVER 6-10mm	+0.15 -0.00
OVER 10-18mm	+0.18 -0.00
OVER 18-25mm	+0.21 -0.00
OVER 25mm	+0.25 -0.00

GENERAL TOLERANCES	
Delete where not applicable.	
± 0.50mm	(0.020")
± 0.25mm	(0.010")
± 0.12mm	(0.005")
All angles ± 0.5°	
Hole centres ± 0.004"	

MATH	
FINISH	
SCALE	

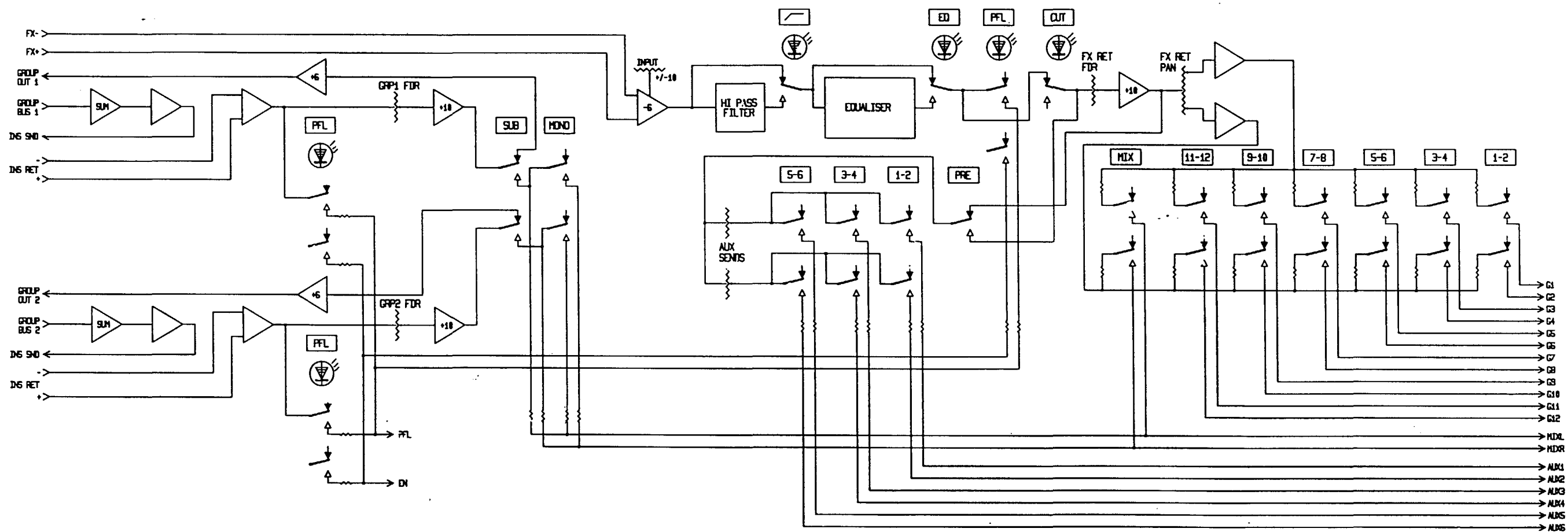
THIRD ANGLE PROJECTION
THIS DRAWING TO COMPLY TO BS308.

DRN
TRCD
CHKD

SOUNDRAFT ELECTRONICS LTD
UNIT 2,
BOREHAMWOOD INDUSTRIAL PARK,
ROWLEY LANE,
BOREHAMWOOD,
HERTFORDSHIRE WD6 5PZ.
TELEPHONE: 01-207-5050
FACSIMILE No. 2070194

TITLE
TS12 AUX/ECHO
MASTER BLOCK

DRG No. M12538



TS12 GRP/FX RETURN MODULE BLOCK DIAGRAM

Soundcraft Electronics Limited own the copyright of this drawing which is not to be copied, reproduced or disclosed, in part or whole, to a third party without written permission.

NOTES

HOLE INDEX

<input type="checkbox"/>	<input type="checkbox"/>
<input type="checkbox"/>	<input type="checkbox"/>
<input type="checkbox"/>	<input type="checkbox"/>
<input type="checkbox"/>	<input type="checkbox"/>
<input type="checkbox"/>	<input type="checkbox"/>

TOLERANCES

HOLE SIZES AFTER PAINTING

0-3mm	+0.10
	-0.00
OVER 3-6mm	+0.12
	-0.00
OVER 6-10mm	+0.15
	-0.00
OVER 10-16mm	+0.18
	-0.00
OVER 16-25mm	+0.21
	-0.00
OVER 25mm	+0.25
	-0.00

GENERAL TOLERANCES
Delete where not applicable.

± 0.50 mm (0.020")
± 0.25 mm (0.010")
± 0.12 mm (0.005")

All angles ± 0.50°
Hole centres ± 0.004"

Unless otherwise stated.

MATL

FINISH

SCALE

DRN

TRCD

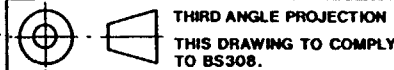
CHKD

SOUNDCRAFT ELECTRONICS LTD
UNIT 2,
BOREHAMWOOD INDUSTRIAL PARK,
ROWLEY LANE,
BOREHAMWOOD,
HERTFORDSHIRE WD6 5PZ.
TELEPHONE: 01-207-5050
FACSIMILE No. 2070194

TITLE

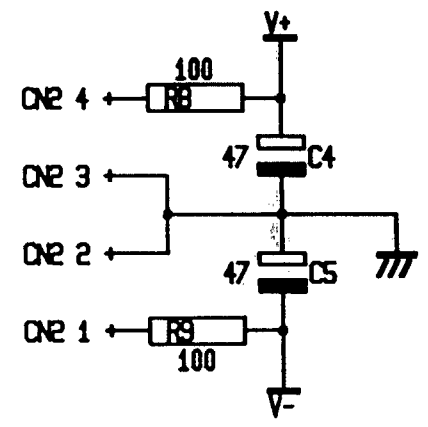
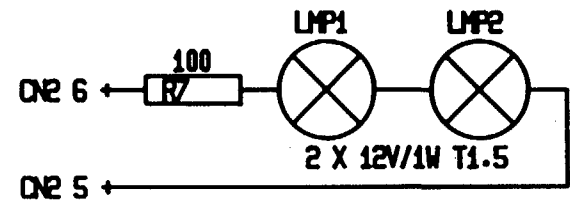
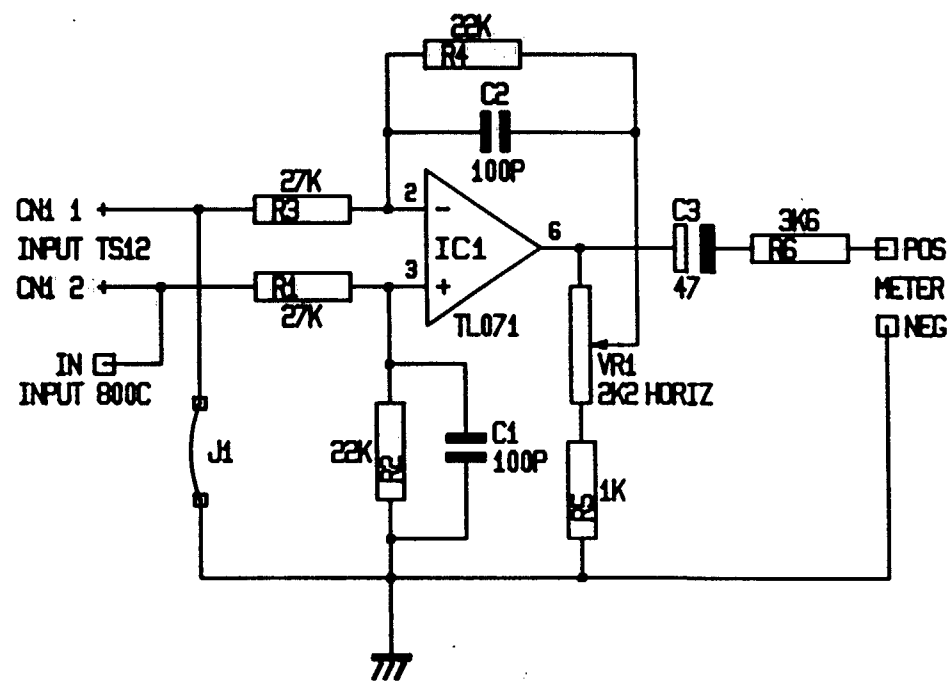
TS12 GRP/FX
RETURN MODULE
BLOCK DIAGRAM

DRG No. MI2540



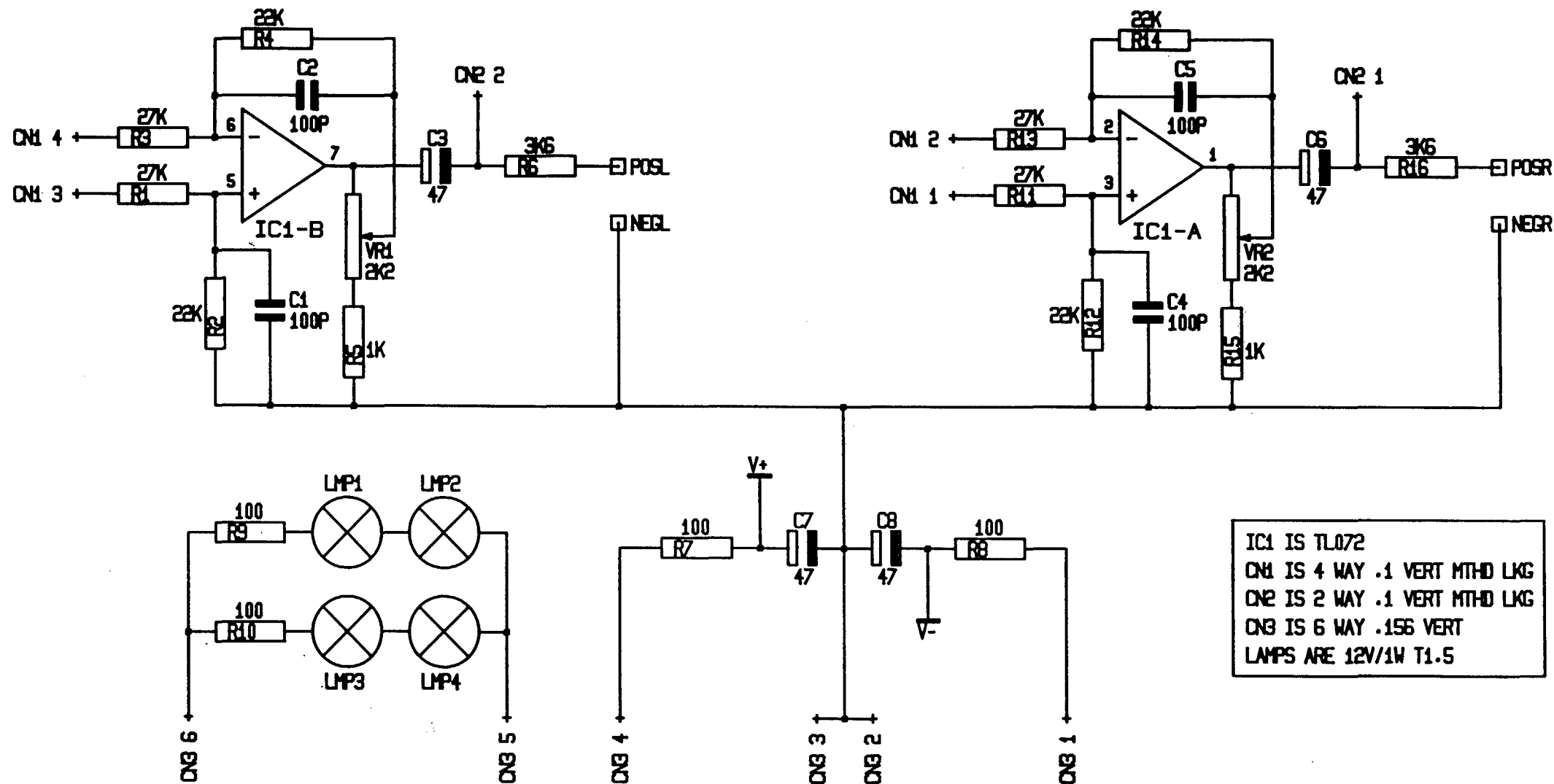
ISSUE 1.
PRODUCTION
3-11-86

CN1 IS 2 WAY .1' VERT MLE METHODE.
CN2 IS 6 WAY .156' VERT MLE.
FOR 800C, FIT J1 AND WIRE TO 'IN' PIN.



<p>TOLERANCES HOLE SIZES AFTER PAINTING</p> <p>0-3mm - +0.10 / -0.00</p> <p>OVER 3-6mm - +0.12 / -0.00</p> <p>OVER 6-10mm - +0.15 / -0.00</p> <p>OVER 10-18mm - +0.18 / -0.00</p> <p>OVER 18-25mm - +0.21 / -0.00</p> <p>OVER 25mm - +0.25 / -0.00</p>	<p>GENERAL TOLERANCE</p> <p>Delete where not applicable.</p> <p>± 0.05mm (0.020")</p> <p>± 0.25mm (0.010")</p> <p>± 0.12mm (0.005")</p> <p>HOLE CENTRES ± 0.004"</p> <p>ALL ANGLES ± 0.50°</p> <p>Unless otherwise stated.</p>	<p>HOLE INDEX</p> <p><input type="checkbox"/></p> <p><input type="checkbox"/></p> <p><input type="checkbox"/></p> <p><input type="checkbox"/></p>	<p><input type="checkbox"/></p> <p><input type="checkbox"/></p> <p><input type="checkbox"/></p> <p><input type="checkbox"/></p>	<p>MATL</p> <p>FINISH</p> <p>SCALE</p> <p>DRN</p> <p>TRCD</p> <p>CHKD</p> <p>THIRD ANGLE PROJECTION</p> <p>THIS DRAWING TO COMPLY TO BS308.</p>	<p>SOUNDCRAFT ELECTRONICS LTD</p> <p>UNIT 2, BOREHAMWOOD INDUSTRIAL PARK, ROWLEY LANE, BOREHAMWOOD, HERTFORDSHIRE WD6 5PZ.</p> <p>TELEPHONE: 01-207-5050</p> <p>FACSIMILE No. 2070194</p>	<p>TITLE</p> <p>TS 12 / 8000 MONO METER</p> <p>ORG.No. ED 2554</p>
---	---	--	---	---	---	---

ISSUE 1
 PRODUCTION
 3-11-86



IC1 IS TL072
 CN1 IS 4 WAY .1 VERT MTHD LKG
 CN2 IS 2 WAY .1 VERT MTHD LKG
 CN3 IS 6 WAY .156 VERT
 LAMPS ARE 12V/1W T1.5

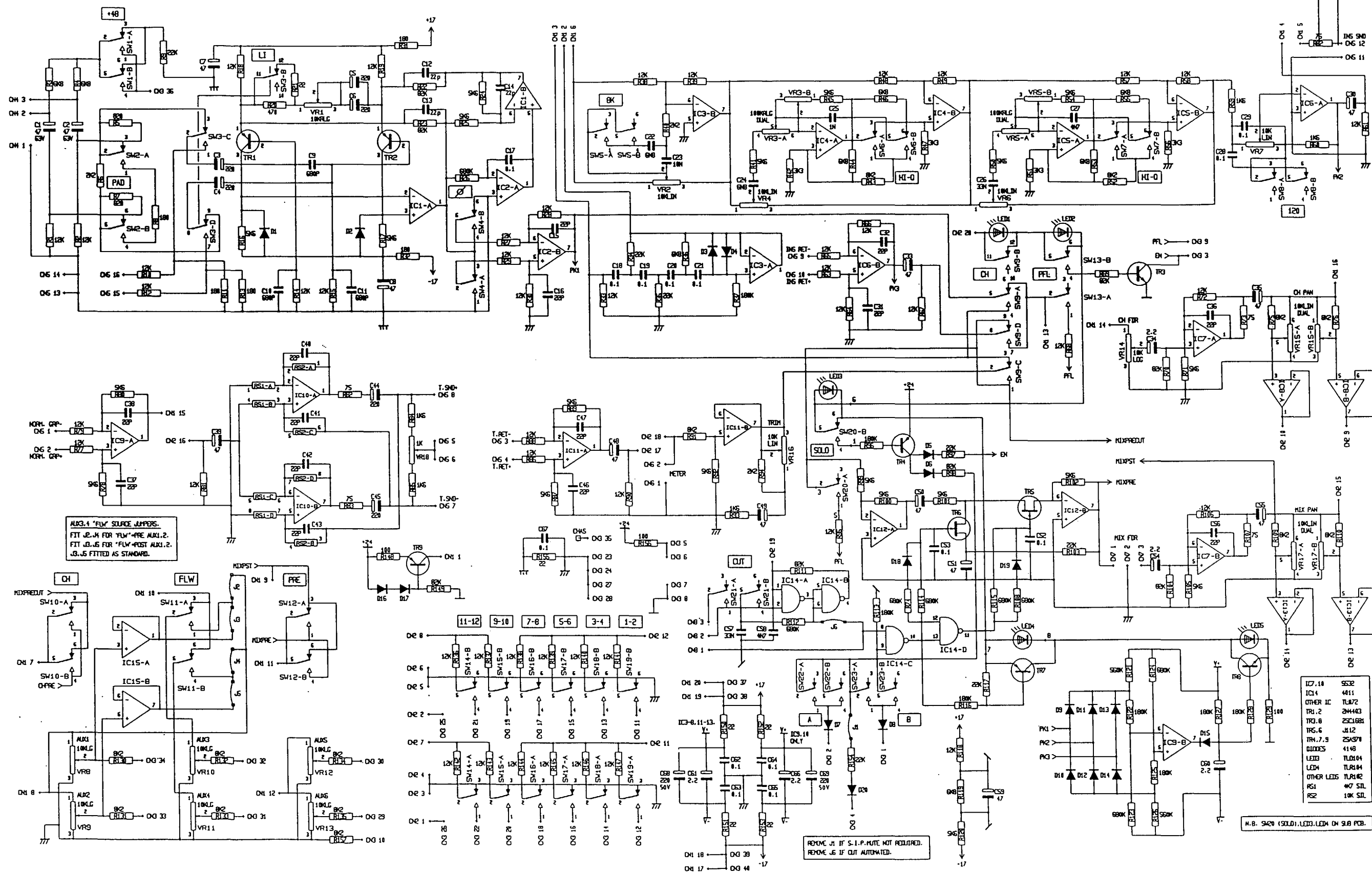
TOLERANCES		GENERAL TOLERANCE	
HOLE SIZES AFTER PAINTING		Delete where not applicable.	
0-3mm	+ 0.10 - 0.00	± 0.50mm (0.020")	
OVER 3-6mm	+ 0.12 - 0.00	± 0.25mm (0.010")	
OVER 6-10mm	+ 0.15 - 0.00	± 0.12mm (0.005")	
OVER 10-18mm	+ 0.18 - 0.00	HOLE CENTRES ± 0.004"	
OVER 18-25mm	+ 0.21 - 0.00	ALL ANGLES ± 0.50°	
OVER 25mm	+ 0.25 - 0.00	Unless otherwise stated.	

HOLE INDEX	
<input type="checkbox"/>	<input type="checkbox"/>
<input type="checkbox"/>	<input type="checkbox"/>
<input type="checkbox"/>	<input type="checkbox"/>
<input type="checkbox"/>	<input type="checkbox"/>

MATL	DRN GHB
FINISH	TRCD
SCALE	CHKD
THIRD ANGLE PROJECTION THIS DRAWING TO COMPLY TO BS308.	

SOUNDCRAFT ELECTRONICS LTD
 UNIT 2,
 BOREHAMWOOD INDUSTRIAL PARK,
 ROWLEY LANE,
 BOREHAMWOOD,
 HERTFORDSHIRE WD6 5PZ.
 TELEPHONE: 01-207-5050
 FACSIMILE No. 2070194

TITLE
 TS 12
 MASTER METER.
 DRG.No. ED 2555



ALX3.1 "FLW" SOURCE JUMPER.
 FIT J2.4H FOR "FLW" PRE ALX1.2.
 FIT J3.4S FOR "FLW" POST ALX1.2.
 J3.4S FITTED AS STANDARD.

REMOVE J1 IF S.I.P. MUTE NOT REQUIRED.
 REMOVE J6 IF CUT AUTOMATED.

N.B. SMD (SOLD) LEDS LEAD ON SUB PCB.

IC7,18	5532
IC14	4811
OTHER IC	TL072
TR1,2	2N4403
TR3,6	2N3168
TR4,7,9	2N3638
DIODES	1N4148
LEDS	TL064
LED4	TL064
OTHER LEDS	TL062
RS1	407 SIL
RS2	10K SIL

Soundcraft Electronics Limited own the copyright of this drawing which is not to be copied, reproduced or disclosed, in part or whole, to a third party without written permission.

NOTES

HOLE INDEX

<input type="checkbox"/>	<input type="checkbox"/>
<input type="checkbox"/>	<input type="checkbox"/>
<input type="checkbox"/>	<input type="checkbox"/>
<input type="checkbox"/>	<input type="checkbox"/>

TOLERANCES

MOLE SIZES AFTER PAINTING

0-3mm	+0.30
	-0.00
OVER 3-6mm	+0.12
	-0.00
OVER 6-10mm	+0.15
	-0.00
OVER 10-18mm	+0.38
	-0.00
OVER 18-25mm	+0.21
	-0.00
OVER 25mm	+0.25
	-0.00

Unless otherwise stated.

GENERAL TOLERANCES
 Delete where not applicable.

1.0-60mm (0.020")	± 0.25mm (0.010")
1.0-25mm (0.010")	± 0.12mm (0.005")

All angles ≥ 0.50°
 Hole centres ≥ 0.004"

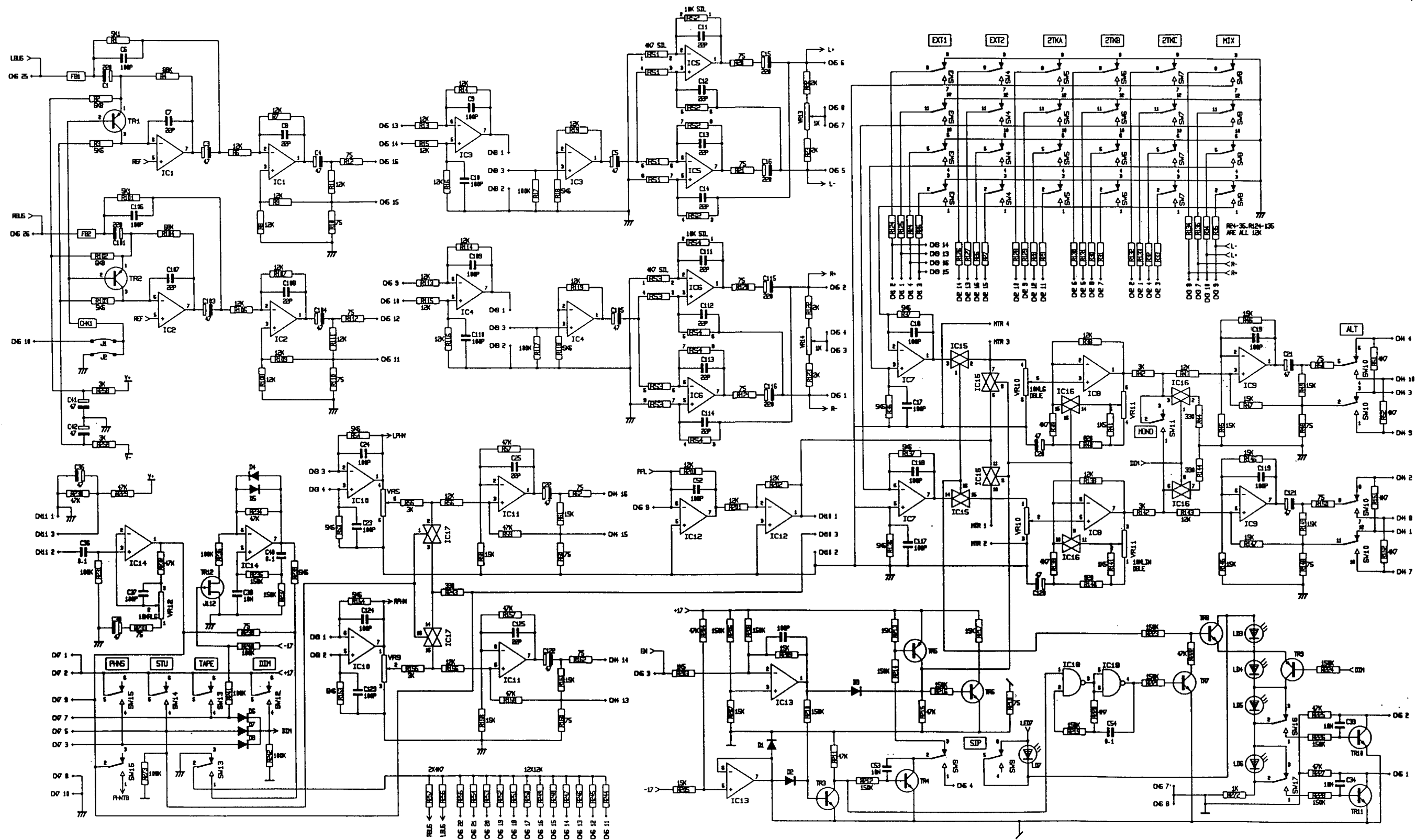
MATL	DRN
FINISH	TRCD
SCALE	CHKD

THIRD ANGLE PROJECTION
 THIS DRAWING TO COMPLY TO BS308.

SOUNDCRAFT ELECTRONICS LTD
 UNIT 2,
 BOREHAMWOOD INDUSTRIAL PARK,
 ROWLEY LANE,
 BOREHAMWOOD,
 HERTFORDSHIRE WD6 5PZ.
 TELEPHONE: 01-207-5050
 FACSIMILE No. 2070194

TITLE
 TS 12
 1/10 R.H. SCHEMATIC

ORG No. ED 2542



Soundcraft Electronics Limited own the copyright of this drawing which is not to be copied, reproduced or disclosed, in part or whole, to a third party without written permission.

NOTES

HOLE INDEX

<input type="checkbox"/>	<input type="checkbox"/>
<input type="checkbox"/>	<input type="checkbox"/>
<input type="checkbox"/>	<input type="checkbox"/>
<input type="checkbox"/>	<input type="checkbox"/>

TOLERANCES

HOLE SIZES AFTER PAINTING

0-3mm	+0.30
OVER 3-6mm	+0.12
OVER 6-10mm	+0.06
OVER 10-16mm	+0.18
OVER 16-25mm	+0.21
OVER 25mm	+0.25
	-0.00

GENERAL TOLERANCES

Delete where not applicable.

± 0.50 mm (0.020")
± 0.25 mm (0.010")
± 0.12 mm (0.005")

All angles ± 0.50°
Hole centres ± 0.004"

Unless otherwise stated.

MATL _____

FINISH _____

SCALE _____

THIRD ANGLE PROJECTION
THIS DRAWING TO COMPLY TO BS308.

DRN G.B.

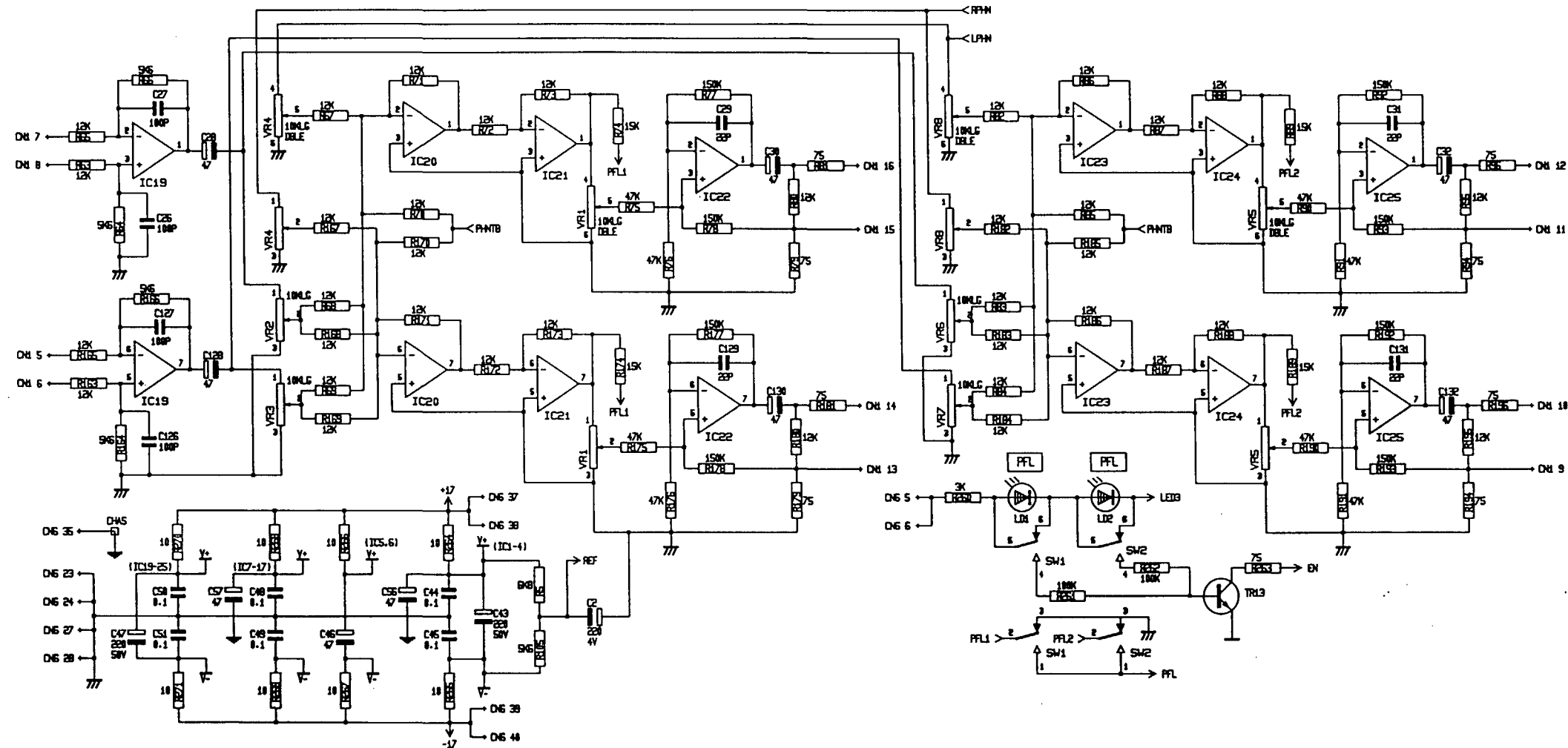
TRCD _____

CHKD _____

SOUNDCRAFT ELECTRONICS LTD
UNIT 2,
BOREHAMWOOD INDUSTRIAL PARK,
ROWLEY LANE,
BOREHAMWOOD,
HERTFORDSHIRE WD6 5PZ.
TELEPHONE: 01-207-5050
FACSIMILE No. 2070194

TITLE TS12
MIX / MONITOR
MASTER SHT. 1 OF 2

DRG No. ED 2545



Soundcraft Electronics Limited own the copyright of this drawing which is not to be copied, reproduced or disclosed, in part or whole, to a third party without written permission.

NOTES

HOLE INDEX



TOLERANCES

HOLE SIZES AFTER PAINTING

0-3mm	+0.10
OVER 3-6mm	+0.12
OVER 6-10mm	+0.15
OVER 10-16mm	+0.20
OVER 16-25mm	+0.21
OVER 25mm	+0.25

GENERAL TOLERANCES

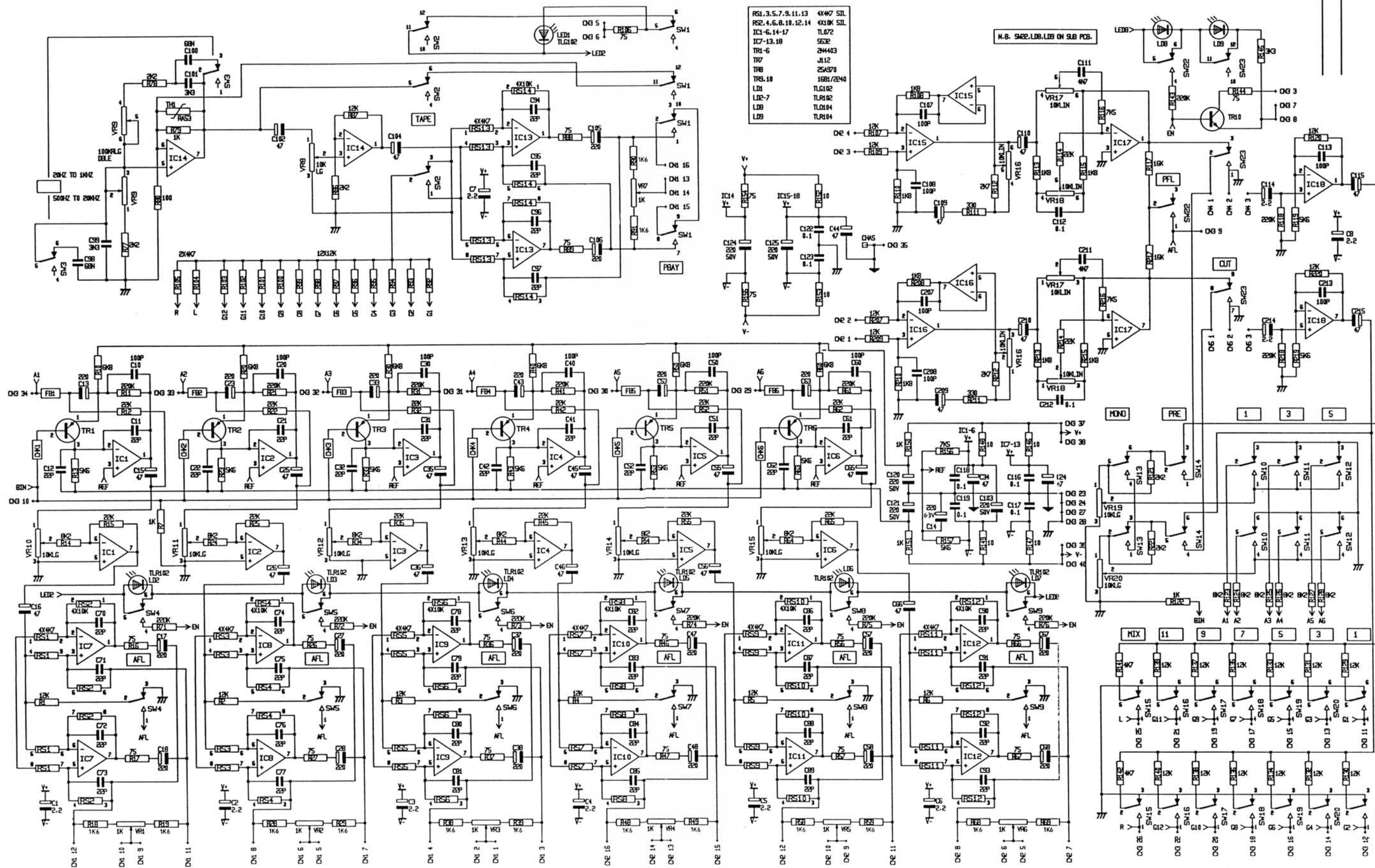
Delete where not applicable.
 ± 0.50 mm (0-020")
 ± 0.25 mm (0-010")
 ± 0.12 mm (0-005")
 All angles ± 0.50°
 Hole centres ± 0.004"

MATL	_____
FINISH	_____
SCALE	_____

THIRD ANGLE PROJECTION
THIS DRAWING TO COMPLY TO BS308.

SOUNDCRAFT ELECTRONICS LTD
 UNIT 2,
 BOREHAMWOOD INDUSTRIAL PARK,
 ROWLEY LANE,
 BOREHAMWOOD,
 HERTFORDSHIRE WD6 5PZ.
 TELEPHONE: 01-207-5050
 FACSIMILE No. 2070194

TITLE
 TS 12
 MIX/MONITOR
 MASTER
 SHEET 2 OF 2
 DRG No. ED2545



- RS1,3,5,7,9,11,13 4X40 SIL
 RS2,4,6,8,10,12,14 4X10K SIL
 IC1-6,14-17 TL072
 IC7-13,18 SCS2
 TR1-6 2N4403
 TR7 J12
 TR8 2SA970
 TR9,10 16N1/2C40
 LD1 TL0102
 LD2-7 TL0102
 LD8 TL0104
 LD9 TL0104

N.B. SW22,LD8,LD9 ON SUB PCB.

Soundcraft Electronics Limited own the copyright of this drawing which is not to be copied, reproduced or disclosed, in part or whole, to a third party without written permission.

NOTES

HOLE INDEX

<input type="checkbox"/>	<input type="checkbox"/>
<input type="checkbox"/>	<input type="checkbox"/>
<input type="checkbox"/>	<input type="checkbox"/>
<input type="checkbox"/>	<input type="checkbox"/>
<input type="checkbox"/>	<input type="checkbox"/>

TOLERANCES

HOLE SIZES AFTER PAINTING

0-3mm	+0.10
	-0.00
OVER 3-6mm	+0.12
	-0.00
OVER 6-10mm	+0.15
	-0.00
OVER 10-18mm	+0.18
	-0.00
OVER 18-25mm	+0.21
	-0.00
OVER 25mm	+0.25
	-0.00

GENERAL TOLERANCES
 Delete where not applicable.
 ± 0.50mm (0.020")
 ± 0.25mm (0.010")
 ± 0.12mm (0.005")
 All angles ± 0.50°
 Hole centres ± 0.04"

Unless otherwise stated.

MATL

FINISH

SCALE

THIRD ANGLE PROJECTION
 THIS DRAWING TO COMPLY TO BS308.

DRN

TRCD

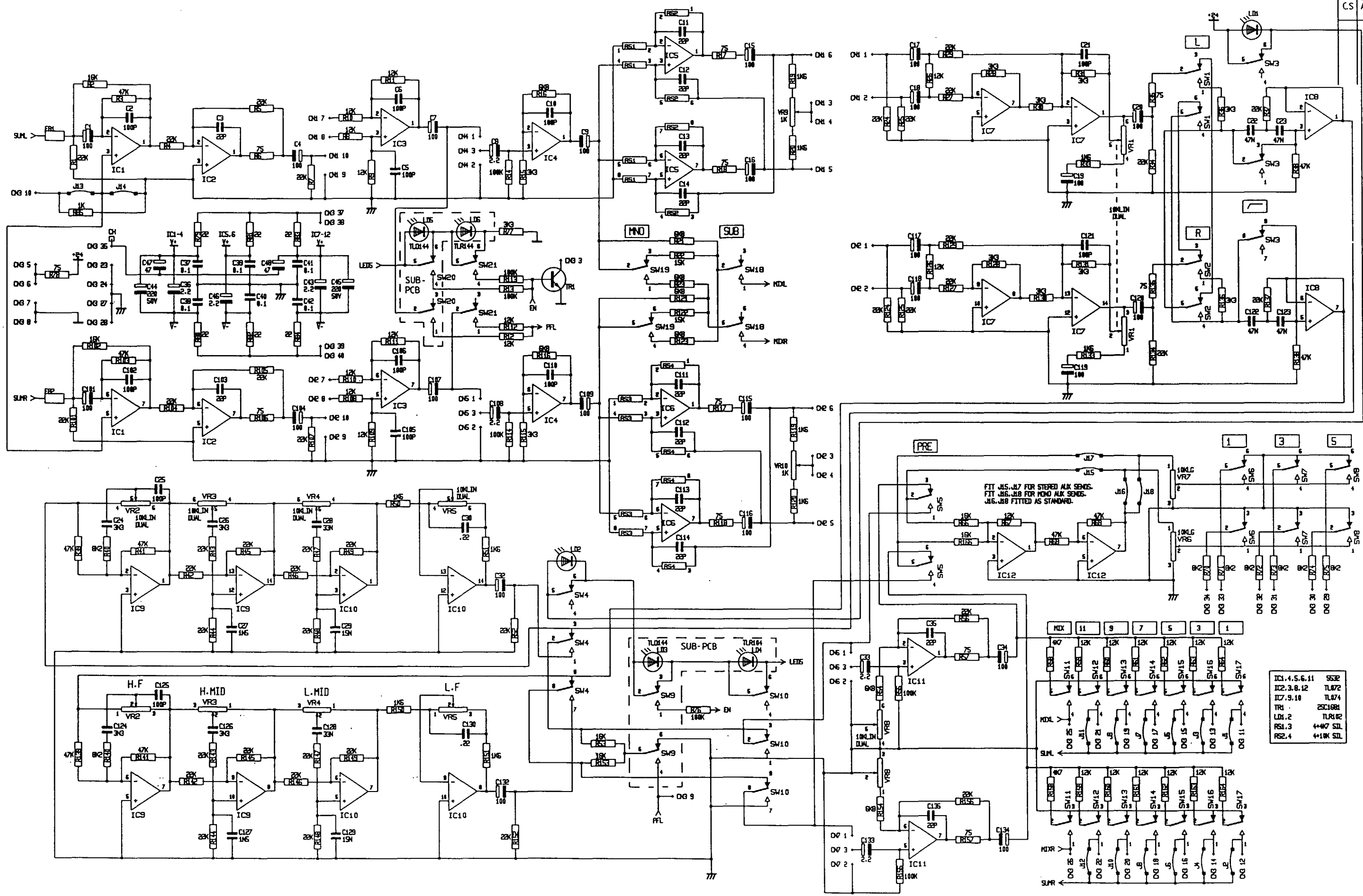
CHKD

SOUNDCRAFT ELECTRONICS LTD
 UNIT 2,
 BOREHAMWOOD INDUSTRIAL PARK,
 ROWLEY LANE,
 BOREHAMWOOD,
 HERTFORDSHIRE WD6 5PZ.
 TELEPHONE: 01-207-5050
 FACSIMILE No. 2070194

TITLE.

TS12 AUX/ECHO

DRG No. ED2544



Soundcraft Electronics Limited own the copyright of this drawing which is not to be copied, reproduced or disclosed, in part or whole, to a third party without written permission.

NOTES

HOLE INDEX

<input type="checkbox"/>	<input type="checkbox"/>
<input type="checkbox"/>	<input type="checkbox"/>
<input type="checkbox"/>	<input type="checkbox"/>
<input type="checkbox"/>	<input type="checkbox"/>

TOLERANCES

HOLE SIZES AFTER PAINTING

0-3mm	+0.10
	-0.00
OVER 3-6mm	+0.12
	-0.00
OVER 6-10mm	+0.15
	-0.00
OVER 10-18mm	+0.18
	-0.00
OVER 18-25mm	+0.21
	-0.00
OVER 25mm	+0.25
	-0.00

Unless otherwise stated.

GENERAL TOLERANCES
Delete where not applicable.

± 0.50mm (0.020")
± 0.25mm (0.010")
± 0.12mm (0.005")

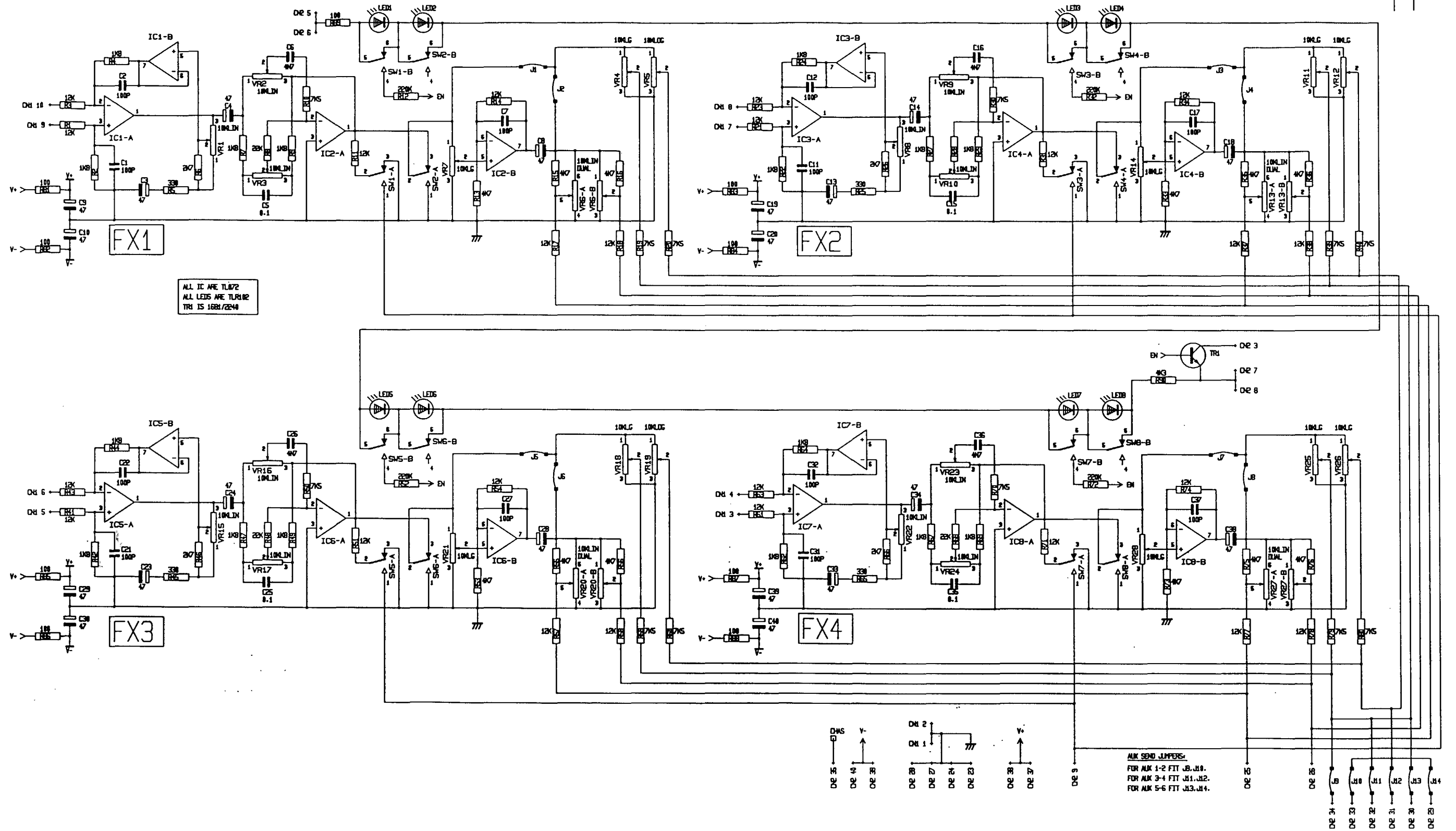
All angles ± 0.50°
Hole centres ± 0.004"

MATL	DRN
FINISH	TRCD
SCALE	CHKD

THIRD ANGLE PROJECTION
THIS DRAWING TO COMPLY TO BS308.

SOUNDCRAFT ELECTRONICS LTD
UNIT 2,
BOREHAMWOOD INDUSTRIAL PARK,
ROWLEY LANE,
BOREHAMWOOD,
HERTFORDSHIRE WD6 5PZ.
TELEPHONE: 01-207-5050
FACSIMILE No. 2070194

TITLE: TS12 GRP/FX
DRG No. ED 2543



Soundcraft Electronics Limited own the copyright of this drawing which is not to be copied, reproduced or disclosed, in part or whole, to a third party without written permission.

NOTES

HOLE INDEX

TOLERANCES

HOLE SIZES AFTER PAINTING	
0-3mm	+0.10
	-0.00
OVER 3-6mm	+0.12
	-0.00
OVER 6-10mm	+0.15
	-0.00
OVER 10-18mm	+0.18
	-0.00
OVER 18-25mm	+0.21
	-0.00
OVER 25mm	+0.25
	-0.00

GENERAL TOLERANCES
Delete where not applicable.

± 0.50 mm (0.020")
± 0.25 mm (0.010")
± 0.12 mm (0.005")
All angles ± 0.50°
Hole centres ± 0.004"

Unless otherwise stated.

MATL

FINISH

SCALE

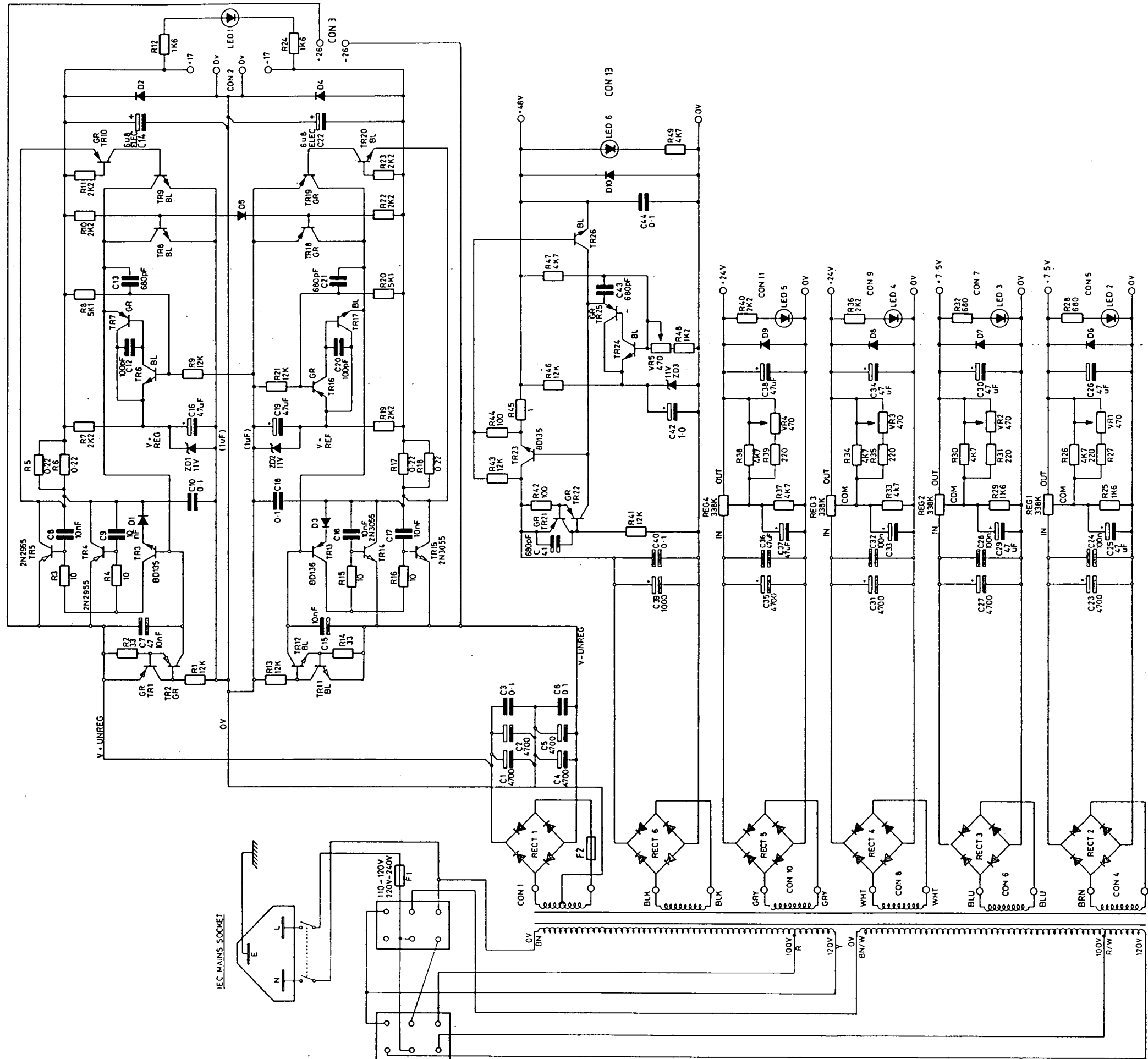
THIRD ANGLE PROJECTION
THIS DRAWING TO COMPLY TO BS308.

DRN
TRCD
CHKD

SOUNDCRAFT ELECTRONICS LTD
UNIT 2,
BOREHAMWOOD INDUSTRIAL PARK,
ROWLEY LANE,
BOREHAMWOOD,
HERTFORDSHIRE WD6 5PZ.
TELEPHONE: 01-207-5050
FACSIMILE No. 2070194

TITLE
TS12
FX RETURN (UPPER & LOWER)

DRG No. ED2558/9



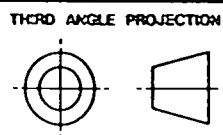
Rev	Issue	Date
1	Issue 1	27.6.84
2	Issue 2	C42 was 47uf 28.8.84
3	Issue 3	C14 & C22 are now polarised 8.10.86
4	ISSUE 4	FUSE 2 ADDED 23.7.87
5	ISSUE 5	TR15 WAS 2N3065 29.1.88

Soundcraft Electronics Limited
is the copyright of this drawing
which is not to be copied, reproduced
or disclosed, in part or whole, to a
third party without written permission.

NOTES.
All resistors in ohms
All capacitors in microfarads, unless otherwise stated

HOLE INDEX.

TOLERANCE.
All imperial dimensions ± 0.010
All metric dimensions $\pm 0.25mm$
All angles $\pm 0.50^\circ$
Unless otherwise stated.



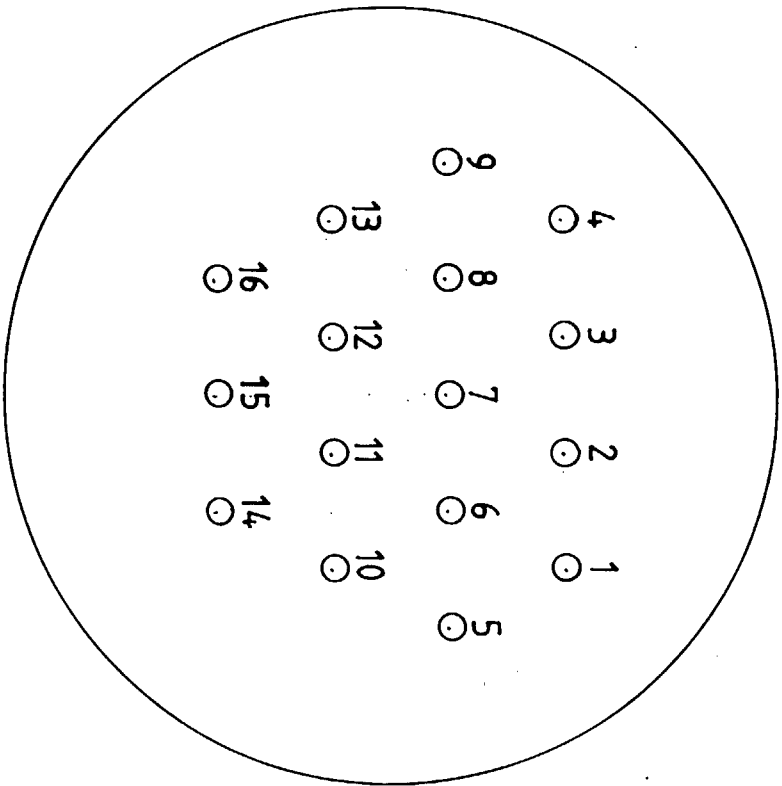
MATL.	DRG. Denise
FINISH.	TRCD. LONDON, EC4V, O.B.X.
SCALE.	CHKD. TELEGRAMS, SOUNDRAFT LDN, EC1

SOUNDRAFT ELECTROACCS LTD.
5-8 GREAT SUTTON STREET
LONDON, EC4V, O.B.X.
TELEPHONE, 01-251-3631/2/3
TELEGRAMS, SOUNDRAFT LDN, EC1

TITLE. LARGE CONSOLE PSU.
SC 1448
ISSUE 2

ISSUE 1
14.07.86

WIRING DETAILS FOR THE 16-WAY SRC POWER SUPPLY UNIT SOCKET.
REAR VIEW (INSIDE CONSOLE)



PIN NO.	WIRE COLOUR	DESCRIPTION
1	BROWN	+17 V AUDIO
2	RED	+7.5V SUPPLY ② 7.5 V
3	BLUE	-17 V AUDIO
4	GREEN	AUDIO GROUND
5	BLACK	+7.5V SUPPLY ① 0V [-7.5V IN MOST CONSOLES]
6	GREEN/YELLOW	7.5V SUPPLY ② 0V
7	WHITE	24V SUPPLY ② 0V [-22V TS 24]
8	VIOLET	24V SUPPLY ① +24V
9	GREEN/YELLOW	7.5V SUPPLY ① +7.5V [0V IN MOST CONSOLES]
10	ORANGE	+4.8V
11	GREY	24V SUPPLY ② +24V [0V TS 24]
12	GREEN	24V SUPPLY ① 0V
13	GREEN	4.8V GROUND
14	GREEN/YELLOW	MAINS CHASSIS GROUND
15	---	---
16	---	---

TABLE OF CONNECTIONS IN LARGE CONSOLE POWER SUPPLY UNIT PCB ASSY.

SRC PIN NO	PSU PCB ASSY CON NO	WIRE COLOUR
1	CONNECTOR 2	BROWN
2	CONNECTOR 7	RED
3	CONNECTOR 2	BLUE
4	CONNECTOR 2	GREEN
5	CONNECTOR 5	BLACK
6	CONNECTOR 7	GREEN/YELLOW
7	CONNECTOR 11	WHITE
8	CONNECTOR 9	VIOLET
9	CONNECTOR 5	GREEN/YELLOW
10	CONNECTOR 13	ORANGE
11	CONNECTOR 11	GREY
12	CONNECTOR 9	GREEN
13	CONNECTOR 13	GREEN
14	---	---
15	---	---
16	---	---

TITLE
16 WAY SRC PSU
SKT WIRING DETAILS

DRG.No. MI2568

SOUNDCRAFT ELECTRONICS LTD
UNIT 2,
BOREHAMWOOD INDUSTRIAL PARK,
ROWLEY LANE,
BOREHAMWOOD,
HERTFORDSHIRE WD6 5PZ.
TELEPHONE: 01-207-5050
FACSIMILE No.2070194

DRN
S.JEY

TRCD

CHKD

THIRD ANGLE PROJECTION
THIS DRAWING TO COMPLY
TO BS308.

MATL

FINISH

SCALE

HOLE INDEX

GENERAL TOLERANCE

Delete where not applicable.

± 0.00mm (0.000")

± 0.25mm (0.010")

± 0.12mm (0.005")

HOLE CENTRES ± 0.04"

ALL ANGLES ± 0.50°

Unless otherwise stated.

TOLERANCES

HOLE SIZES AFTER PAINTING

0-3mm = + 0.10
- 0.00

OVER 3-6mm = + 0.12
- 0.00

OVER 6-10mm = + 0.15
- 0.00

OVER 10-18mm = + 0.18
- 0.00

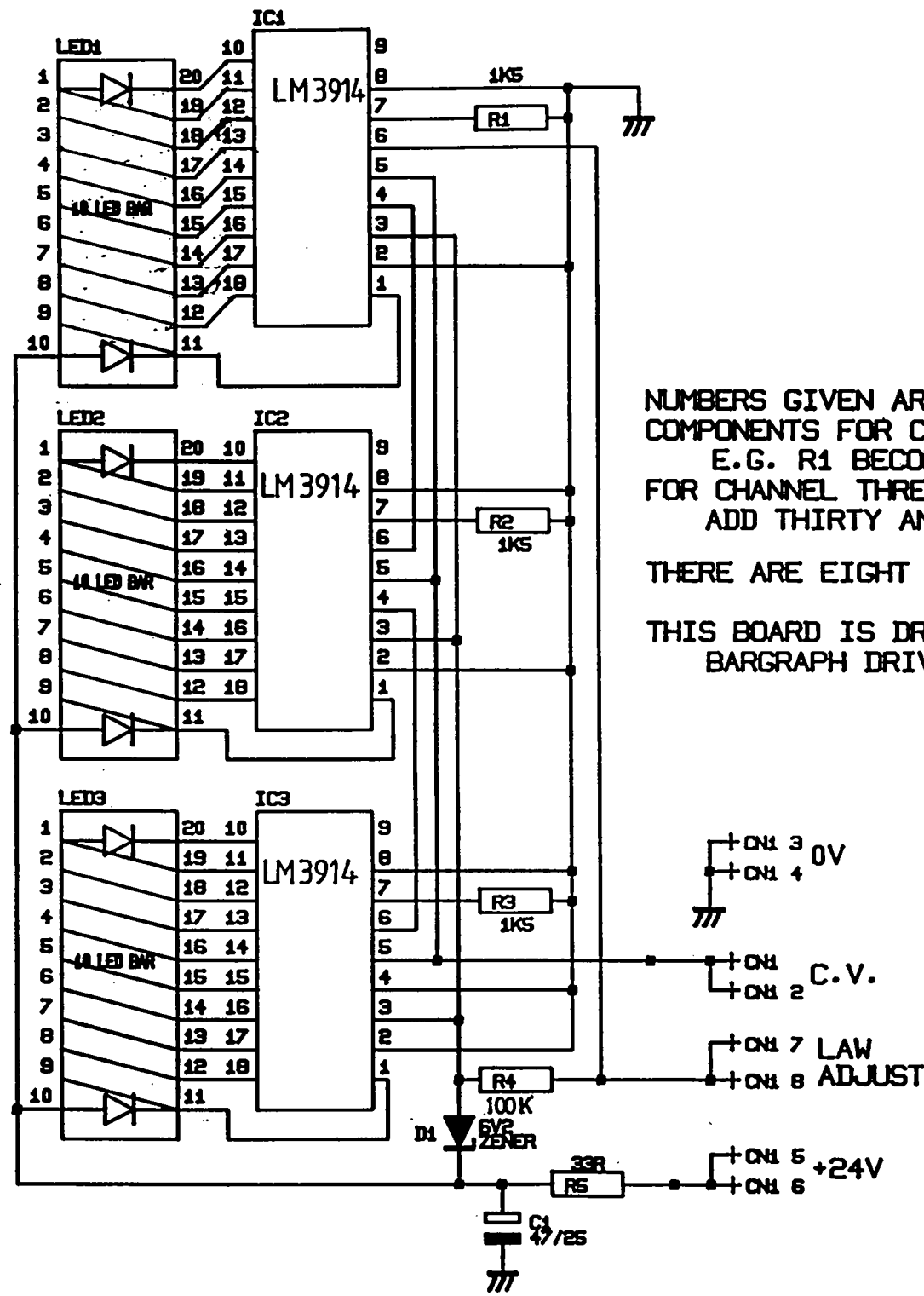
OVER 18-25mm = + 0.21
- 0.00

OVER 25mm = + 0.25
- 0.00

ISSUE P1
18-5-87

ISSUE P2
R4 WAS 1M
17/8/87

ISSUE 1
CIRCUIT CHANGED
8/10/87



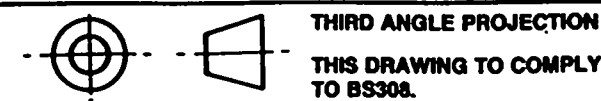
NUMBERS GIVEN ARE FOR CHANNEL ONE (LEFT HAND END)
COMPONENTS FOR CHANNEL TWO HAVE TEN ADDED.
E.G. R1 BECOMES R11, IC3 BECOMES IC13 ETC.
FOR CHANNEL THREE ADD TWENTY, FOR CHANNEL FOUR
ADD THIRTY AND SO ON.

THERE ARE EIGHT IDENTICAL CIRCUITS ON THIS CARD

THIS BOARD IS DRIVEN BY SC2666, 8000/TS12
BARGRAPH DRIVER

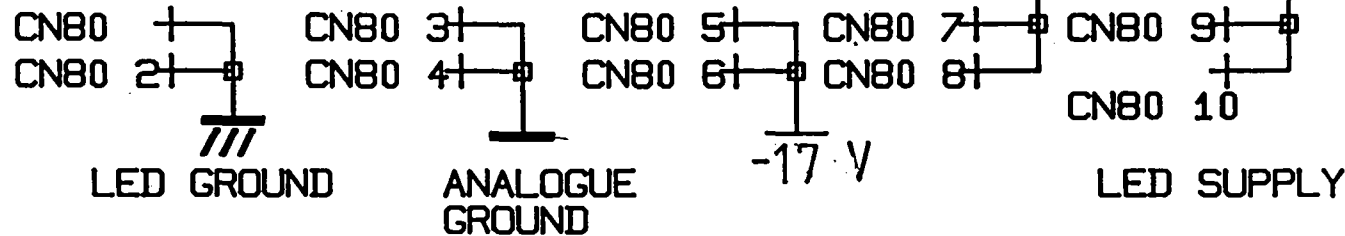
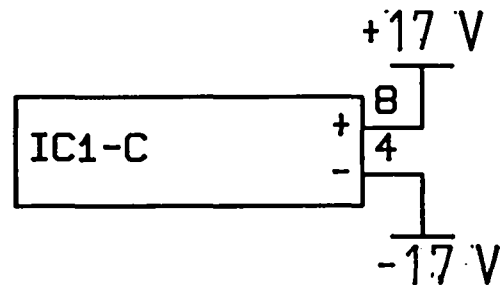
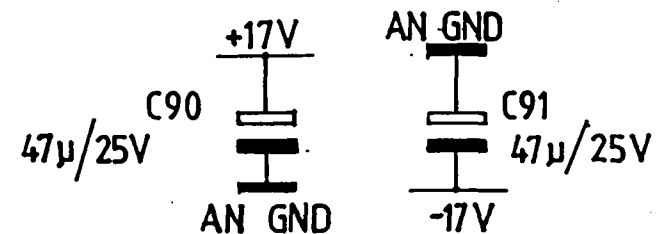
8000/TS12
BARGRAPH PCB

<p>TOLERANCES HOLE SIZES AFTER PAINTING</p> <p>0-3mm - +0.10 -0.00</p> <p>OVER 3-6mm - +0.12 -0.00</p> <p>OVER 6-10mm - +0.15 -0.00</p> <p>OVER 10-18mm - +0.18 -0.00</p> <p>OVER 18-25mm - +0.21 -0.00</p> <p>OVER 25mm - +0.25 -0.00</p>	<p>GENERAL TOLERANCE</p> <p>Delete where not applicable.</p> <p>± 0.50 mm (0.020")</p> <p>± 0.25 mm (0.010")</p> <p>± 0.12 mm (0.005")</p> <p>HOLE CENTRES ± 0.004"</p> <p>ALL ANGLES ± 0.50°</p> <p>Unless otherwise stated.</p>	<p>HOLE INDEX</p> <p><input type="checkbox"/></p> <p><input type="checkbox"/></p> <p><input type="checkbox"/></p> <p><input type="checkbox"/></p>	<p><input type="checkbox"/></p> <p><input type="checkbox"/></p> <p><input type="checkbox"/></p> <p><input type="checkbox"/></p>	<p>MATL</p> <p>FINISH</p> <p>SCALE</p>	<p>DRN DP</p> <p>TRCD</p> <p>CHKD</p>	<p>SOUNDCRAFT ELECTRONICS LTD UNIT 2, BOREHAMWOOD INDUSTRIAL PARK, ROWLEY LANE, BOREHAMWOOD, HERTFORDSHIRE WD6 5PZ. TELEPHONE: 01-207-5050 FACSIMILE No. 2070194</p>	<p>TITLE</p> <p>8000/TS12 BARGRAPH P.C.B.</p> <p>DRG. No. ED 2665</p>
---	--	--	---	---	--	--	--

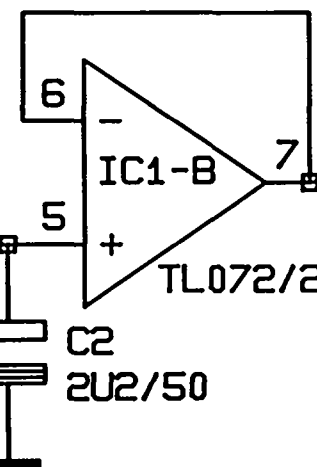
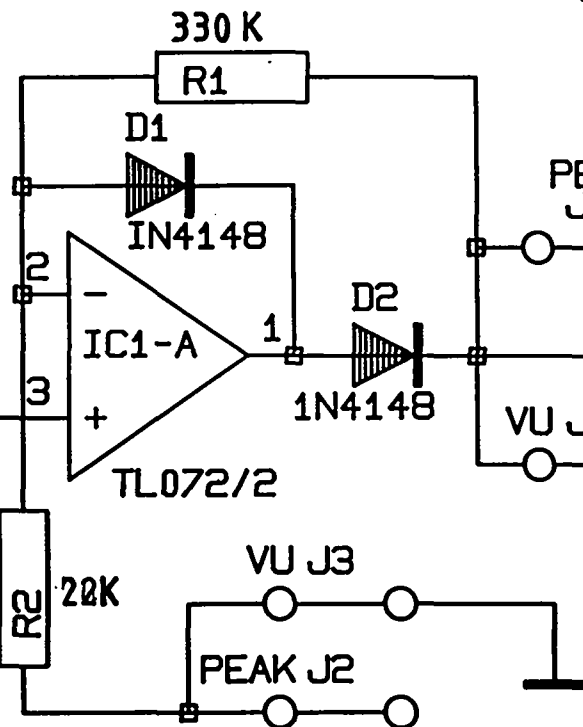
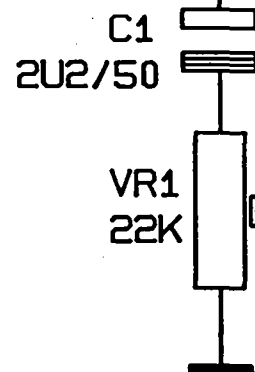
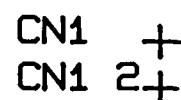


CN81 HAS AN IDENTICAL PIN-OUT TO CN80

C90/91 ONE EACH PER PCB



AUDIO INPUT



NUMBERS GIVEN ARE FOR CHANNEL ONE.
COMPONENTS FOR CHANNEL TWO HAVE TEN ADDED.
E.G. R1 BECOMES R11, IC3 BECOMES IC13 AND SO ON.
FOR CHANNEL THREE ADD TWENTY, FOR CHANNEL FOUR ADD THIRTY ETC.
THERE ARE EIGHT IDENTICAL CIRCUITS ON THIS CARD

ISSUE P1
26-5-87
ISSUE P2
R1 WAS 100K
R2 WAS 15K
R7 ADDED
17/8/87
ISSUE 1
CIRCUIT CHANGE
8/10/87
C90/91 ADDED

TOLERANCES	
HOLE SIZES AFTER PAINTING	
0-3mm	+ 0.10 - 0.00
OVER 3-6mm	+ 0.12 - 0.00
OVER 6-10mm	+ 0.15 - 0.00
OVER 10-18mm	+ 0.18 - 0.00
OVER 18-25mm	+ 0.21 - 0.00
OVER 25mm	+ 0.25 - 0.00

GENERAL TOLERANCE
Delete where not applicable.
± 0.50 mm (0.020")
± 0.25 mm (0.010")
± 0.12 mm (0.005")
HOLE CENTRES ± 0.004"
ALL ANGLES ± 0.50°
Unless otherwise stated.

HOLE INDEX

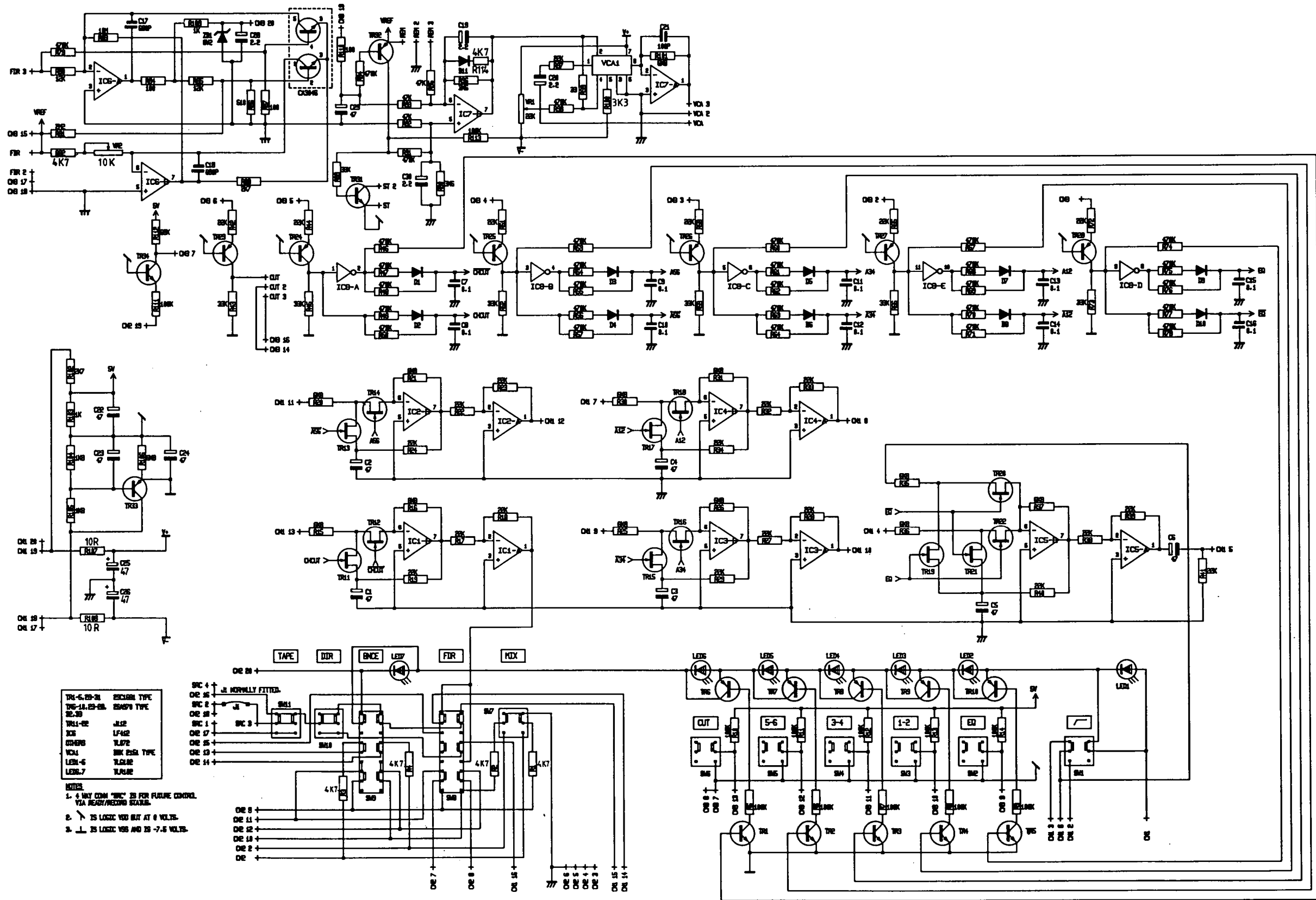


MATL	DRN
FINISH	TRCD
SCALE	CHKD
 THIRD ANGLE PROJECTION THIS DRAWING TO COMPLY TO BS308.	

SOUNDCRAFT ELECTRONICS LTD
UNIT 2,
BOREHAMWOOD INDUSTRIAL PARK,
ROWLEY LANE,
BOREHAMWOOD,
HERTFORDSHIRE WD6 5PZ.
TELEPHONE: 01-207-5050
FACSIMILE No. 2070194

TITLE
8000/TS 12
BARGRAPH DRIVER PCB.
DRG. No. ED 2666

Initl	Issue P3 31/7/87
MJH	ISSUE 1 16/9/87 R82 WAS 10K VR2 WAS 4K7 R114 ADDED R108 WAS 33 C27 DELETED C25 WAS 0.1 C26 WAS 0.1 R100 WAS 4K7
MJH	ISSUE 2 R1,2,3,4 WERE 12K ARE NOW 4K7 20-11-87



TR1-4, TR5-6	ESCHER TYPE
TR7-10, TR11	ESCHER TYPE
TR12-14	JUL2
TR15	LF42
TR16	TL072
VCA1	80K PDSR TYPE
LE1-6	TL082
LE1-7	TL082

- NOTES:
1. 4 WAY COM "TRC" IS FOR FUTURE CONTROL VIA REAR/RECORD SCALE.
 2. ∇ IS LOGIC YES BUT AT 0 VOLTS.
 3. \perp IS LOGIC YES AND IS -7.5 VOLTS.

Soundcraft Electronics Limited own the copyright of this drawing which is not to be copied, reproduced or disclosed, in part or whole to a third party without written permission.

NOTES

HOLE INDEX



TOLERANCES

HOLE SIZES AFTER PAINTING

0-3mm	+0.10
	-0.00
OVER 3-6mm	+0.12
	-0.00
OVER 6-10mm	+0.15
	-0.00
OVER 10-18mm	+0.18
	-0.00
OVER 18-25mm	+0.21
	-0.00
OVER 25mm	+0.25
	-0.00

Unless otherwise stated.

GENERAL TOLERANCES

Delete where not applicable.

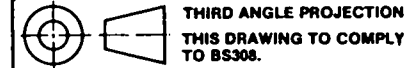
- +0.50 mm (0.020")
- +0.25 mm (0.010")
- +0.12 mm (0.005")
- All angles : 0.50°
- Hole Centres : 0.004"

MATL

FINISH	
SCALE	

DRN

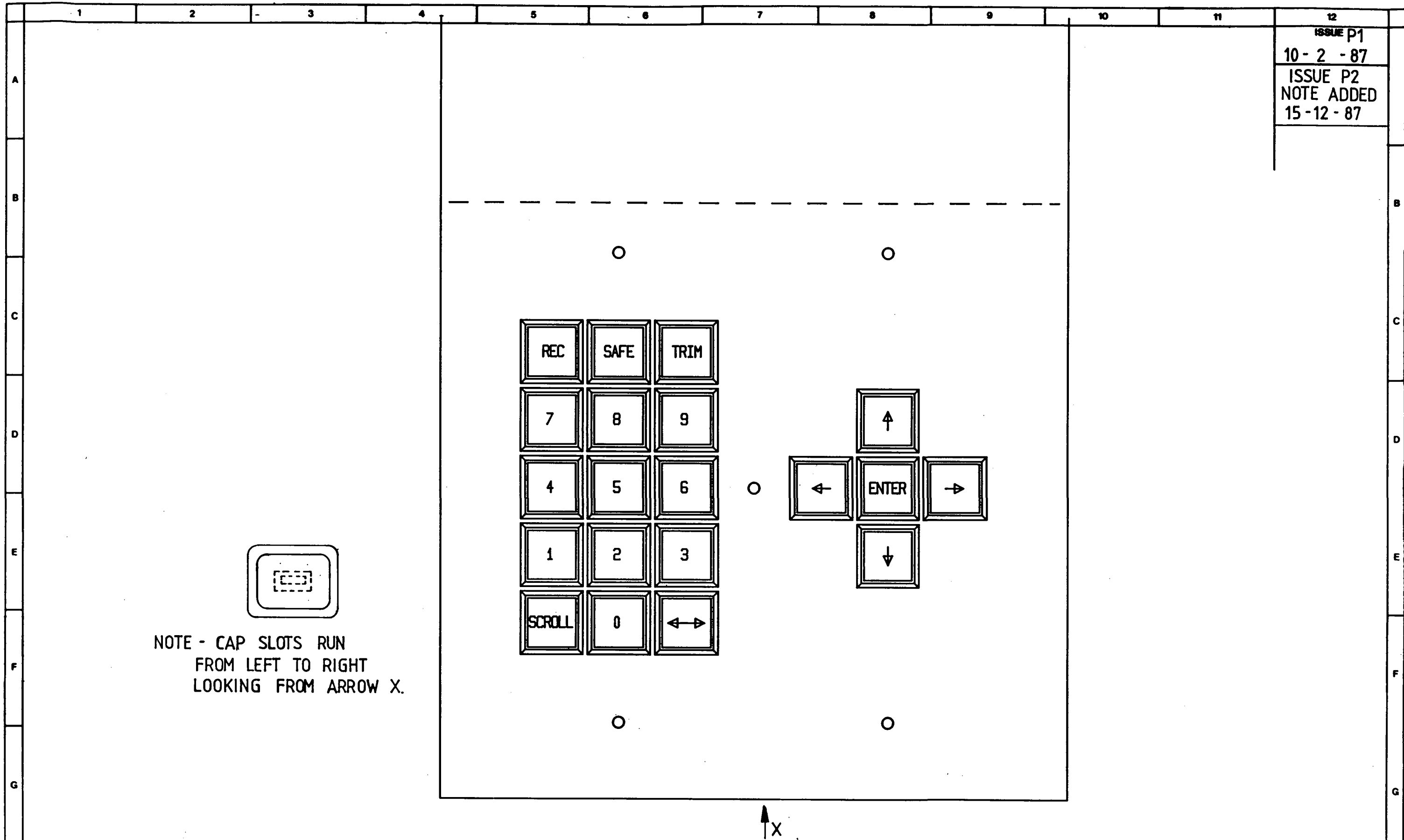
TRCO
CHKD.



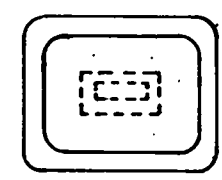
SOUNDCRAFT ELECTRONICS LTD
UNIT 2,
BOREHAMWOOD INDUSTRIAL PARK,
ROWLEY LANE,
BOREHAMWOOD,
HERTFORDSHIRE WD6 5PZ.
TELEPHONE: 01-207-5050
FACSIMILE No. 2070194

TITLE

TS12 AUTO
L/H 1/0
DRG. No. ED2561



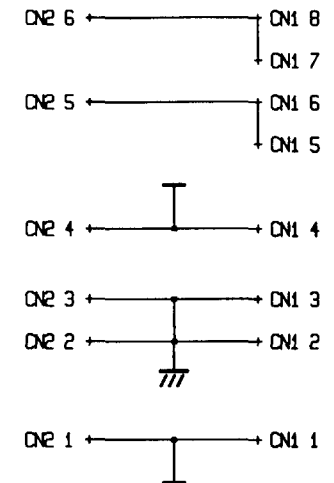
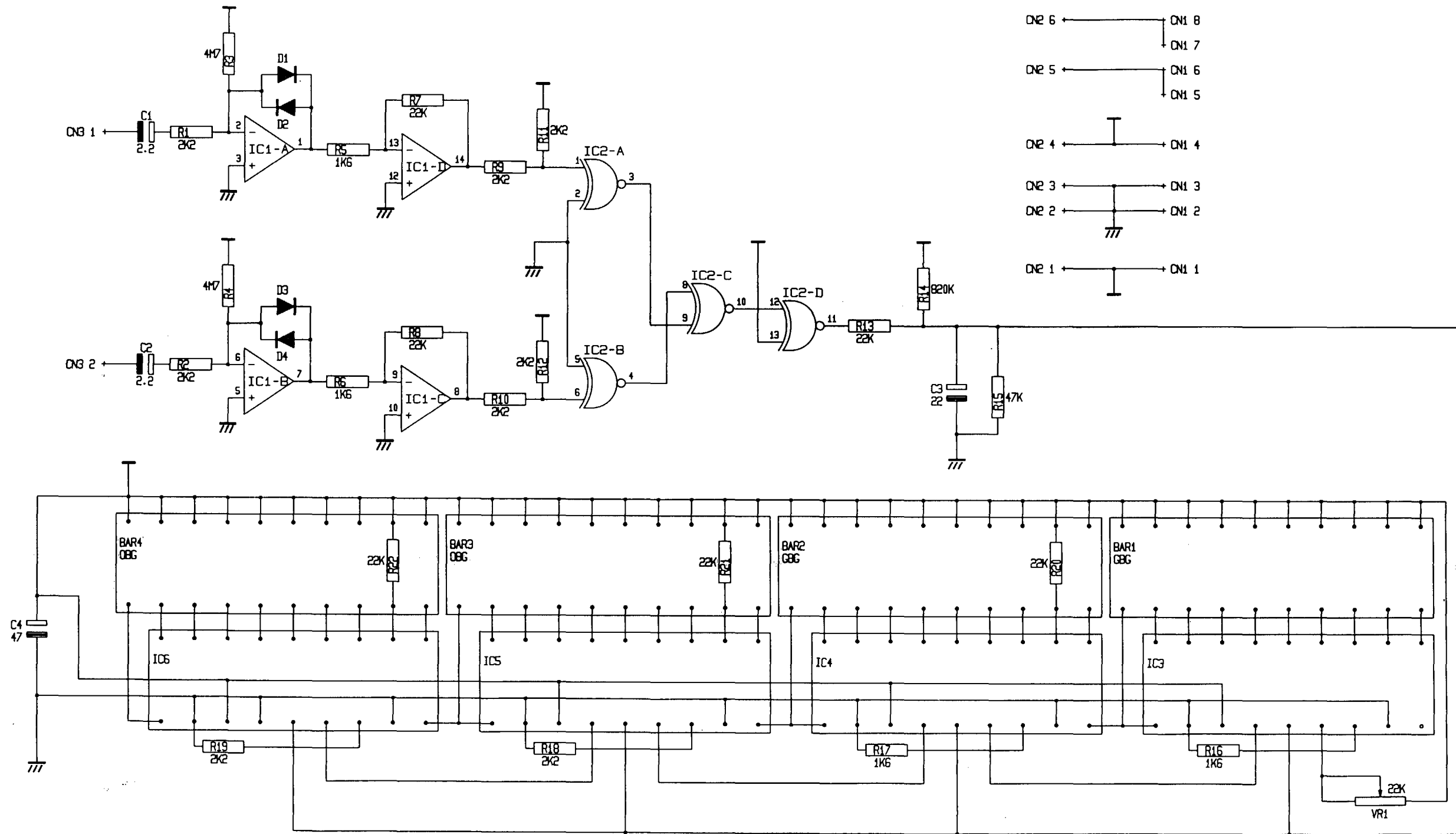
ISSUE P1
10-2-87
ISSUE P2
NOTE ADDED
15-12-87



NOTE - CAP SLOTS RUN FROM LEFT TO RIGHT LOOKING FROM ARROW X.



<p>TOLERANCES HOLE SIZES AFTER PAINTING</p> <p>0-3mm - +0.10 / -0.00</p> <p>OVER 3-6mm - +0.12 / -0.00</p> <p>OVER 6-10mm - +0.15 / -0.00</p> <p>OVER 10-18mm - +0.18 / -0.00</p> <p>OVER 18-25mm - +0.21 / -0.00</p> <p>OVER 25mm - +0.25 / -0.00</p>	<p>GENERAL TOLERANCE</p> <p>Delete where not applicable.</p> <p>± 0.50mm (0.020")</p> <p>± 0.25mm (0.010")</p> <p>± 0.12mm (0.005")</p> <p>HOLE CENTRES ± 0.004"</p> <p>ALL ANGLES ± 0.50°</p> <p>Unless otherwise stated.</p>	<p>HOLE INDEX</p> <p><input type="checkbox"/></p> <p><input type="checkbox"/></p> <p><input type="checkbox"/></p> <p><input type="checkbox"/></p> <p><input type="checkbox"/></p>	<p><input type="checkbox"/></p> <p><input type="checkbox"/></p> <p><input type="checkbox"/></p> <p><input type="checkbox"/></p> <p><input type="checkbox"/></p>	<p>MATL</p> <p>FINISH</p> <p>SCALE</p>	<p>DRN</p> <p>TRCD</p> <p>CHKD</p>	<p>SOUNDCRAFT ELECTRONICS LTD UNIT 2, BOREHAMWOOD INDUSTRIAL PARK, ROWLEY LANE, BOREHAMWOOD, HERTFORDSHIRE WD6 5PZ. TELEPHONE: 01-207-5050 FACSIMILE No. 2070194</p>	<p>TITLE</p> <p>TS12 AUTOMATION KEYPAD- LAYOUT</p> <p>DRG.No. MI2582</p>
---	---	--	---	--	------------------------------------	--	---

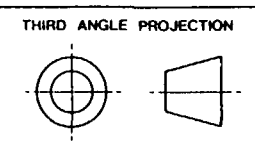


Soundcraft Electronics Limited own the copyright of this drawing which is not to be copied, reproduced or disclosed, in part or whole, to a third party without written permission.

NOTES.

HOLE INDEX.

TOLERANCE.
 All imperial dimensions ± 0.010
 All metric dimensions $\pm 0.25\text{mm}$
 All angles $\pm 0.5^\circ$
 Unless otherwise stated.



MATL.
 FINISH.
 SCALE.

DRG. TRCD.
 CHKD.
 SOUNDRAFT ELECTRONICS LTD.
 5-8 GREAT SUTTON STREET
 LONDON, EC IV, OBX.
 TELEPHONE. 01-251-3631/2/3
 TELEGRAMS. SOUNDRAFT LDN. EC1
 TELEX. UK No. 21198. USA No. 01-2203

TITLE. TS12 / SAC 2000
 PHASE METER
 FOR SC 1487/P1
 DRG No. ED 2296