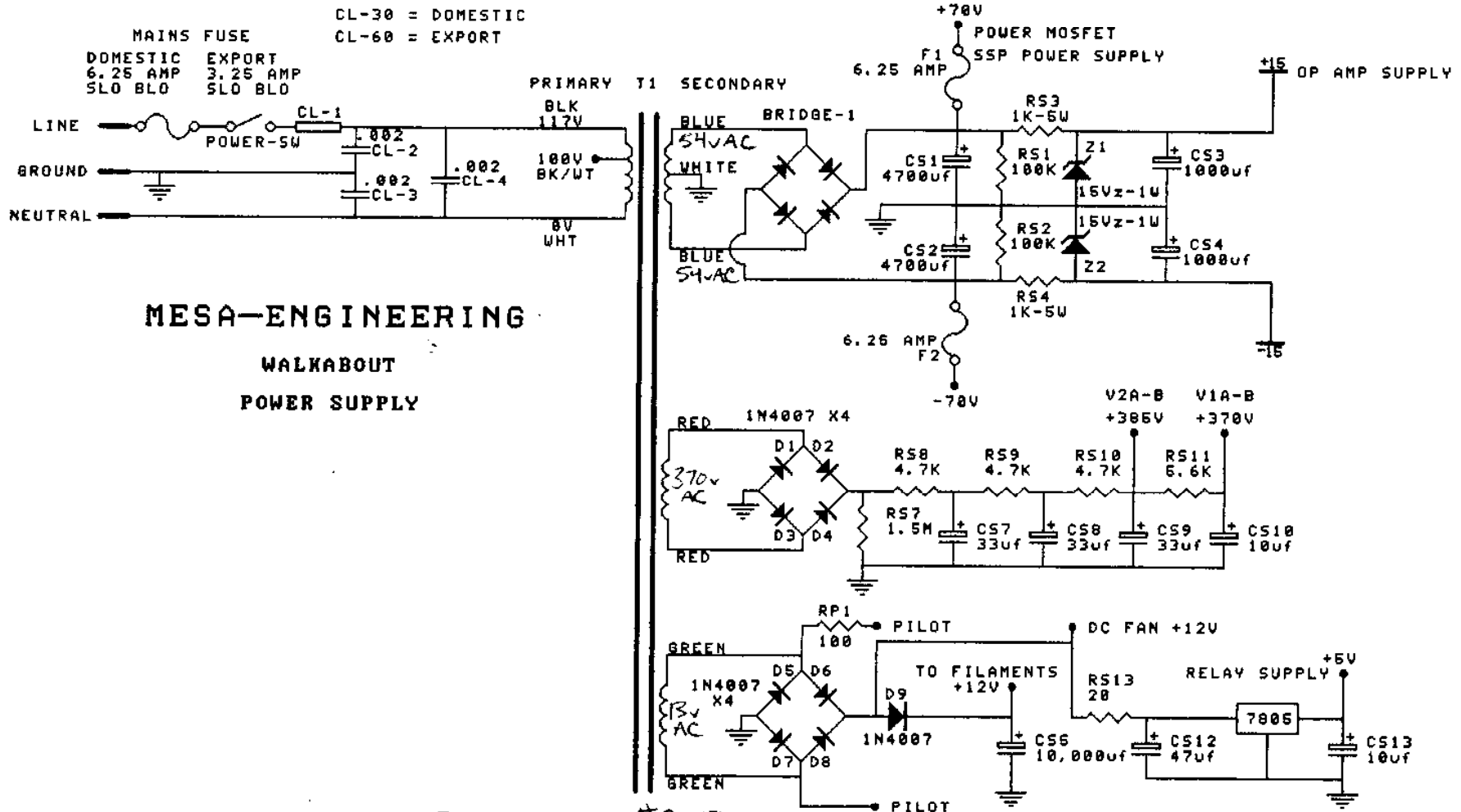


WalkAbout



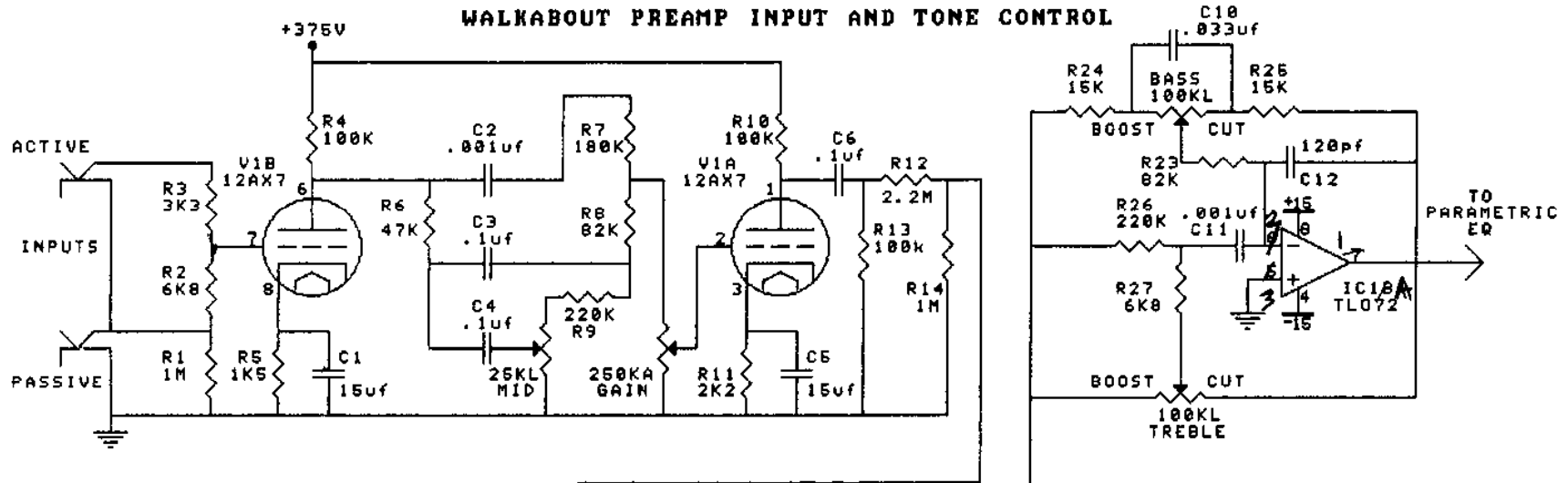
MESA-ENGINEERING
WALKABOUT
POWER SUPPLY

EXPORT XFMR # 8073
 DOM. XFMR # 6978-C

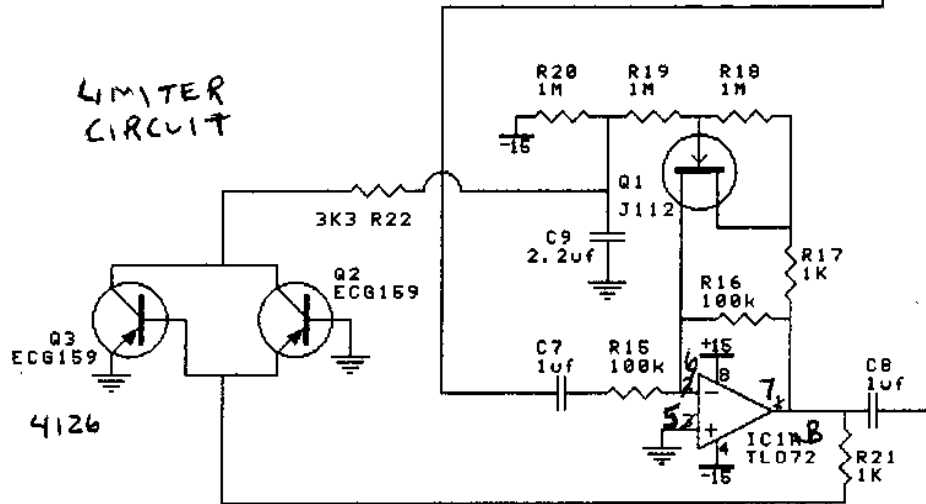
Title		
WALABOUT POWER SUPPLY		
Size	Number	Revision
A4		1
Date: 27-AUG 2001		Sheet of
File: WALKABT5/1		Drawn By: DAN VR

MESA-ENGINEERING

WALKABOUT PREAMP INPUT AND TONE CONTROL



LIMITER
CIRCUIT



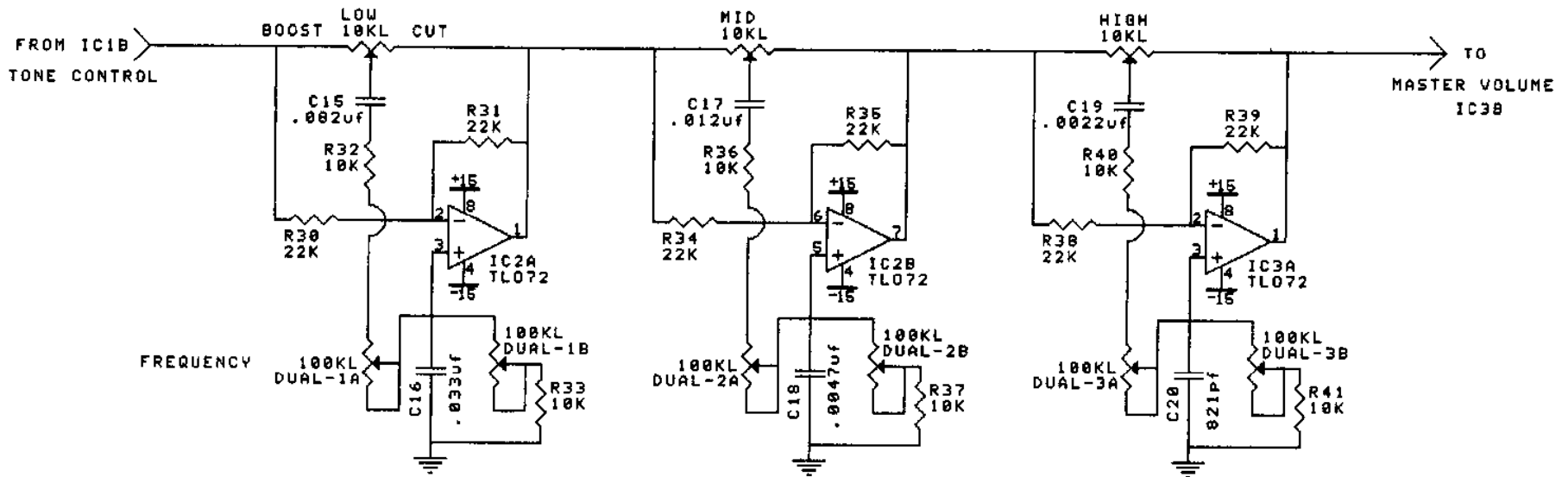
reversed } IC1A
on } IC1B
schema }

Title		
WALKABOUT PREAMP AND TONE CONTROL		
Size	Number	Revision
A4		1
Date: 27-AUG 2001		Sheet of
File: WALKABY1/1		Drawn By: DAN U.R

MESA-ENGINEERING

WALKABOUT

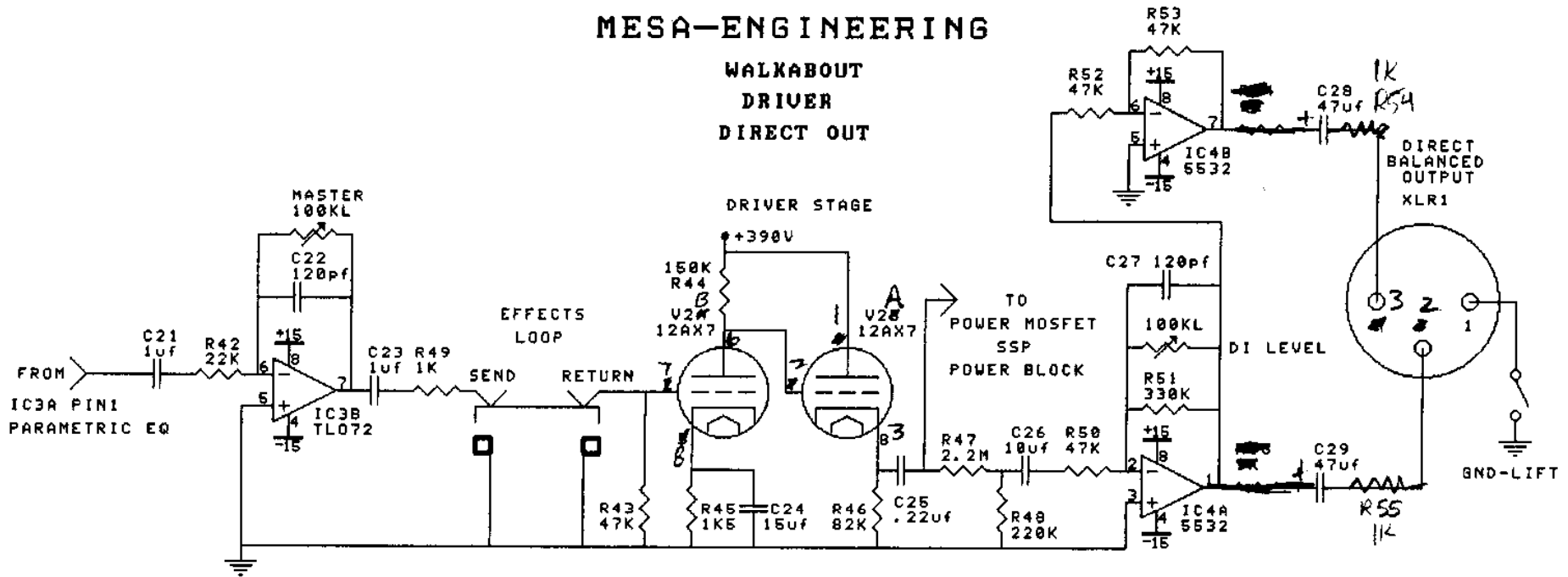
PARAMETRIC EQ



Title		
WALKABOUT PARAMETRIC EQ		
Size	Number	Revision
A4		1
Date:	27-AUG 2001	Sheet of
File:	WALKABT2/1	Drawn By: DAN VR

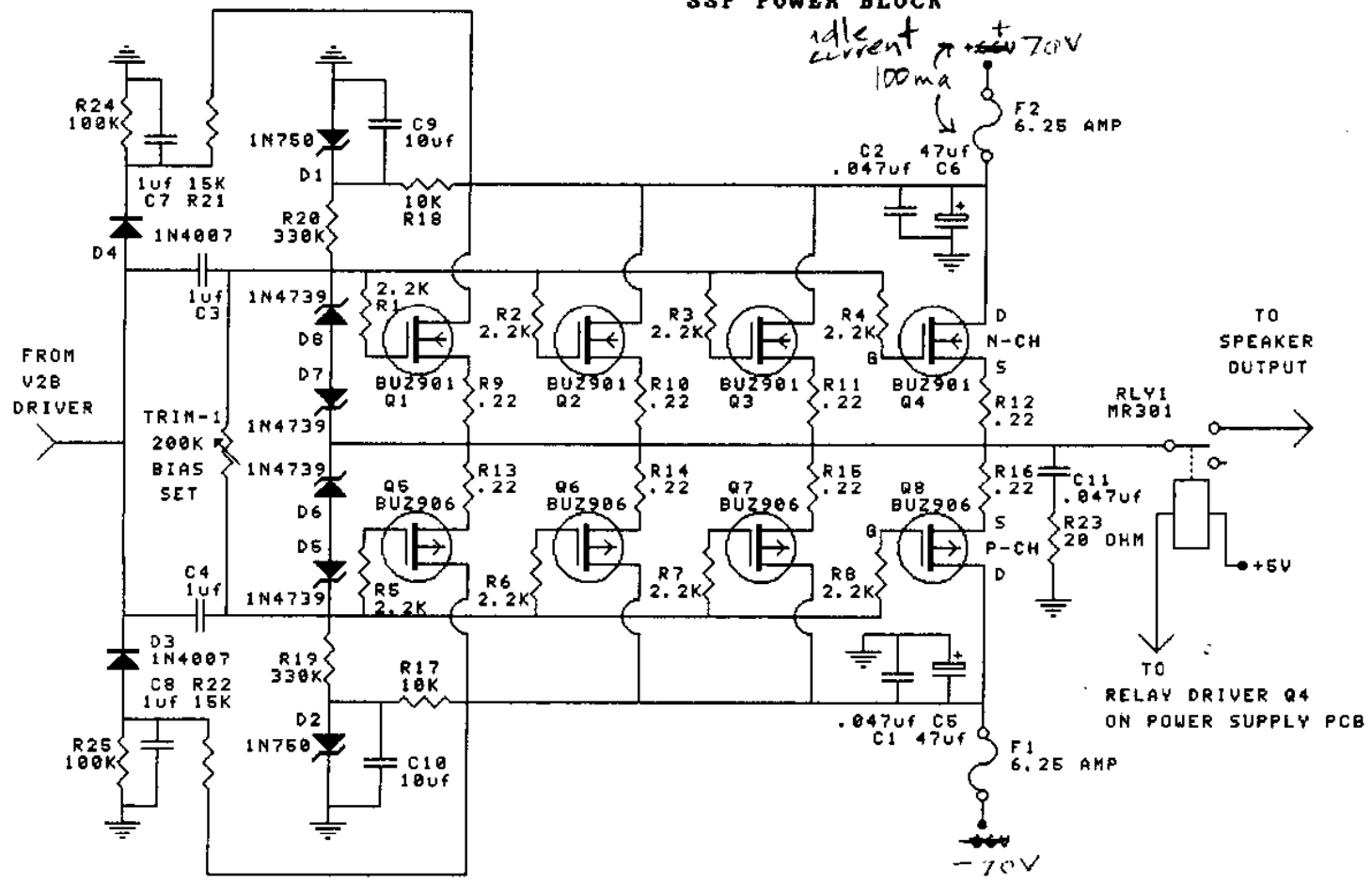
MESA-ENGINEERING

WALKABOUT DRIVER DIRECT OUT



Title		
MASTER, DRIVER, DIRECT OUT		
Size	Number	Revision
A4		1
Date: 27-AUG 2001		Sheet of
File: WALKABT3/1		Drawn By: DAN VR

MESA-ENGINEERING
WALABOUT
POWER MOSFET
SSP POWER BLOCK



Title		
WALKABOUT SSP POWER BLOCK		
Size	Number	Revision
A4		1
Date:	27-AUG 2001	Sheet of
File:	WALKABT471	Drawn By: DAN UR

WALKABOUT INPUT JACK MOD

- USES MORE reliable jacks for normaling contacts so active jack ground is more secure

