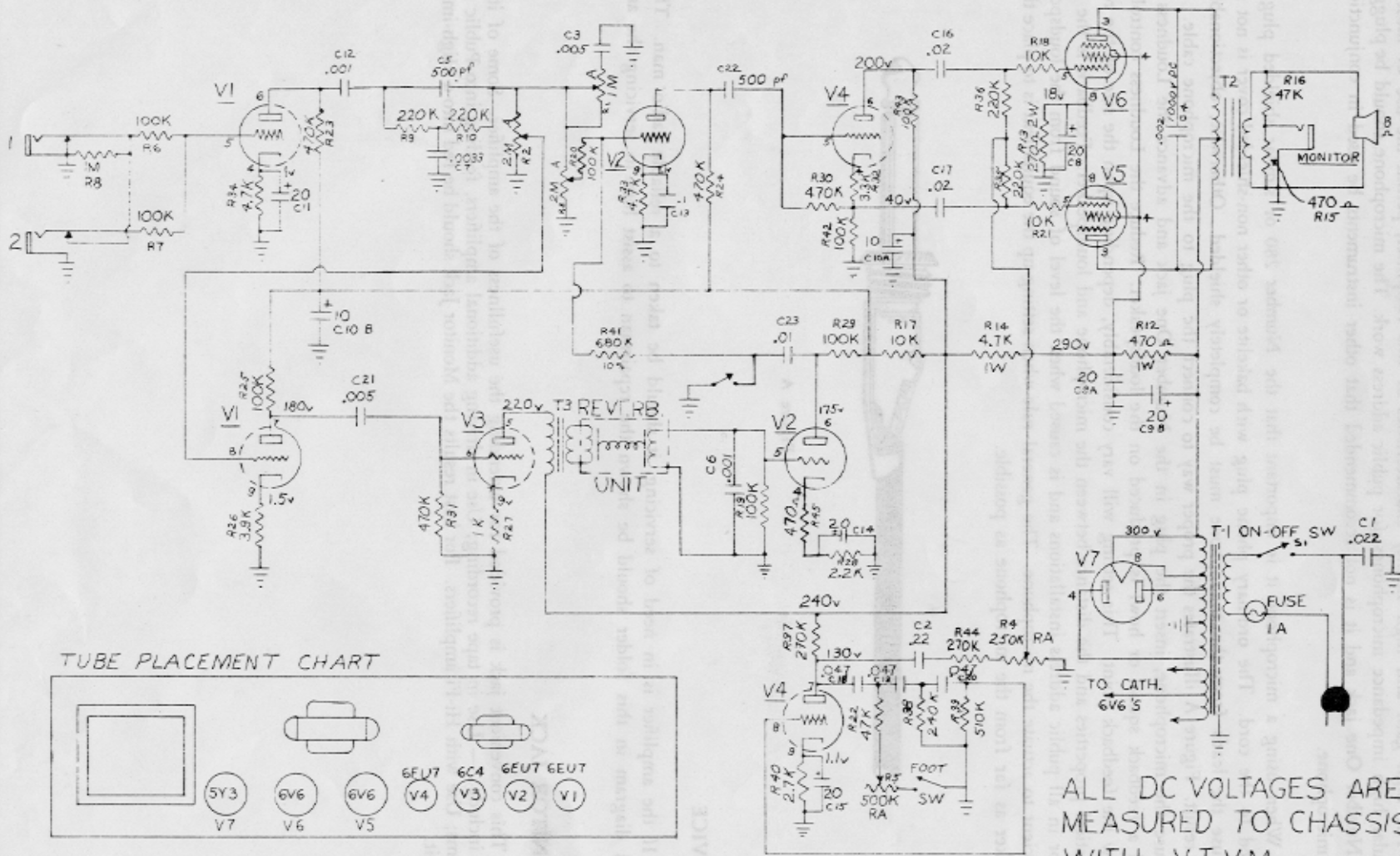


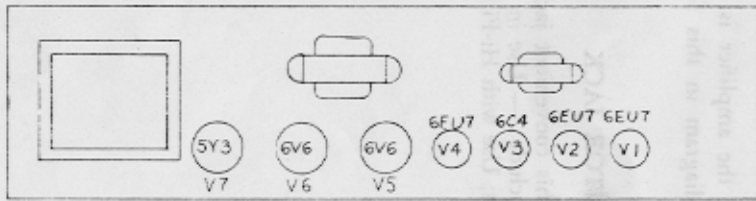
# EA2S-RVT

- R2,R3 Loudness & Reverb. Control, 2 meg audio taper  
 R4 Depth Control, 250K reversed audio  
 R5 Frequency Control, 500K reversed audio  
 R1 Tone Control, 1 meg audio taper
- C-BA-811-3702  
 C-BA-811-3704  
 C-BA-811-3706  
 C-BA-811-3709

- T1 Output Transformer TF-18-01  
 T2 Power Transformer TF-18P  
 T3 Reverberation Transformer TF-S-6A00
- S1 Toggle Switch (on-off) with 2 muts SW-80994
- (1) S-20009 12" Speaker S-20009



## TUBE PLACEMENT CHART



ALL DC VOLTAGES ARE MEASURED TO CHASSIS WITH V.T.V.M.