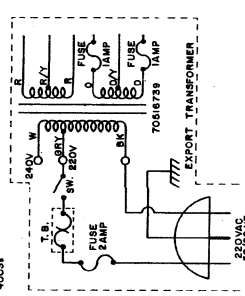
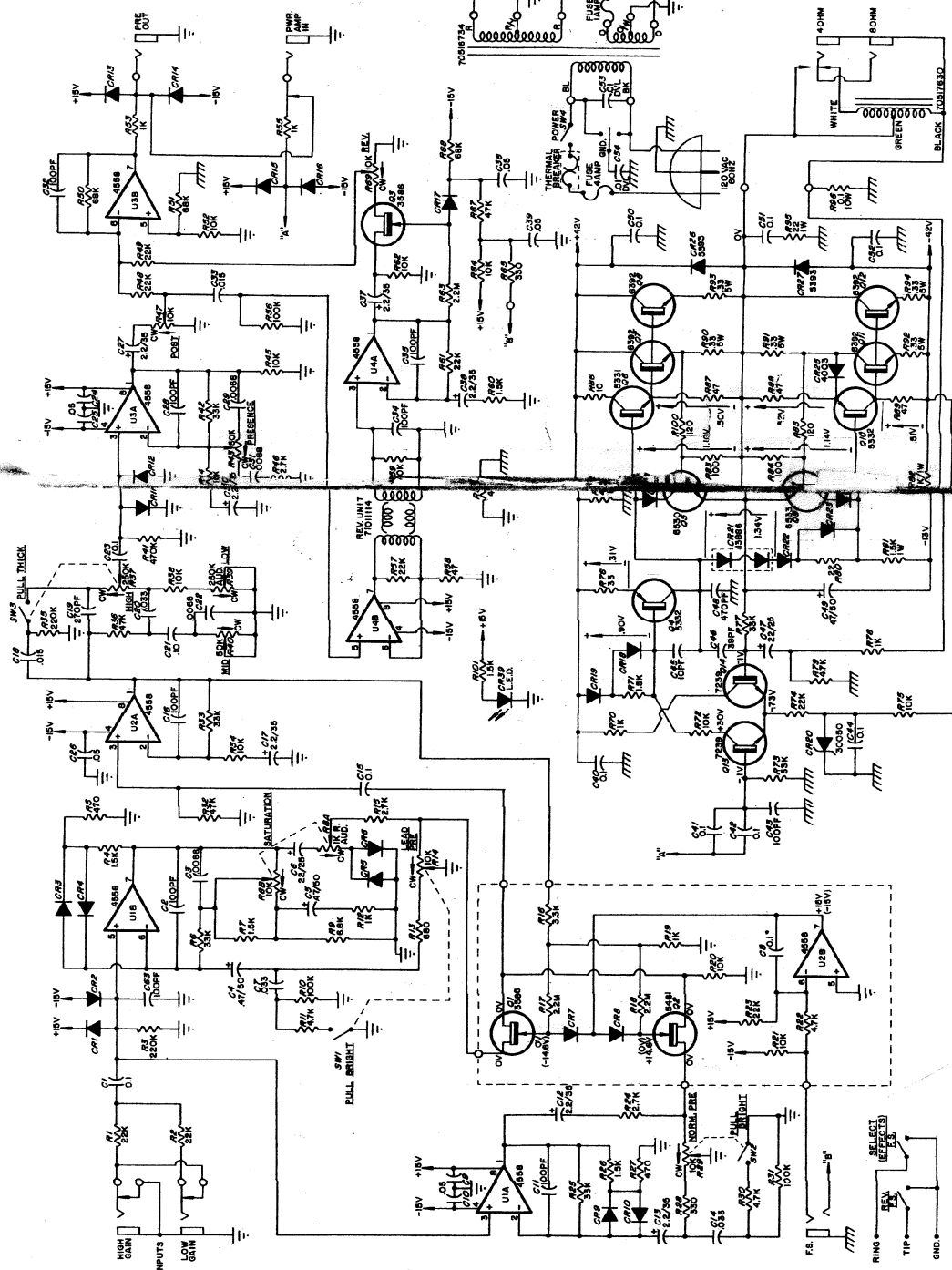


Peavey Special Amp 1981

SPECIAL
 BUL 198005190

NOTES
 ALL POTS ARE LINEAR UNLESS NOTED
 ALL RESISTORS IN Ω UNLESS NOTED
 ALL RESISTORS IN $\text{K}\Omega$ UNLESS NOTED
 ALL CAPACITORS IN pF UNLESS NOTED
 ALL DIODES IN 1N4148 UNLESS NOTED
 LAST REF. DESIGNATOR USED:
 R102 C83 CR39 Q14 U4
 VOLTAGES IN () ARE WITH FOOTSWITCH CLOSED
 VOLTAGES MAY VARY FROM UNIT TO UNIT



PEAVEY ELECTRONICS CORP.
 MERRIDEN, MS.
 DRAWN BY PSC- DATE 11/7/81
 C.E. CHECK BY
 APR. BY

COPYRIGHT 1980 PRINTED IN U.S.A.

Special 130
 1981