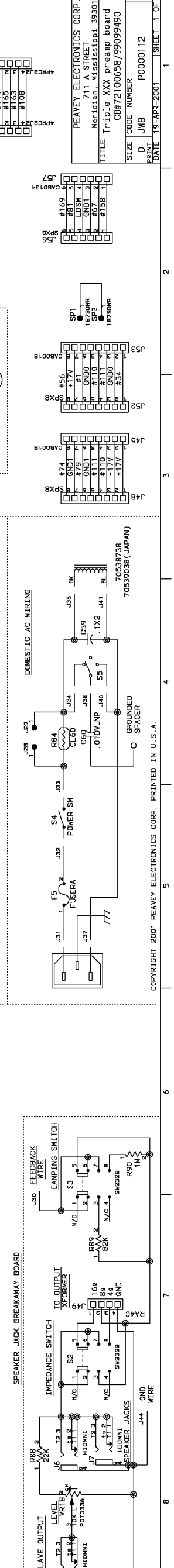
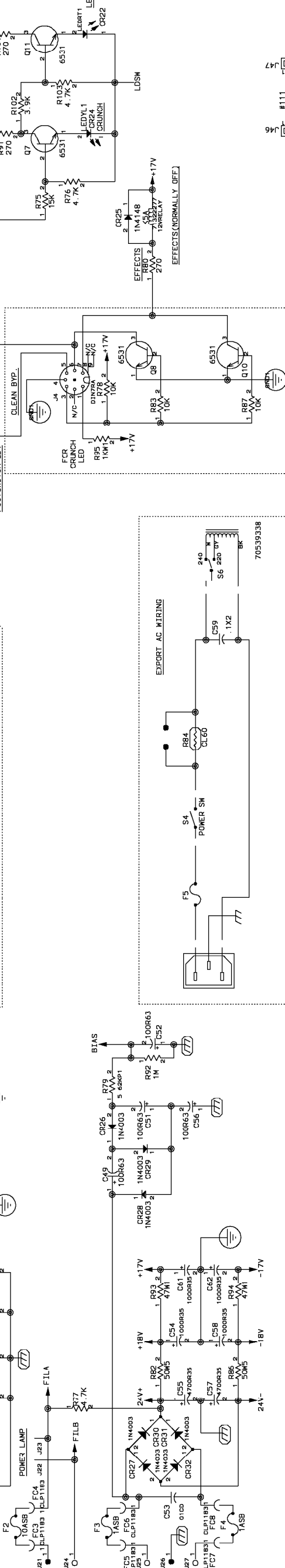


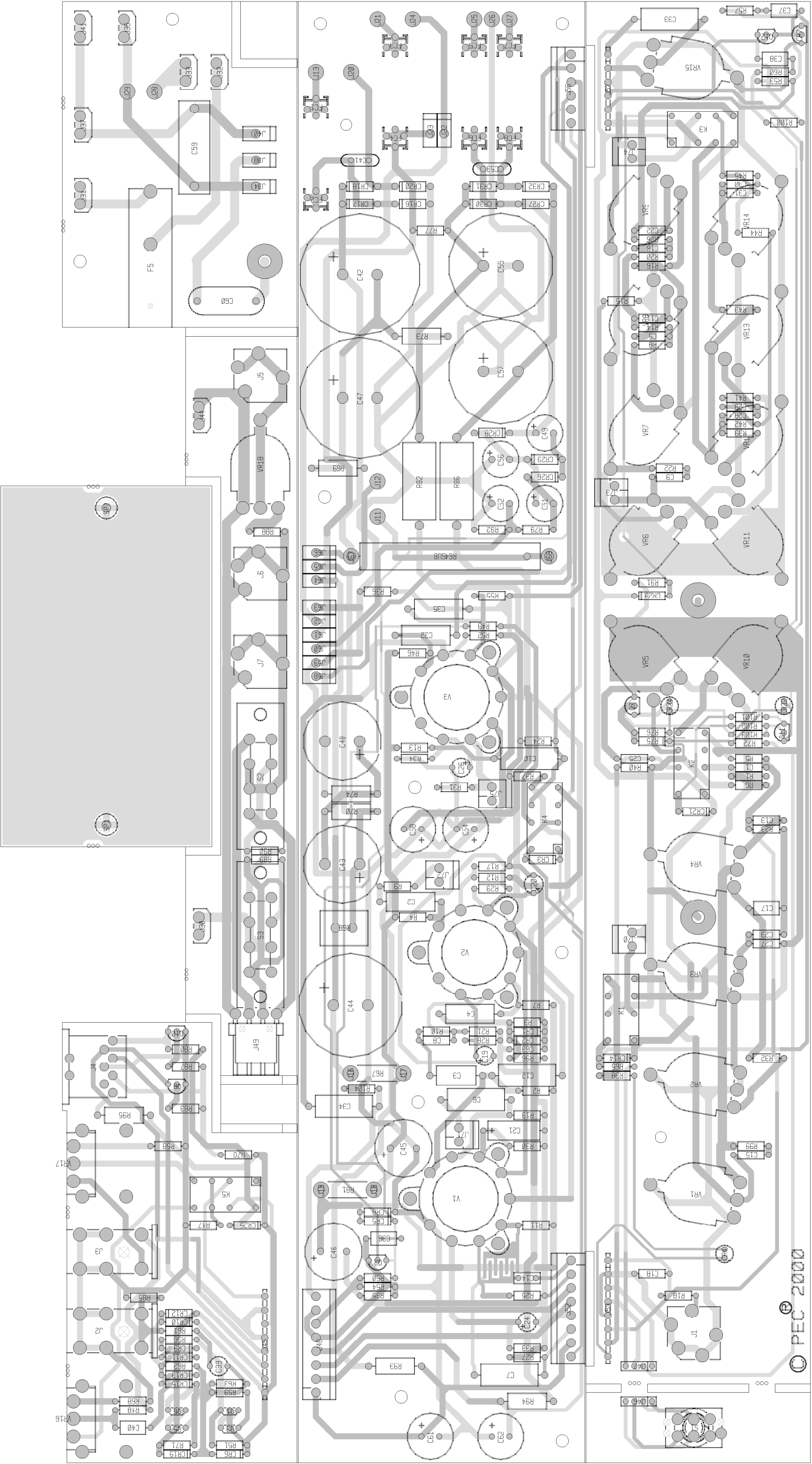
NOTICE: THIS CIRCUITRY IS PROTECTED BY U.S. PATENT NUMBER 4,890,331 OWNED BY PEAVEY ELECTRONICS CORP. USE OR COPYING WITHOUT EXPRESS WRITTEN PERMISSION FROM PEAVEY IS STRICTLY FORBIDDEN. VIOLATORS WILL BE PROSECUTED TO THE FULLEST EXTENT ALLOWED UNDER U.S. PATENT LAWS.



PEAVEY ELECTRONICS CORP. 711 A STREET Meridian, Mississippi 39301 TITLE Triple XXX preamp board CB#72100658/95099490

SIZE CODE NUMBER P0000112 REV D JMB DATE 19-APR-2001 SHEET 1 OF 1

COMPONENT PARTS LIST: #109, #110, #111, #160, #165, #168, #169, #170, #171, #172, #173, #174, #175, #176, #177, #178, #179, #180, #181, #182, #183, #184, #185, #186, #187, #188, #189, #190, #191, #192, #193, #194, #195, #196, #197, #198, #199, #200, #201, #202, #203, #204, #205, #206, #207, #208, #209, #210, #211, #212, #213, #214, #215, #216, #217, #218, #219, #220, #221, #222, #223, #224, #225, #226, #227, #228, #229, #230, #231, #232, #233, #234, #235, #236, #237, #238, #239, #240, #241, #242, #243, #244, #245, #246, #247, #248, #249, #250, #251, #252, #253, #254, #255, #256, #257, #258, #259, #260, #261, #262, #263, #264, #265, #266, #267, #268, #269, #270, #271, #272, #273, #274, #275, #276, #277, #278, #279, #280, #281, #282, #283, #284, #285, #286, #287, #288, #289, #290, #291, #292, #293, #294, #295, #296, #297, #298, #299, #300, #301, #302, #303, #304, #305, #306, #307, #308, #309, #310, #311, #312, #313, #314, #315, #316, #317, #318, #319, #320, #321, #322, #323, #324, #325, #326, #327, #328, #329, #330, #331, #332, #333, #334, #335, #336, #337, #338, #339, #340, #341, #342, #343, #344, #345, #346, #347, #348, #349, #350, #351, #352, #353, #354, #355, #356, #357, #358, #359, #360, #361, #362, #363, #364, #365, #366, #367, #368, #369, #370, #371, #372, #373, #374, #375, #376, #377, #378, #379, #380, #381, #382, #383, #384, #385, #386, #387, #388, #389, #390, #391, #392, #393, #394, #395, #396, #397, #398, #399, #400, #401, #402, #403, #404, #405, #406, #407, #408, #409, #410, #411, #412, #413, #414, #415, #416, #417, #418, #419, #420, #421, #422, #423, #424, #425, #426, #427, #428, #429, #430, #431, #432, #433, #434, #435, #436, #437, #438, #439, #440, #441, #442, #443, #444, #445, #446, #447, #448, #449, #450, #451, #452, #453, #454, #455, #456, #457, #458, #459, #460, #461, #462, #463, #464, #465, #466, #467, #468, #469, #470, #471, #472, #473, #474, #475, #476, #477, #478, #479, #480, #481, #482, #483, #484, #485, #486, #487, #488, #489, #490, #491, #492, #493, #494, #495, #496, #497, #498, #499, #500, #501, #502, #503, #504, #505, #506, #507, #508, #509, #510, #511, #512, #513, #514, #515, #516, #517, #518, #519, #520, #521, #522, #523, #524, #525, #526, #527, #528, #529, #530, #531, #532, #533, #534, #535, #536, #537, #538, #539, #540, #541, #542, #543, #544, #545, #546, #547, #548, #549, #550, #551, #552, #553, #554, #555, #556, #557, #558, #559, #560, #561, #562, #563, #564, #565, #566, #567, #568, #569, #570, #571, #572, #573, #574, #575, #576, #577, #578, #579, #580, #581, #582, #583, #584, #585, #586, #587, #588, #589, #590, #591, #592, #593, #594, #595, #596, #597, #598, #599, #600, #601, #602, #603, #604, #605, #606, #607, #608, #609, #610, #611, #612, #613, #614, #615, #616, #617, #618, #619, #620, #621, #622, #623, #624, #625, #626, #627, #628, #629, #630, #631, #632, #633, #634, #635, #636, #637, #638, #639, #640, #641, #642, #643, #644, #645, #646, #647, #648, #649, #650, #651, #652, #653, #654, #655, #656, #657, #658, #659, #660, #661, #662, #663, #664, #665, #666, #667, #668, #669, #670, #671, #672, #673, #674, #675, #676, #677, #678, #679, #680, #681, #682, #683, #684, #685, #686, #687, #688, #689, #690, #691, #692, #693, #694, #695, #696, #697, #698, #699, #700, #701, #702, #703, #704, #705, #706, #707, #708, #709, #710, #711, #712, #713, #714, #715, #716, #717, #718, #719, #720, #721, #722, #723, #724, #725, #726, #727, #728, #729, #730, #731, #732, #733, #734, #735, #736, #737, #738, #739, #740, #741, #742, #743, #744, #745, #746, #747, #748, #749, #750, #751, #752, #753, #754, #755, #756, #757, #758, #759, #760, #761, #762, #763, #764, #765, #766, #767, #768, #769, #770, #771, #772, #773, #774, #775, #776, #777, #778, #779, #780, #781, #782, #783, #784, #785, #786, #787, #788, #789, #790, #791, #792, #793, #794, #795, #796, #797, #798, #799, #800, #801, #802, #803, #804, #805, #806, #807, #808, #809, #810, #811, #812, #813, #814, #815, #816, #817, #818, #819, #820, #821, #822, #823, #824, #825, #826, #827, #828, #829, #830, #831, #832, #833, #834, #835, #836, #837, #838, #839, #840, #841, #842, #843, #844, #845, #846, #847, #848, #849, #850, #851, #852, #853, #854, #855, #856, #857, #858, #859, #860, #861, #862, #863, #864, #865, #866, #867, #868, #869, #870, #871, #872, #873, #874, #875, #876, #877, #878, #879, #880, #881, #882, #883, #884, #885, #886, #887, #888, #889, #890, #891, #892, #893, #894, #895, #896, #897, #898, #899, #900, #901, #902, #903, #904, #905, #906, #907, #908, #909, #910, #911, #912, #913, #914, #915, #916, #917, #918, #919, #920, #921, #922, #923, #924, #925, #926, #927, #928, #929, #930, #931, #932, #933, #934, #935, #936, #937, #938, #939, #940, #941, #942, #943, #944, #945, #946, #947, #948, #949, #950, #951, #952, #953, #954, #955, #956, #957, #958, #959, #960, #961, #962, #963, #964, #965, #966, #967, #968, #969, #970, #971, #972, #973, #974, #975, #976, #977, #978, #979, #980, #981, #982, #983, #984, #985, #986, #987, #988, #989, #990, #991, #992, #993, #994, #995, #996, #997, #998, #999, #1000.



TRIPLE X PREAMP

BILL OF MATERIALS REPORT

BOARD NAME: TRIPLE X PRE
 REPORT DATE: 12MAR01
 ASSEMBLY LEVEL NUMBER: 99909490 DESIGNER: JAMES MCFERRIN/GARY
 GOODIN PROJECT NUMBER: P000112

***** QTY, NAME VALUE NUMBER DEVICE DESIGNATIONS *****

CBDS PART	PART	DESCRIPTION AND
1 .001	.001	70340000 .001MF----10%---50VDC---MON---T&R
1 .001	A630 .001	A639 70320281 .001MF--630V--T&R--CAP
3 .002	.0022	70340004 .0022MF---10%---50VDC---T/C---T&R
1 .015	.015	70340010 .015MF---10%---50VDC---T/C---T&R
2 .01CD	.01CD	70320248 .01MF----20%---1000VDC---CD--T&A
1 .01DVLNP	.01DVLNP	70320104 .01MFD125VDCDVL MYLAR +0.20%
1 .022	.022	70340012 .022MF---10%---50VDC---MON---T&R
4 .022A400	.022A400	70320283 .022MF--400V--T&R--CAP
1 .047	.047	70340017 .047MF----10%---50VDC---MON---T&R
5 .047A400	.047A400	70320105 .047MFD450 VOLT T&R CAP
1 .068	.068	70340018 .068MF---10%---50VDC---MON---T&R
1 .1A250	.1A250	70320334 .1MFD 250 VOLT T&R CAP
4 .1P10	.1P10	70340101 .1MF-----10%---50VDC---MON---T&R
1 .1SF	.1SF	70330113 0.10MFD 10% 100V STCK FILM T&A

QTY	NAME	VALUE	NUMBER	DESCRIPTION AND
1 .1X2	.1X2	70320298	.1MF 250VAC X2 20%	
1 .47A50L	.47A50L	70340063	.47MFD 50V LOW LEAKAGE	
6 1.5K	1.5K	70240018	1.5K--1/4W--5%---CF--T&R	
1 100	100	70240010	100---1/4W--5%---CF--T&R	
4 100R35	100R35	70320186	1000JF---20%---35VDC--EL--T&A	
9 100K	100K	70240034	100K--1/4W--5%---CF--T&R	
2 100KRBV	100KRBV	71190517	100K LIN MIN VPC WBRACKET	
1 100KP1	100KP1	70240151	100K--1/4W--1%---MF--T&R	
4 100PF	100PF	70340054	100PF----10%---50VDC---T/C---T&R	
4 100R63	100R63	70320264	100MF---20%---63VDC---EL--T&A	
2 100V350	100V350	70320130	100 MFD 350VDC RADIAL SNAP-IN	
1 100V500	100V500	70320337	100MFD--+-20%-- 500VDC-- EL--R/S	
10 10K	10K	70240025	10K--1/4W--5%---CF--T&R	
3 12AX7A	12AX7A	70896612	12AX7 VACUUM TUBE W/70896614 BOT ENTRY SKT	
3 12VRELAY	12VRELAY	71322277	DEDT OMRON RELAY 12VDC	
3 150K	150K	70240035	150K--1/4W--5%---CF--T&R	
1 150KP1	150KP1	70241035	150K--1/4W--1%---MF--T&R	

QTY	NAME	VALUE	NUMBER	DESCRIPTION AND
1 15K	15K	70240027	15K--1/4W--5%---CF--T&R	
2 1740	1740	70401740	25CI740SLN.40V.1A.NPN. LOW NOISE T&A	
1 180PF	180PF	70340056	180PF-----10%---50VDC---T/C---T&R	
2 187SOWR	187SOWR	70901854	70901854 SPCR.R.74-403X/16SW.AL.S	
1 1K	1K	70240017	1K---1/4W--5%---CF--T&R	
1 1KW1	1KW1	70210000	1K---1W-----5%---MO--T&R	
9 1M	1M	70240039	1M---1/4W--5%---CF--T&R	
7 1N4003	1N4003	70464003	1N4003 2007 SILICON DIODE	
4 1N4007	1N4007	70464007	1N4007 1KV, 1A, SILICON DIODE	
15 1N4148	1N4148	70464148	1N4148 75V .0MA SILICON DIODE	
2 1N757	1N757	70400757	1N757A 9.1V 5% ZENER DIODE	
1 2.2N	2.2M	70240040	2.2M--1/4W--5%---CF--T&R	
9 220K	220K	70240036	220K--1/4W--5%---CF--T&R	
4 220KW1	220KW1	70210008	220K--1W---5%---MO--T&R	
3 22K	22K	70240029	22K--1/4W--5%---CF--T&R	

QTY	NAME	VALUE	NUMBER	DESCRIPTION AND
1 15K	15K	70240027	15K--1/4W--5%---CF--T&R	
2 1740	1740	70401740	25CI740SLN.40V.1A.NPN. LOW NOISE T&A	
1 180PF	180PF	70340056	180PF-----10%---50VDC---T/C---T&R	
2 187SOWR	187SOWR	70901854	70901854 SPCR.R.74-403X/16SW.AL.S	
1 1K	1K	70240017	1K---1/4W--5%---CF--T&R	
1 1KW1	1KW1	70210000	1K---1W-----5%---MO--T&R	
9 1M	1M	70240039	1M---1/4W--5%---CF--T&R	
7 1N4003	1N4003	70464003	1N4003 2007 SILICON DIODE	
4 1N4007	1N4007	70464007	1N4007 1KV, 1A, SILICON DIODE	
15 1N4148	1N4148	70464148	1N4148 75V .0MA SILICON DIODE	
2 1N757	1N757	70400757	1N757A 9.1V 5% ZENER DIODE	
1 2.2N	2.2M	70240040	2.2M--1/4W--5%---CF--T&R	
9 220K	220K	70240036	220K--1/4W--5%---CF--T&R	
4 220KW1	220KW1	70210008	220K--1W---5%---MO--T&R	
3 22K	22K	70240029	22K--1/4W--5%---CF--T&R	

2 RASN6165 71466165 JK R/A 12.5MM NIN STEREO -88

J2, J2

8 SPD 73716194 73716194 .250 RC MNT SPADE .093 PCB

J30, J31, J32, J33, J35, J37, J41, J44

12 SPX1 SPX1 73717003 1 STAKE PIN

J34, J38, J40, J58, J59, J60, J61, J62,
J63, J64, J65, J66

2 SPXIU SPXIU 73717003 1 STAKE PIN

J22, J23

6 SPX2 SPX2 XXXXXXXXXX 2 EACH OF STAKE PINS

J70, J71, J72, J73, J74, J75

1 SPX6 SPX6 XXXXXXXXXX 6 EACH OF STAKE PINS

J56

2 SPX8 SPX8 XXXXXXXXXX 8 EACH OF STAKE PINS

J48, J52

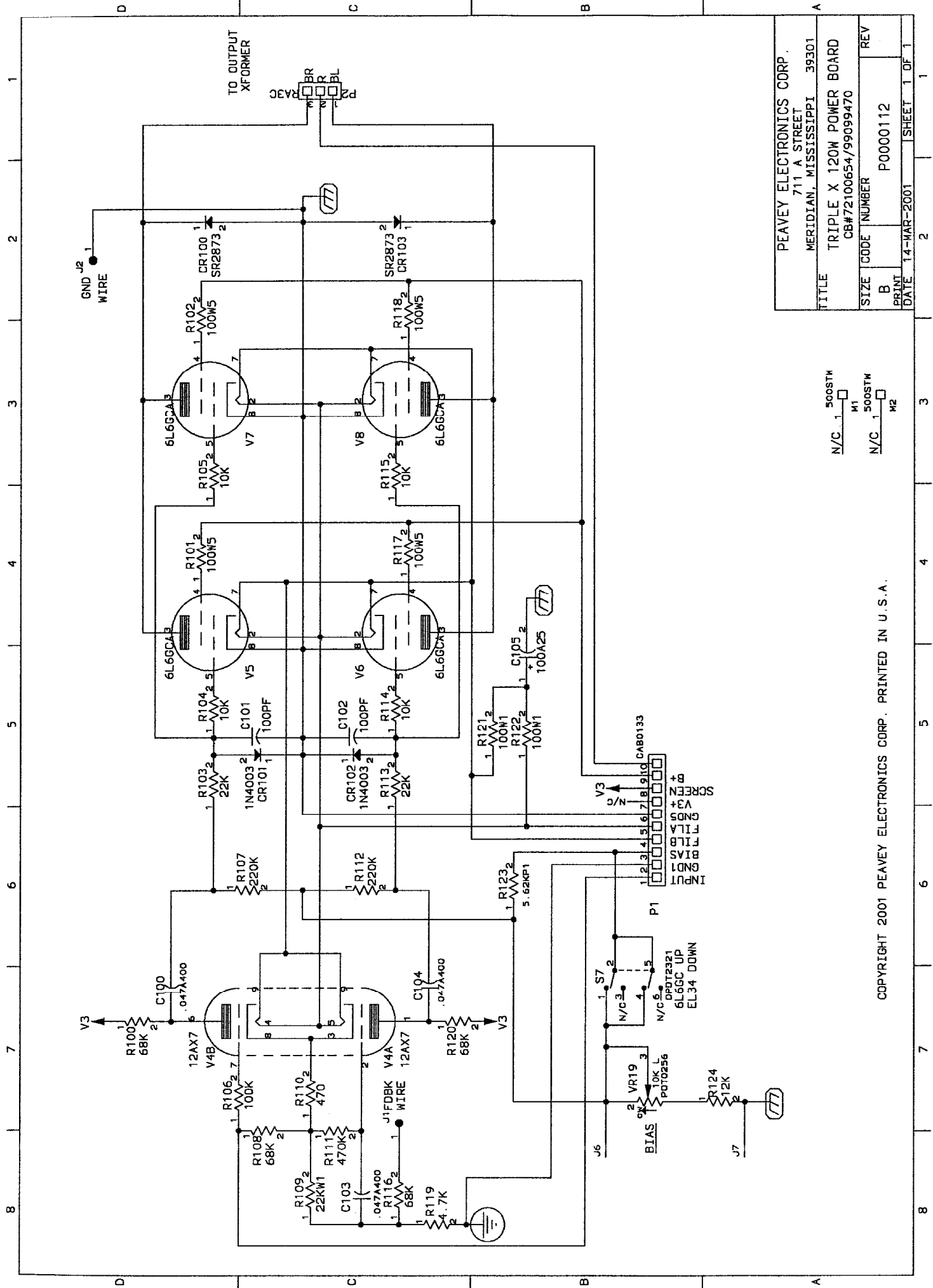
2 SW2328 SW2328 71322328 2PTTPC MOUNT SLIDE SWITCH

S2, S3

1 SW2368 71322368 71322368 SP-TT TOGGLE SWITCH

SI

* END OF BILL OF MATERIALS REPORT *



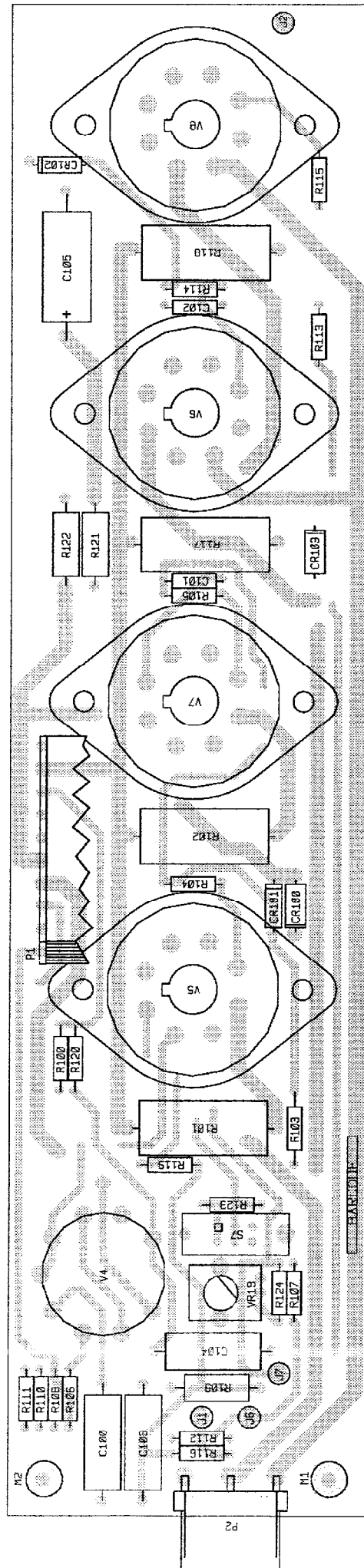
PEAVEY ELECTRONICS CORP.	
711 A STREET	
MERIDIAN, MISSISSIPPI 39301	
TITLE	
TRIPLE X 120W POWER BOARD	
CB#72100654/99099470	
SIZE	REV
B	P0000112
PRINT	
DATE	14-MAR-2001
SHEET 1 OF 1	

N/C 500STH
M1

N/C 500STH
M2

COPYRIGHT 2001 PEAVEY ELECTRONICS CORP. PRINTED IN U.S.A.

TRIPLE XXX 112/212/POWER



FOR TRIPLE XXX 112 60W DO NOT INSERT V5, V8, R101, R110

BILL OF MATERIALS REPORT

BOARD NAME: XXXPWR REPORT DATE: 19NOV02
 ASSEMBLY LEVEL NUMBER: 99099471 DESIGNER: ELBERT COLEMAN
 PROJECT NUMBER: P0000112

CBDS
 PART PART DESCRIPTION AND

** QTY. NAME VALUE NUMBER DEVICE DESIGNATIONS *****

1	72100654	72100654	72100654	PCB
3	.047A400	.047A400	70320105	.047MFD 450 VOLT T&R CAP C100, C103, C104
1	100A25	100A25	70320014	100 MFD 25VDC LYTIC CAP C105
1	100K	100K	70240034	100K--1/4W--5%---CF--T&R R106
2	100PF	100PF	70340054	100PF-----10%---50VDC---T/C---T&R C101, C102
2	100W1	100W1	70210003	100---1W---5%---MO--T&R R121, R122
2	100W5	100W5	70250006	100--5W--10%--WW--AXL R102, R117
4	10K	10K	70240025	10K---1/4W--5%---CF--T&R R104, R105, R114, R115
1	12AX7	12AX7	70806612	12AX7 VACUUM TUBE W/9 PIN PC MNT SOCKET V4
1	12K	12K	70240057	12K---1/4W--5%---CF--T&R R124
2	1N4003	1N4003	70464003	1N4003 200V SILICON DIODE CR101, CR102
2	220K	220K	70240036	220K--1/4W--5%---CF--T&R R107, R112
2	22K	22K	70240029	22K---1/4W--5%---CF--T&R R103, R113
1	22KW1	22KW1	70210005	22K---1W---5%---MO--T&R R109
1	4.7K	4.7K	70240023	4.7K--1/4W--5%---CF--T&R R119

1 470 470 70240015 470---1/4W--5%---CF--T&R
R110

1 470K 470K 70240038 470K--1/4W--5%---CF--T&R
R111

1 5.62KP1 5.62KP1 70241008 5.62K-1/4W--1%---MF--T&R
R123

2 500STW 70901859 70901859 SPCR,R,TA-40X1/2,SW,AL,ST
M1, M2

4 68K 68K 70240032 68K---1/4W--5%---CF--T&R
R100, R108, R116, R120

2 6L6GCA 6L6GCA 70806604 6L6GC VAC TUBE W/INS SOCKET 70806627
V6, V7

1 CAB0133 70600133 70600133 10C PRE-TIN .156 - 5" CONN.
P1

1 DPDT2321 DPDT2321 71322321 SWITCH, DPDT PCMNT SLIDE
S7

1 POT0256 71190256 71190256 10KB 9MM VPC S/K
VR19

1 RA3C RA3C 73719110 3 PIN R/A HEADER .312 W/FRICTION LOCK
P2

2 SR2873 SR2873 70402873 SR2873 2KV, 250MA SILICON DIODE
CR100, CR103

1 WJ8BK3SR WJ8BK3SR 91090520 BK--18G--3"CPT/250 RA SPD
J2

1 WJ8BK5SP WJ8BK5SP 91090506 BK-18G-5"-CPT-250SPD/RA
J1

1 WJ8BK6FM WJ8BK6FM 91103769 BLACK 6" 18GA CPT W/FEMALE CONTACT PIN
J6

1 WJ8RD6FM WJ8RD6FM 91103768 RED 6" 18GA CPT W/FEMALE CONTACT PIN
J7

* END OF BILL OF MATERIALS REPORT *
