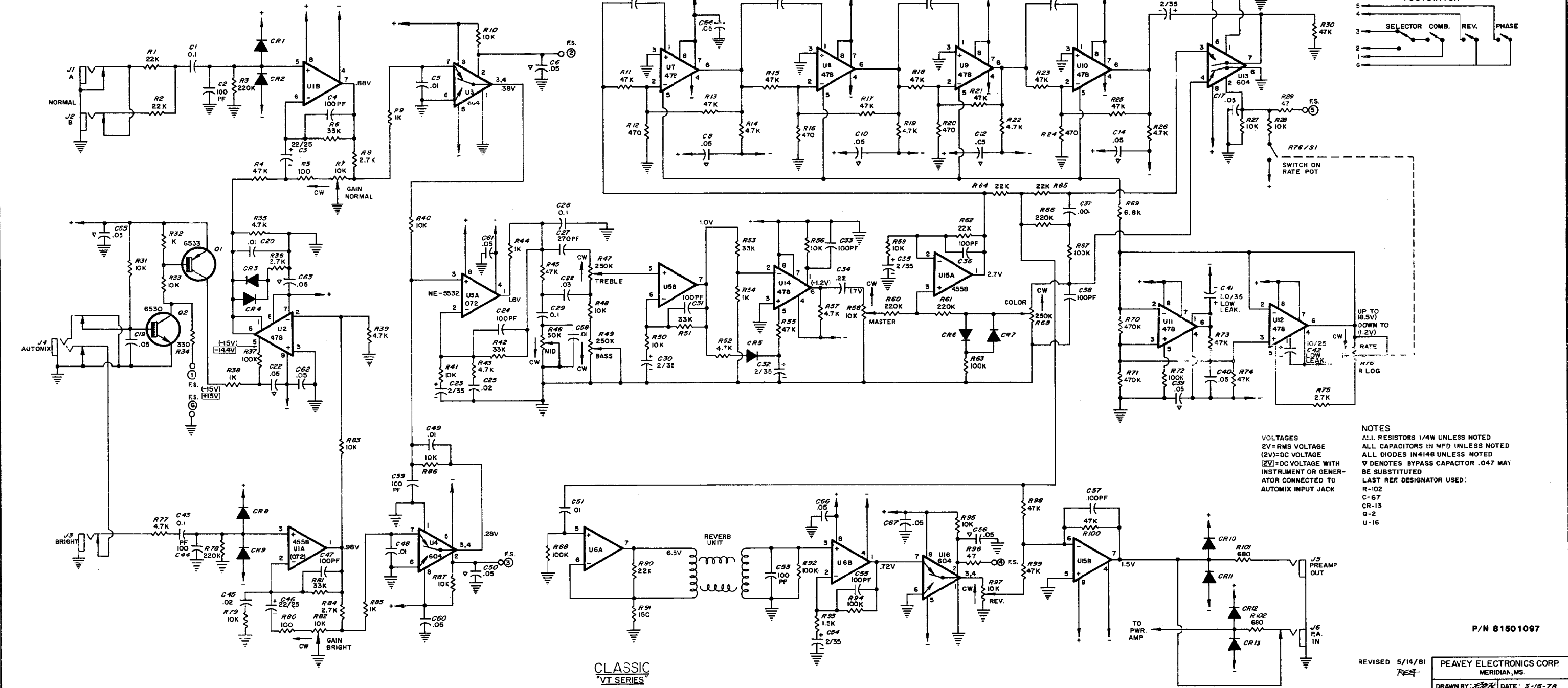


TEST CONDITIONS:
 INPUT SIGNAL - .15VRMS @ 1KHz
 TONE CONTROLS AT 12:00
 MASTER GAIN FULL
 ADJUST PRE GAIN FOR 14VRMS AT OUTPUT



NOTES
 ALL RESISTORS 1/4W UNLESS NOTED
 ALL CAPACITORS IN MFD UNLESS NOTED
 ALL DIODES IN 4148 UNLESS NOTED
 ∇ DENOTES BYPASS CAPACITOR .047 MAY BE SUBSTITUTED
 LAST REF DESIGNATOR USED:
 R-102
 C-67
 CR-13
 Q-2
 U-16

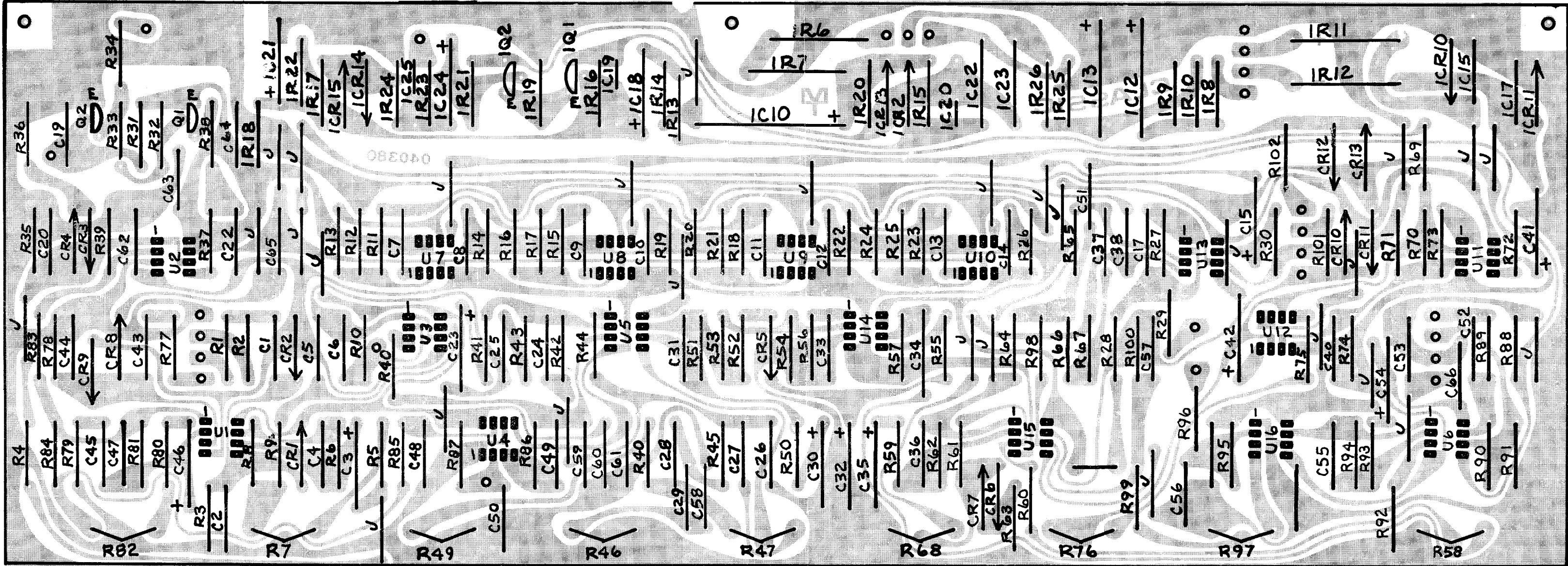
VOLTAGES
 2V=RMS VOLTAGE
 (2V)=DC VOLTAGE
 (∇)=DC VOLTAGE WITH INSTRUMENT OR GENERATOR CONNECTED TO AUTOMIX INPUT JACK

CLASSIC
 VT SERIES
 PREAMP
 BD.#99001615

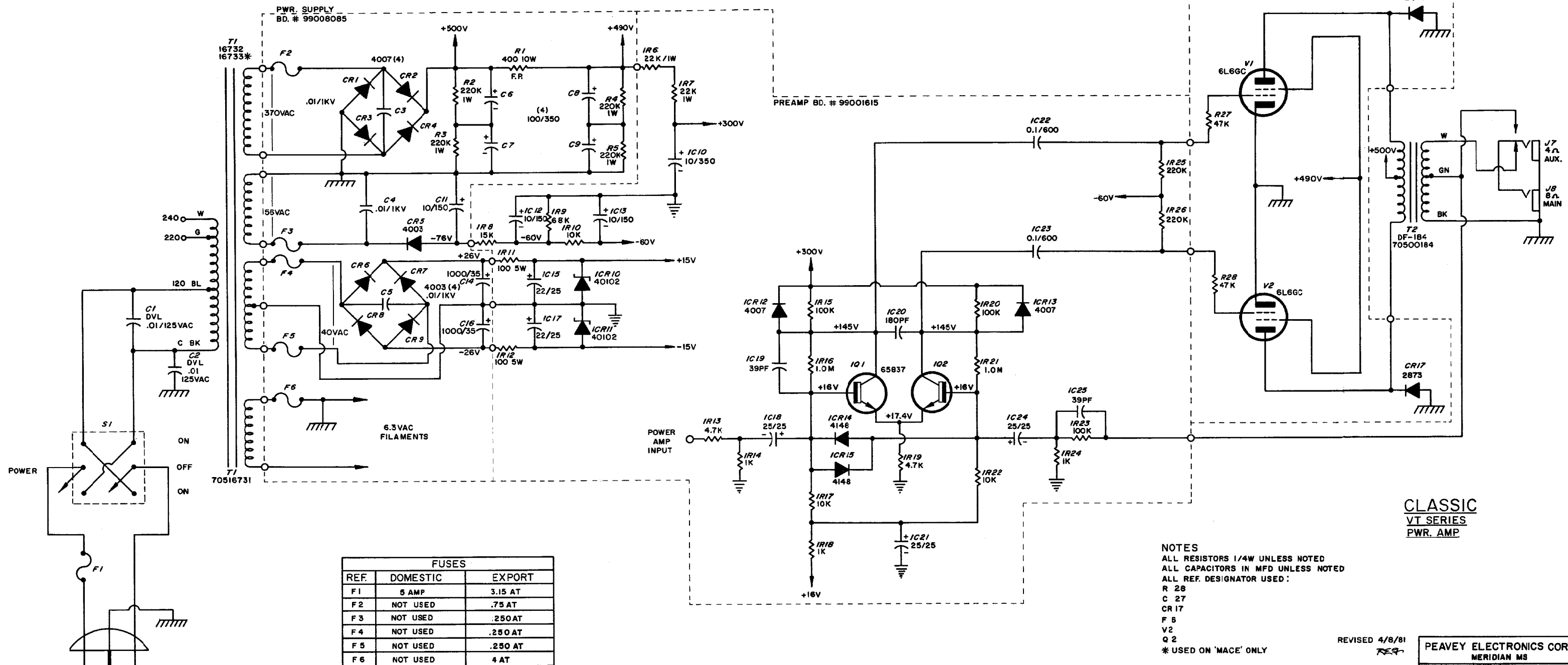
P/N 81501097

REVISED 5/14/81
 REE

PEAVEY ELECTRONICS CORP. MERIDIAN, MS.	
DRAWN BY: <i>[Signature]</i>	DATE: 5-15-78
CK. BY: <i>[Signature]</i>	
APPR BY: L. A. K 4-18-78	



CLASSIC "78"



FUSES		
REF.	DOMESTIC	EXPORT
F 1	5 AMP	3.15 AT
F 2	NOT USED	.75 AT
F 3	NOT USED	.250 AT
F 4	NOT USED	.250 AT
F 5	NOT USED	.250 AT
F 6	NOT USED	4 AT

NOTES
 ALL RESISTORS 1/4W UNLESS NOTED
 ALL CAPACITORS IN MFD UNLESS NOTED
 ALL REF. DESIGNATOR USED:
 R 28
 C 27
 CR 17
 F 6
 V 2
 Q 2
 * USED ON 'MACE' ONLY

REVISED 4/8/81
 REA

**CLASSIC
 VT SERIES
 PWR. AMP**

PEAVEY ELECTRONICS CORP.
 MERIDIAN MS
 DRAWN BY *[Signature]* DATE 7-24-78
 CK. BY *[Signature]*
 APPR. BY *[Signature]*

DEUCE/MACE/CLASSIC/ARTIST POWER SUPPLY BOARD

JUMPER USED ONLY IN "CLASSIC" MODEL

