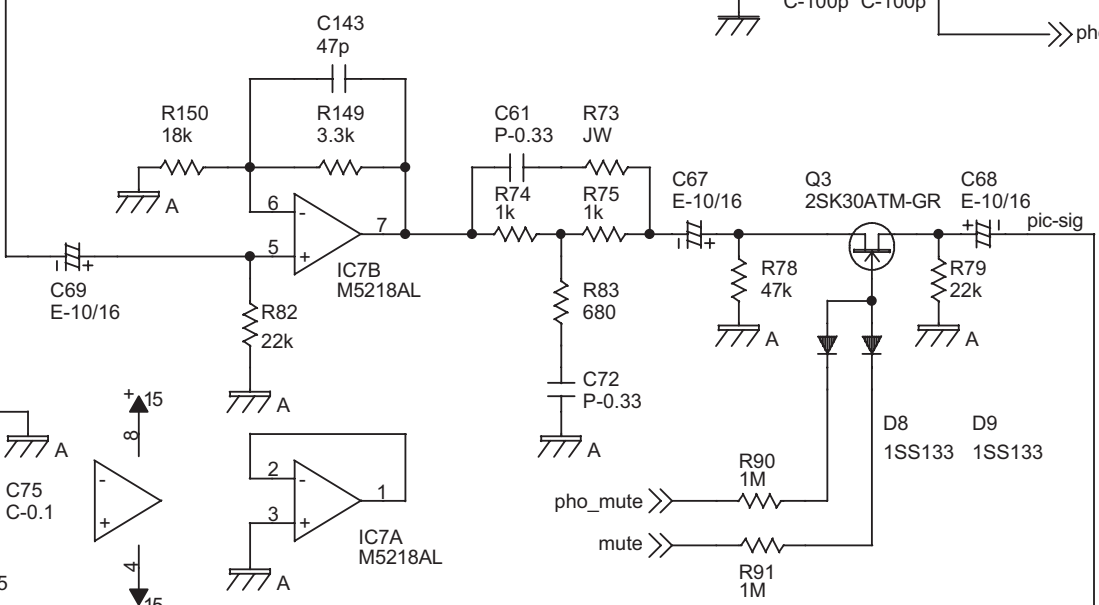
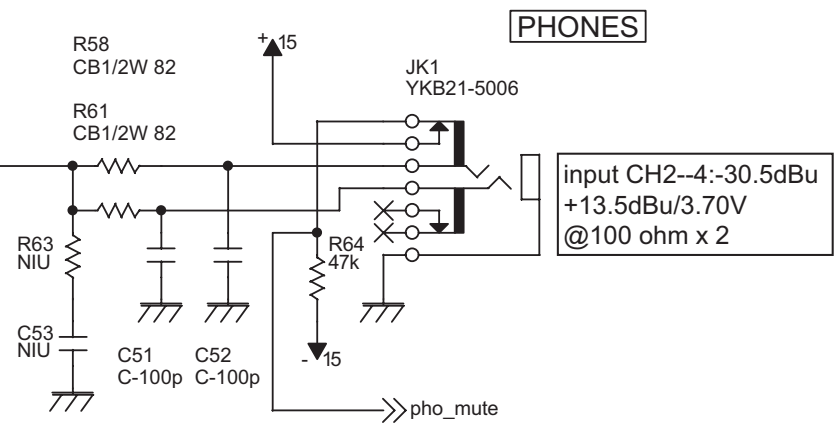
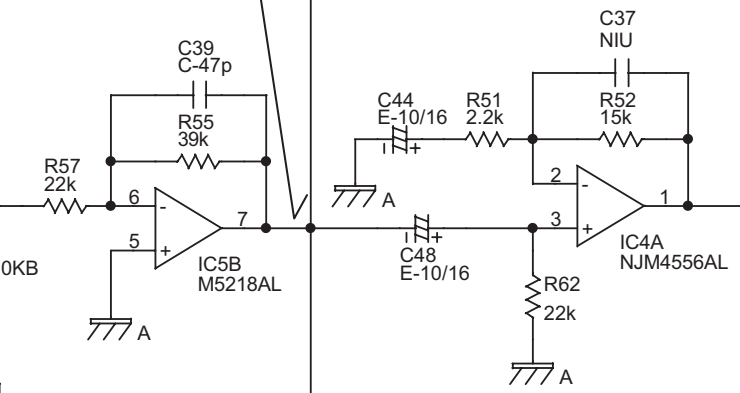
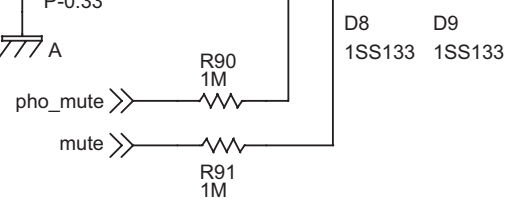
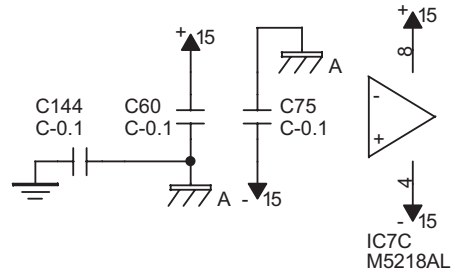


+5.0dBu/1.38V



mute



pic-sig