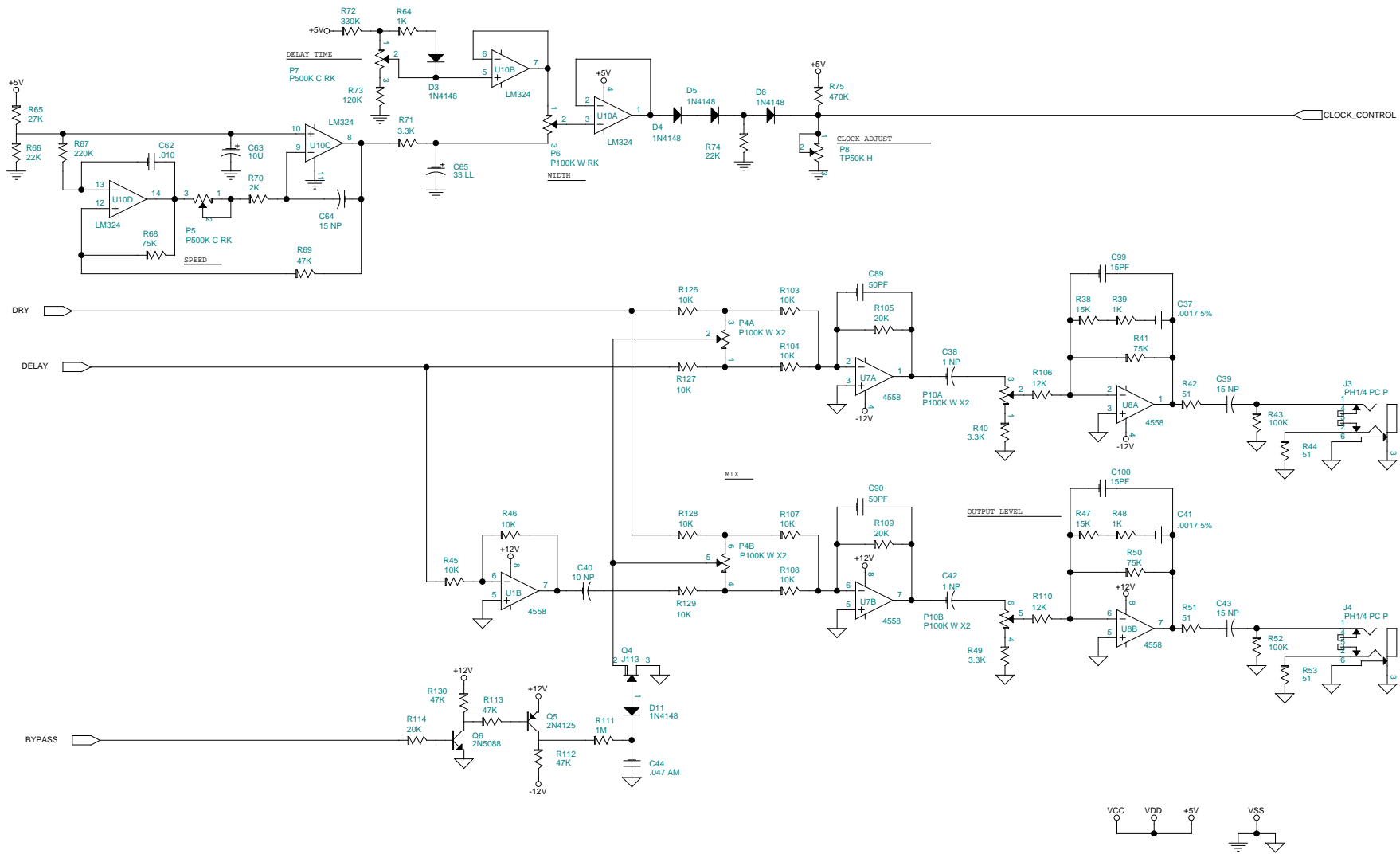
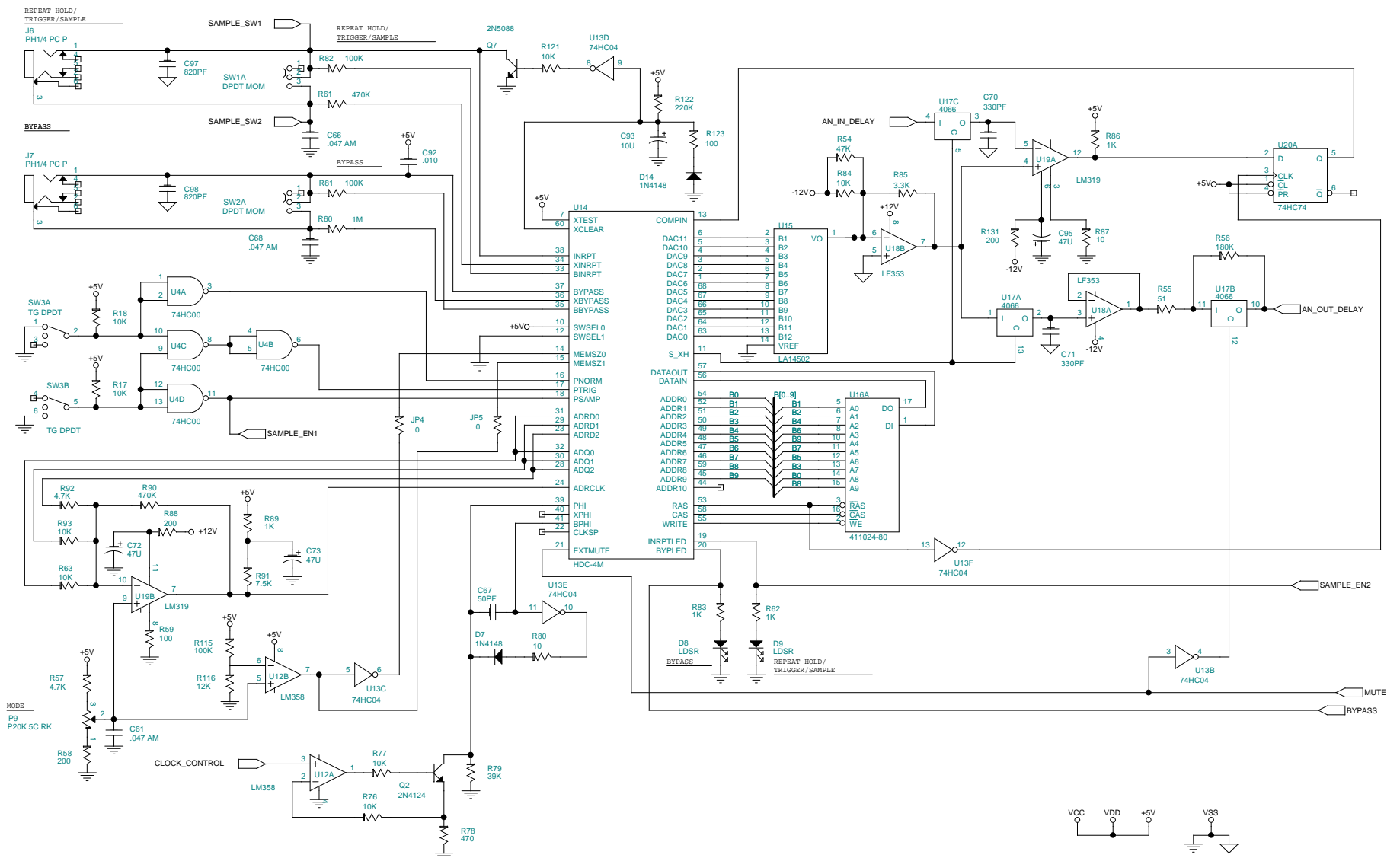


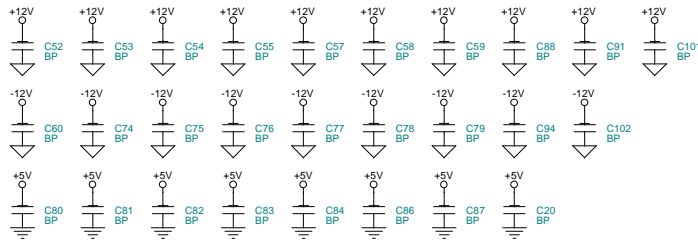
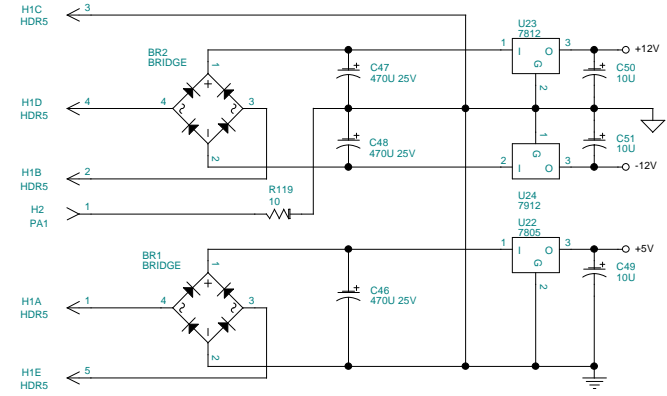
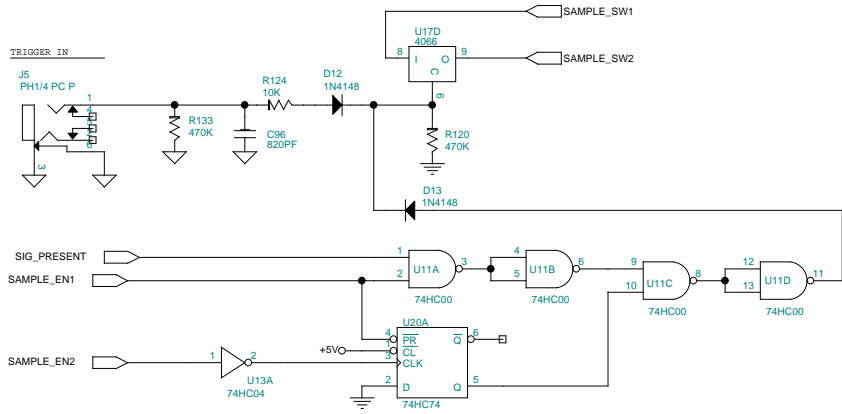
DOD Electronics, Inc.			
5639 So. Riley Lane Salt Lake City, Utah 84107			
Title RDS 2000			
Size B	Document Number RD2KA001.SCH	Rev A0	
Date: Wednesday, December 13, 2000 Sheet 1 of 4			



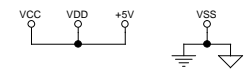
DOD Electronics, Inc.			
5639 So. Riley Lane Salt Lake City, Utah 84107			
Title RDS 2000			
Size B	Document Number RD2KA02.SCH	Rev A0	
Date:	Wednesday, December 13, 2000	Sheet	2 of 4



DOD Electronics, Inc.		
5639 So. Riley Lane Salt Lake City, Utah 84107		
Title RDS 2000		
Size B	Document Number RD2KA003.SCH	Rev A0
Date: Wednesday, December 13, 2000 Sheet 3 of 4		



- NOT USED
- LAST REF.
- BR2
  - CI03
  - D14
  - H2
  - J7
  - JP6
  - F11
  - Q7
  - R134
  - SW3
  - U24



DOD Electronics, Inc.		
5639 So. Riley Lane Salt Lake City, Utah 84107		
Title RDS 2000		
Size B	Document Number RD2KA004.SCH	Rev A0
Date:	Wednesday, December 13, 2000	Sheet 4 of 4