

FENDER VACUUM TUBE 60 SERIES AMPLIFIERS

SUPER 60 -- PART NUMBER 21-6400
 SUPER 60 HEAD -- PART NUMBER 21-6407
 SUPER 60 RACK -- PART NUMBER 21-6408

PARTS LIST PAGE 1 OF 7

This list itemizes parts common to all 60 series models. Parts not common to all include the appropriate model name. A coded naming convention is used in the description of certain parts. The codes and what they mean follow:

RESISTOR CODES

RESCF carbon film

CAPACITOR CODES

CAPCD ceramic disc
 CAPRF radial film

RESISTOR CODES

RESWW wirewound

CAPACITOR CODES

CAPAE axial electrolytic
 CAPRE radial electrolytic

CIRCUIT BOARD ASSEMBLY:

QTY	PART #	DESCRIPTION	REFERENCE DESIGNATION
1	031205	CKT BD ASS'Y 100V	CK1 (SUPER 60)
1	028920	CKT BD ASS'Y 120V	CK1 (SUPER 60)
1	031204	CKT BD ASS'Y 220/240V	CK1 (SUPER 60)
1	031214	CKT BD ASS'Y 100V	CK1 (S60 HEAD)
1	031212	CKT BD ASS'Y 120V	CK1 (S60 HEAD)
1	031213	CKT BD ASS'Y 220/240V	CK1 (S60 HEAD)
1	031220	CKT BD ASS'Y 100V	CK1 (S60 RACK)
1	029845	CKT BD ASS'Y 120V	CK1 (S60 RACK)
1	031218	CKT BD ASS'Y 220/240V	CK1 (S60 RACK)
8	027683	BARREL TERMINAL POST	BT1-6,BT201,202
5	031194	CABLE RIBBON 2 CKT 2"	CB1
3	012964	CABLE TIE 4"	CT1
3	025960	CAPAE 16V 22uF	C101,106,108
4	028953	CAPAE 350V 100uF	C131-134
2	024819	CAPAE 500V 22uF 10%	C135,136
1	060962	CAPCD 1KV 1000pF 10%	C10
2	069724	CAPCD 1KV 100pF 10%	C4,137
1	025777	CAPCD 1KV 470pF 10%	C103
2	025979	CAPCD 1KV 50pF 10%	C120,113
2	025951	CAPCD 1KV 750pF 10%	C8,3
1	031875	CAPRE 470V 50uF	C127
3	031040	CAPRE 100V 100uF	C126,129,130
2	028465	CAPRE 25V 22uF 20%	C110,117
1	028471	CAPRE 50V 47uF 20%	C128
2	027257	CAPRF 100V.0022 10%	C109,112
1	024876	CAPRF 250V .68uF 10%	C104

FENDER VACUUM TUBE 60 SERIES AMPLIFIERS

PARTS LIST PAGE 2 OF 7

CIRCUIT BOARD ASSEMBLY (CONTINUED):

QTY	PART #	DESCRIPTION	REFERENCE DESIGNATION
2	025962	CAPRF 400V .0047uF	C102,105
1	024845	CAPRF 400V .047uF	C7
4	024835	CAPRF 630V .022uF	C124,107,125,122
1	024855	CAPRF 630V .1uF 10%	C6
3	027272	CAPRF 63V .047uF 10	C116,111,118
1	027280	CAPRF 63V .15uF 10%	C115
3	027278	CAPRF 63V .1uF 10%	C2,9,123
1	027281	CAPRF 63V .22uF 10%	C1
3	027286	CAPRF 63V .47uF 10%	C114,119,121
1	028919	CIRCUIT BOARD FAB	PC1
1	026046	CTRL 1MEG 10A DUAL (GAIN)	R5
1	024663	CTRL 1MEG 30A (DIST VOL)	R16
2	028576	CTRL 250K 10A (BASS TREB)	R12,14
1	024662	CTRL 250K 30A (VOL)	R8
1	029500	CTRL 25K 10A (MID)	R13
1	029503	CTRL 25K 10C (PRESENCE)	R18
1	029501	CTRL 5K B (REVERB)	R17
2	029690	DIODE 3KV 200MA R3000	D101,102
6	026730	DIODE RECT 1A 800V 1N5062	D103-108
1	006260	DIODE SIGNAL 75PRV 1N4448	D109
4	064089	DIODE RECT 1A 200V 1N4003	D201-204 (S60 RACK)
30	025802	FASTON TAB, .250	CP101,102,106,107,120 +C112-117,122-140
1	026559	FUSE 3A SLO BLO	XF1 (100V MODELS)
1	013737	FUSE 4A SLO BLO	XF2 (100V MODELS)
1	021717	FUSE 2.5A SLO BLO	F1 (120V MODELS)
1	026559	FUSE 3A SLO BLO	F2 (120V MODELS)
1	013114	FUSE 1.6AT	XF1 (220/240V MODELS)
1	013115	FUSE 2AT	XF2 (220/240V MODELS)
1	013109	FUSE 250mAT	XF5 (220/240V MODELS)
1	013112	FUSE 1AT	XF4 (220/240V MODELS)
1	013681	FUSE 5AT	XF3 (220/240V MODELS)
1	022547	FUSE CAP, CARRIER 3AG	AT XF1 (120/100V)
1	022548	FUSE CAP, CARRIER 5mm	AT XF1 (220/240V)
6	020775	FUSE CLIP 5mm	AT XF3-5 (220/240V)
2	025996	FUSE CLIP DUAL	AT XF2 (ALL)
1	022546	FUSE HOLDER	AT XF1 (ALL)
5	025929	JACK MONO (IN/FTSW/EF/LIN)	J1-3,101,103
1	025929	JACK MONO (SPKR 8 OHM)	J105 (S60 HEAD/RACK)
2	025931	JACK STER (PWR AM IN/SPKR)	J104,102
10	026043	JUMPERS .8"	W102,103,106,118 +W109-114
1	025926	LED RED PCBM (OVERDRIVE)	LD1
1	027287	LED RED PANEL MT (PILOT)	LD101
3	028098	LED GREEN	LD204-206 (S60 RACK)

FENDER VACUUM TUBE 60 SERIES AMPLIFIERS

PARTS LIST PAGE 3 OF 7

CIRCUIT BOARD ASSEMBLY (CONTINUED):

QTY	PART #	DESCRIPTION	REFERENCE DESIGNATION
2	028097	LED YELLOW	LD202,203 (S60 RACK)
1	028039	LED RED	LD201 (S60 RACK)
6	470144	LED SPACER .700	AT LD201-6 (S60 RACK)
2	016795	OP-AMP DUAL JFET TL072CP	U101,102
3	031244	OPTOISOLATOR DUAL VTL5C3/2	OP1-3
1	031767	RESCF 1/2W 15ohm 5%	R202 (S60 RACK)
1	025937	RESCF 1/2W 22ohm 5%	R151
1	031768	RESCF 1/2W 27ohm 5%	R203 (S60 RACK)
1	031769	RESCF 1/2W 75ohm 5%	R205 (S60 RACK)
3	025116	RESCF 1/2W 100K 5%	R101,105,145
1	026368	RESCF 1/2W 100ohm 5%	R161
1	025113	RESCF 1/2W 10K 5%	R158
1	025117	RESCF 1/2W 220K 5%	R112
1	026512	RESCF 1/2W 3.9K 5%	R157
1	027869	RESCF 1/2W 470ohm 5%	R155
3	025109	RESCF 1/2W 47ohm 5%	R159,160 (R204 RACK)
1	025941	RESCF 1/2W 560ohm 5%	R149
1	031065	RESCF 1/2W 91K 5%	R140
1	024967	RESCF 1/4W 1.2K 5%	R19
2	024981	RESCF 1/4W 10K 5%	R130,122
2	024965	RESCF 1/4W 1K 5%	R128,156
1	024987	RESCF 1/4W 22K 5%	R132
1	024947	RESCF 1/4W 47ohm 5%	R120
1	029598	RESCF 1/4W 110ohm 5%	R206 (S60 RACK)
1	024942	RESCF 1/4W 220ohm 5%	R207 (S60 RACK)
4	024995	RESCF 1/4W 68K 5%	R1,2,169,108
2	025071	RESCF 1/4W 1.2M 5%	R125,117
5	024969	RESCF 1/4W 1.5K 5%	R102,113,141,144,124
6	024997	RESCF 1/4W 100K 5%	R109,10,114,127,142 +R143
1	024952	RESCF 1/4W 100ohm 5%	R150
1	024998	RESCF 1/4W 120K 5%	R131
1	024999	RESCF 1/4W 150K 5%	R116
3	025069	RESCF 1/4W 1M 5%	R3,9,172
2	024972	RESCF 1/4W 2.7K 5%	R6,106
3	025059	RESCF 1/4W 220K 5%	R110,126,129
2	025060	RESCF 1/4W 270K 5%	R4,7
1	024988	RESCF 1/4W 27K 5%	R148
1	024973	RESCF 1/4W 3.3K 5%	R111
3	025063	RESCF 1/4W 390K 5%	R103,107,115
1	024991	RESCF 1/4W 39K 5%	R118
1	024977	RESCF 1/4W 4.7K 5%	R119
6	025065	RESCF 1/4W 470K 5%	R15,133,134,137,121 +R123

FENDER VACUUM TUBE 60 SERIES AMPLIFIERS

PARTS LIST PAGE 4 OF 7

CIRCUIT BOARD ASSEMBLY (CONTINUED):

QTY	PART #	DESCRIPTION	REFERENCE DESIGNATION
2	024979	RESCF 1/4W 6.8K 5%	R136,138
1	024963	RESCF 1/4W 680ohm 5%	R135
1	026510	RESCF 1/4W 9.1K 5%	R139
1	031076	RESCF 1W 120K 5%	R167
4	027354	RESCF 1W 220K 5%	R162-165
1	031066	RESCF 1W 2K 5%	R152
2	028740	RESCF 1W 470ohm 5%	R146,147
2	031067	RESCF 1W 750ohm 5%	R154,153
1	031251	RESWW 5W 82ohm 10%	R201 (S60 RACK)
14	020888	RESISTOR ZERO OHM	W1-W5,101,104,105,107 +W108,115-117,119
1	026483	RESWW 10W 2.7K 10%	R166
1	026486	RESWW 10W 30k 10%	R168
4	016440	STAND OFF ALUM 6-32 x 1"	SF1-4
2	025804	STAND OFF ALUM 6-32 x 1/2"	SF5,6 (S60 RACK)
1	028091	SWITCH 2P2T (OVERDRIVE)	SW3
1	028101	SWITCH PUSH BUTTON	AT SW3
1	026446	SWITCH VOLTAGE SELECTOR	SW4 (220/240V)
4	029962	TUBING FIBER .08 x .5"	AT R168,166
3	029167	TUBE SOCKET 12AX7A	V101-103
2	029343	TUBE SOCKET 6L6	V104,105
1	031157	WIRE SET	WS1
2	009165	ZENER 15V 1W 10% 1N4744A	Z101 Z102
1	031635	ZENER 10V .5W 5% 1N5240	Z1
1	031256	ZENER 19V 5W 5% 1N5356B	Z201 (S60 RACK)
5	031017	ZENER 2.7V .5W 5% 1N5223B	Z202-206 (S60 RACK)

MISCELLANEOUS:

QTY	PART #	DESCRIPTION	REFERENCE DESIGNATION
1	021709	BUSHING STRAIN RELIEF	SR1
1	026038	BUSHING STRAIN RELIEF	SR2
1	026116	BUSHING STRAIN RELIEF	SR3
1	028069	BUSHING NYL 3/4 x 1-1/8	SR4
1	031263	BUSHING NYL 3/4 x 15/16	SR5
1	026541	CABLE ASS'Y PWR 100/120V	CB1
1	028577	CABLE ASS'Y REVERB 30"	CB2
1	022707	CHOKE FILTER	L1
1	022491	CLAMP CABLE NYL 5/16	CC1
2	031091	CLAMP TUBE	TC1
2	024752	CHASSIS STRAP NICKEL	NS1,2
1	028913	CHASSIS	CH1 (SUPER 60)
1	029836	CHASSIS	CH1 (S60 RACK)

FENDER VACUUM TUBE 60 SERIES AMPLIFIERS

PARTS LIST PAGE 5 OF 7

MISCELLANEOUS (CONTINUED):

QTY	PART #	DESCRIPTION	REFERENCE DESIGNATION
4	026566	CORNER AMP 2 HOLE	CN1-4
2	026568	CORNER AMP 3 HOLE	CO1-4
4	029821	EYELET RFLNGD .215 x .315	ET1-4
1	028890	FOOTSWITCH ASS'Y 1 BUTTON	FT1
4	019275	GLIDE CUSHION INSERT	GL1-4
4	019276	GLIDE CABINET	CG1-4
2	019279	HANDLE CAP	HC1
1	032524	HANDLE INSERT	HD1
1	023466	HANDLE STAMPED	HL1
8	025952	KNOB POINTER RED	K1-8
8	026402	KNOB POINTER BLK	K1-8
1	027288	LENS RED	LL1
8	021972	NUT 10-32 x 3/4 x 9/325	NT1-8
8	022004	NUT 8-32	NT9-16
2	069393	NUT 6-32 HEX EXT LOCK	NT17,18
4	026201	RUBBER GROMMET	G1-4
1	028055	REVERB PAN 3 SPRING	RP1
7	031172	SCREW 6.32 x 3/8 PHS SS	SC1-7
4	016188	SCREW WOOD OVAL HD 6 x 1	SC8-11
4	021366	SCREW SMAB 6 x 1 - 1/4	SC12-15
4	022236	SCREW M 8-32 x 3-1/4 OVH	SC16-19
4	026577	SCREW M 10-32 x 1 PHP BLK	SC20-23
2	410098	SCREW MA 4 x 3/8 PHPS BLX	SC24,25
4	022244	SCREW 10-32x 1-1/8 OVH	SC26-29
10	026571	SCREW CORNER MT.	SC30-39
2	026576	SCREW 8 x 5/8 TH BLK	SC40,41
4	026625	SCREW WOOD 8 x 1 FH	SC42-45
2	014999	SCREW M 6-32 x 1/4 PH BLK	SC46,47
7	017433	SCREW 6-32 x 3/8 PHP BLK	SC48-54
2	026314	SCREW 6 x 3/16 PH	SC55,56
8	026553	SCREW 8-32 x 3/8 PH PHS	SC57-64
4	030858	SCREW 8 x 5/8 PH NI	SC65-68
2	026479	SWITCH ROCKER (PWR/STBY)	SW1,2
1	018343	TRANSFORMER OUTPUT	T2
2	013341	VACUUM TUBE 7025/12AX7	V101,102
1	023531	VACUUM TUBE 12AT7	V103
2	023556	VACUUM TUBE 6L6GC	V104,105
1	026570	VINYL BLACK SQ. YD.	VB1
8	026564	WASHER FLAT .284 x .502	WW1-8
7	031153	WASHER FLAT FNSH 3/8 NI	WW9-15
1	028895	CABLE ASS'Y FTSW RT ANG	CB3
1	028109	HSG END CUP LEFT FTSW	EC1

FENDER VACUUM TUBE 60 SERIES AMPLIFIERS

PARTS LIST PAGE 6 OF 7

MISCELLANEOUS (CONTINUED):

QTY	PART #	DESCRIPTION	REFERENCE DESIGNATION
1	028143	HSG END CUP RIGHT FTSW	EC2
1	028891	HSG FTSW 1 BUTTON	EC3
1	028781	PCB ASS'Y FTSW 1 BUTTON	PCBD
1	028893	PLATE TOP FTSW 1 BUTTON	TP1
8	028889	SCREW SMB 6 x 1/4 PHP	SC68-75
2	028501	WASHER FLAT NKL	WW16,17
1	006260	DIODE 1N4448 SIGNAL	D110
1	025929	JACK PHONE PCB MONO	J106
1	028039	LED 5 x 5mm RED	LD2
1	028714	LED SPACER	LES1
1	028780	PCB FAB FTSW 1 BUTTON	PCF
1	028714	SWITCH PUSH SPDT	SW5
1	028820	CABINET BLACK	CT1 (SUPER 60)
1	031173	CABINET RED	CT1 (SUPER 60)
1	031174	CABINET GRAY	CT1 (SUPER 60)
1	031175	CABINET WHITE	CT1 (SUPER 60)
1	031176	CABINET SNAKE	CT1 (SUPER 60)
1	029992	CABINET BLACK	CT1 (S60 HEAD)
1	029994	CABINET RED	CT1 (S60 HEAD)
1	029995	CABINET GRAY	CT1 (S60 HEAD)
1	029996	CABINET WHITE	CT1 (S60 HEAD)
1	029997	CABINET SNAKE	CT1 (S60 HEAD)
1	026767	CABLE ASS'Y PWR 220/240V	CB1
1	031911	CABLE ASS'Y FAN	CF1 (S60 RACK)
1	029896	COOLING FAN 115V	FN1 (S60 RACK)
2	029837	CHASSIS COVER	VC1,2 (S60 RACK)
1	029839	CHASSIS BACK	BK1 (S60 RACK)
2	029840	RACK EAR	ER1,2 (S60 RACK)
1	031833	SHIELD	DS1 (S60 RACK)
1	031202	CHASSIS ASS'Y 100V	HS1 (SUPER 60)
1	028924	CHASSIS ASS'Y 120V	HS1 (SUPER 60)
1	031200	CHASSIS ASS'Y 220/240V	HS1 (SUPER 60)
1	031209	CHASSIS ASS'Y 100V	HS1 (S60 HEAD)
1	031207	CHASSIS ASS'Y 120V	HS1 (S60 HEAD)
1	031208	CHASSIS ASS'Y 220/240V	HS1 (S60 HEAD)
1	031216	CHASSIS ASS'Y 100V	HS1 (S60 RACK)
1	029844	CHASSIS ASS'Y 120V	HS1 (S60 RACK)
1	031215	CHASSIS ASS'Y 220/240V	HS1 (S60 RACK)
1	028922	GRILLE ASS'Y GRAY	GL1 (SUPER 60)
1	031178	GRILLE ASS'Y BLACK	GL1 (SUPER 60)
1	029993	GRILLE ASS'Y GRAY	GL1 (S60 HEAD)
1	029998	GRILLE ASS'Y BLACK	GL1 (S60 HEAD)
1	029832	LABEL REAR 100V	RL1 (SUPER 60)

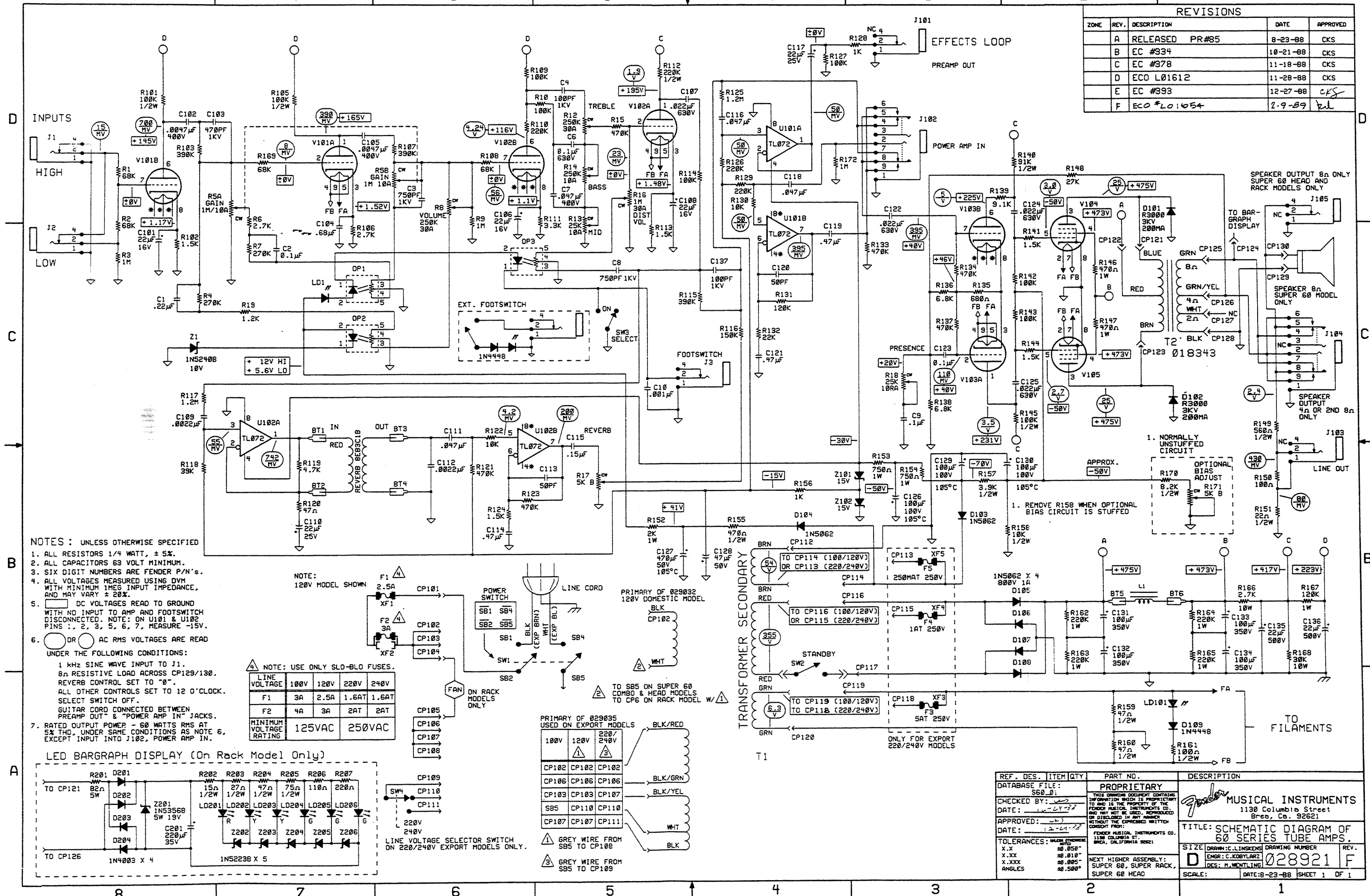
FENDER VACUUM TUBE 60 SERIES AMPLIFIERS

PARTS LIST PAGE 7 OF 7

MISCELLANEOUS (CONTINUED):

QTY	PART #	DESCRIPTION	REFERENCE DESIGNATION
1	028935	LABEL REAR 120V	RL1 (SUPER 60)
1	029831	LABEL REAR 220/240V	RL1 (SUPER 60)
1	031160	LABEL REAR 100V	RL1 (S60 HEAD)
1	031159	LABEL REAR 120V	RL1 (S60 HEAD)
1	031162	LABEL REAR 220/240V	RL1 (S60 HEAD)
1	032022	LABEL REAR 100V	RL1 (S60 RACK)
1	031974	LABEL REAR 120V	RL1 (S60 RACK)
1	031976	LABEL REAR 220/240V	RL1 (S60 RACK)
1	029061	NAMEPLATE	NP1 (SUPER 60 & HEAD)
1	028929	OWNERS MANUAL	OM1
1	028917	PANEL FRONT	FP1 (SUPER 60 & HEAD)
1	028931	SCHEMATIC DIAGRAM	SD1
1	026488	SPEAKER 12"	SP1 (SUPER 60)
1	031155	TUBE PLACEMENT CHART	TL1
1	013736	WARRANTY SHEET	WY1
1	028925	WIRE SET CHASS	WS1 (SUPER 60)
1	031210	WIRE SET CHASS	WS1 (S60 HEAD)
1	031217	WIRE SET CHASS	WS1 (S60 RACK)
1	029032	XFMR PWR 120V	T1
1	029035	XFMR PWR EXPORT	T1

REVISIONS				
ZONE	REV.	DESCRIPTION	DATE	APPROVED
A	RELEASED	PR#35	8-23-88	CKS
B	EC #334		10-21-88	CKS
C	EC #378		11-18-88	CKS
D	ECO L01612		11-28-88	CKS
E	EC #393		12-27-88	CKS
F	ECO #L01054		2-9-89	ckl



- NOTES: UNLESS OTHERWISE SPECIFIED
1. ALL RESISTORS 1/4 WATT, ± 5%.
 2. ALL CAPACITORS 63 VOLT MINIMUM.
 3. SIX DIGIT NUMBERS ARE FENDER P/N's.
 4. ALL VOLTAGES MEASURED USING DVM WITH MINIMUM 1MEG INPUT IMPEDANCE, AND MAY VARY ± 20%.
 5. DC VOLTAGES READ TO GROUND WITH NO INPUT TO AMP AND FOOTSWITCH DISCONNECTED. NOTE: ON U101 & U102, PINS 1, 2, 3, 5, 6, 7, MEASURE -15V.
 6. OR AC RMS VOLTAGES ARE READ UNDER THE FOLLOWING CONDITIONS:
1 kHz SINE WAVE INPUT TO J1.
8Ω RESISTIVE LOAD ACROSS CP129/130.
REVERB CONTROL SET TO "0".
ALL OTHER CONTROLS SET TO 12 O'CLOCK.
SELECT SWITCH OFF.
GUITAR CORD CONNECTED BETWEEN PREAMP OUT & "POWER AMP IN" JACKS.
 7. RATED OUTPUT POWER - 60 WATTS RMS AT 5% THD, UNDER SAME CONDITIONS AS NOTE 6, EXCEPT INPUT INTO J102, POWER AMP IN.

NOTE: USE ONLY SLO-BLO FUSES.

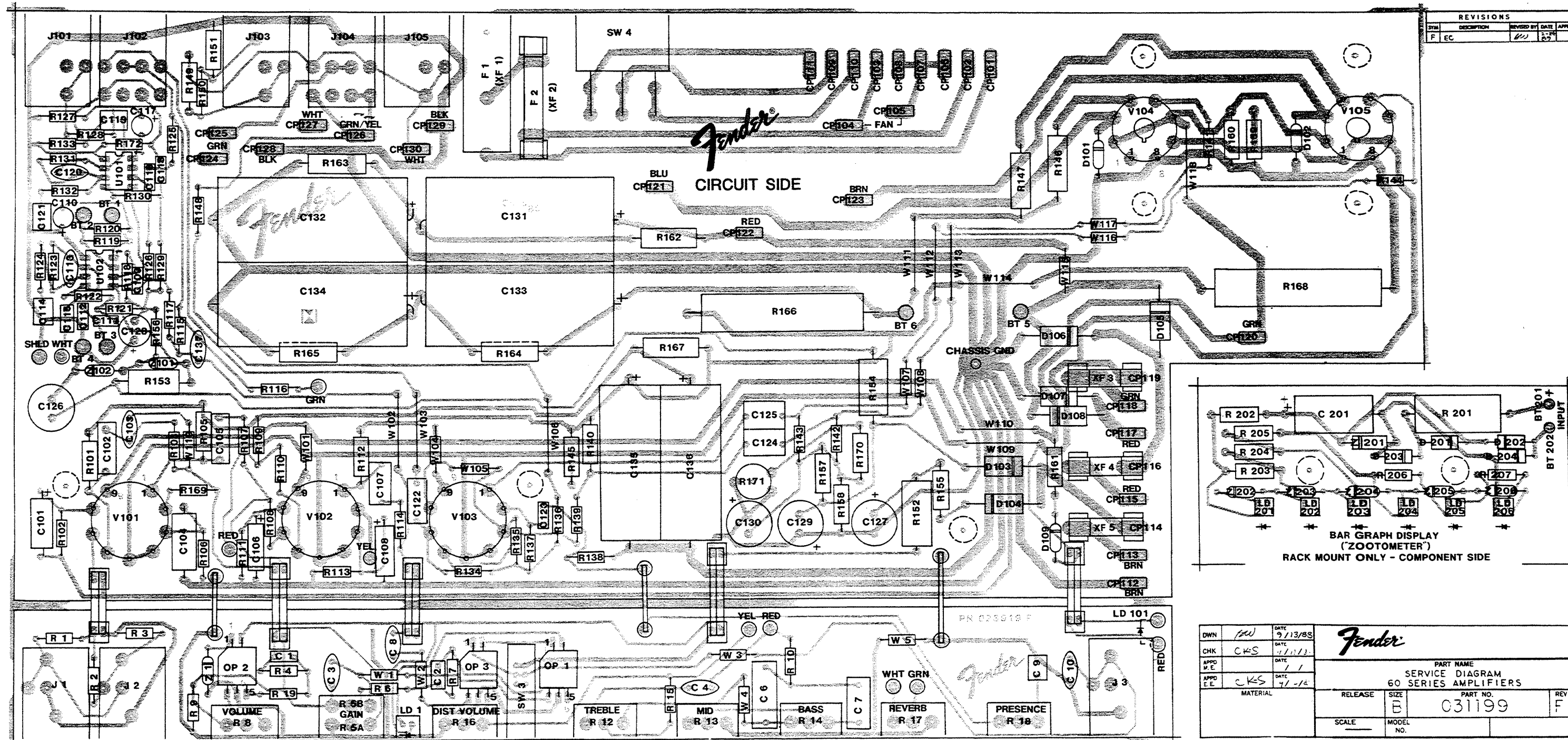
LINE VOLTAGE	100V	120V	220V	240V
F1	3A	2.5A	1.6AT	1.6AT
F2	4A	3A	2AT	2AT
MINIMUM VOLTAGE RATING	125VAC	250VAC		

PRIMARY OF 029035 USED ON EXPORT MODELS

100V	120V	220/240V
CP102	CP102	CP102
CP106	CP106	CP106
CP103	CP103	CP107
SB5	CP110	CP110
CP107	CP107	CP111

▲ GREY WIRE FROM SB5 TO CP108
▲ GREY WIRE FROM SB5 TO CP109

REF. DES.	ITEM QTY	PART NO.	DESCRIPTION
DATABASE FILE: S60_01			
CHECKED BY: [Signature]			
DATE: 12-21-88			
APPROVED: [Signature]			
DATE: 12-21-88			
TOLERANCES: UNLESS OTHERWISE SPECIFIED			
X.X		± 0.05"	
X.XX		± 0.01"	
X.XXX		± 0.005"	
ANGLES		± 0.500°	
MUSICAL INSTRUMENTS		1130 Columbia Street Brea, Ca. 92621	
TITLE: SCHEMATIC DIAGRAM OF 60 SERIES TUBE AMPS.			
SIZE	DRAWN: C. LINSKENS	DRAWING NUMBER	REV.
D	ENGR: C. KOBYLARZ	028921	F
SCALE:	DATE: 8-23-88	SHEET 1 OF 1	



REVISIONS				
REV	DESCRIPTION	REVISED BY	DATE	APP'D
F	EC			

DWN	CKS	DATE	9/13/88	
CHK	CKS	DATE	7/1/88	
APP'D		DATE	7/1	
APP'D	CKS	DATE	7/1/88	
MATERIAL				PART NAME SERVICE DIAGRAM 60 SERIES AMPLIFIERS
RELEASE		SIZE	E	PART NO.
SCALE		MODEL		031199
				REV
				F