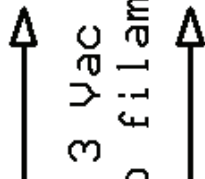


standby



P-110-63
(converted
gnd switch)

34/5AR4

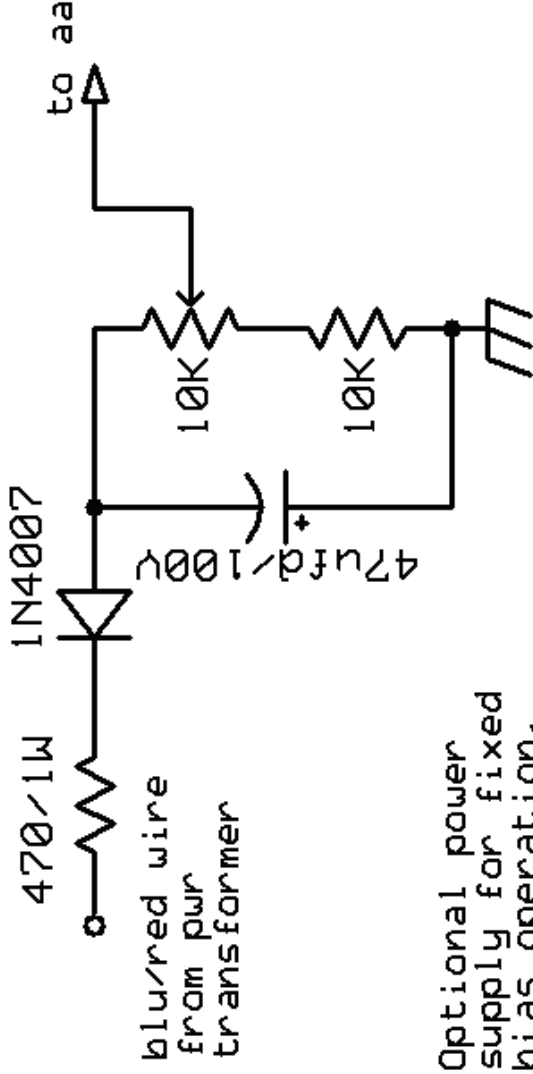


3 Vac

filaments

00
25

this is built on a separate terminal strip



blurred wire
from pwr
transformer

Optional power
supply for fixed
bias operation.

Notes:

1. values
2. part nu
3. unless
4. ground
5. R24, Sw
6. The blu
7. * compo
8. + compo

R.W. HU