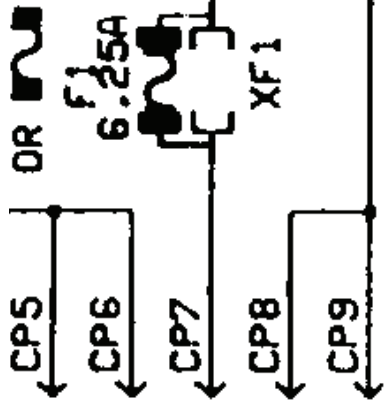


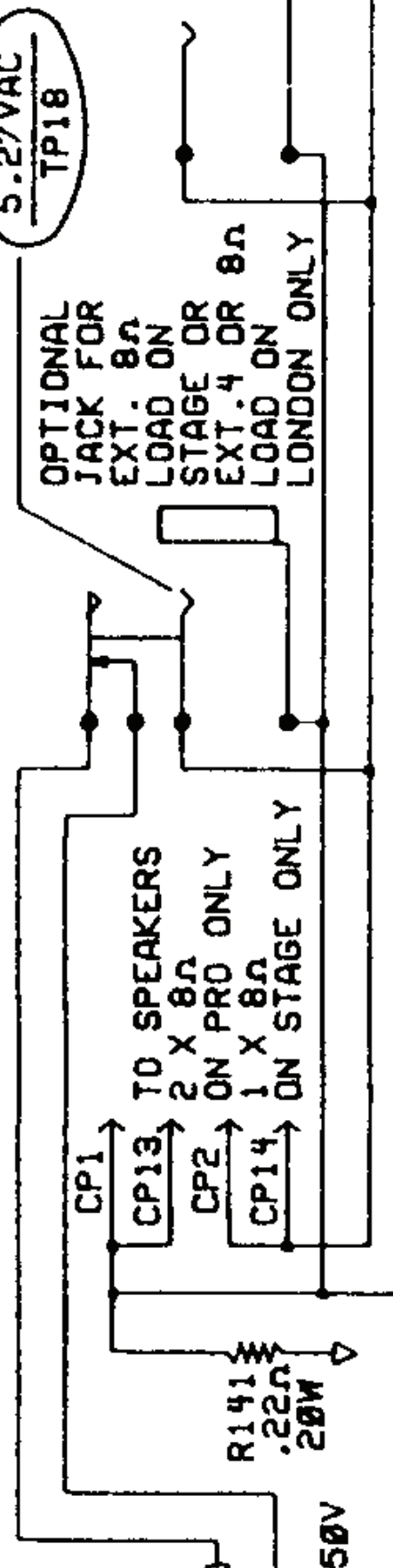
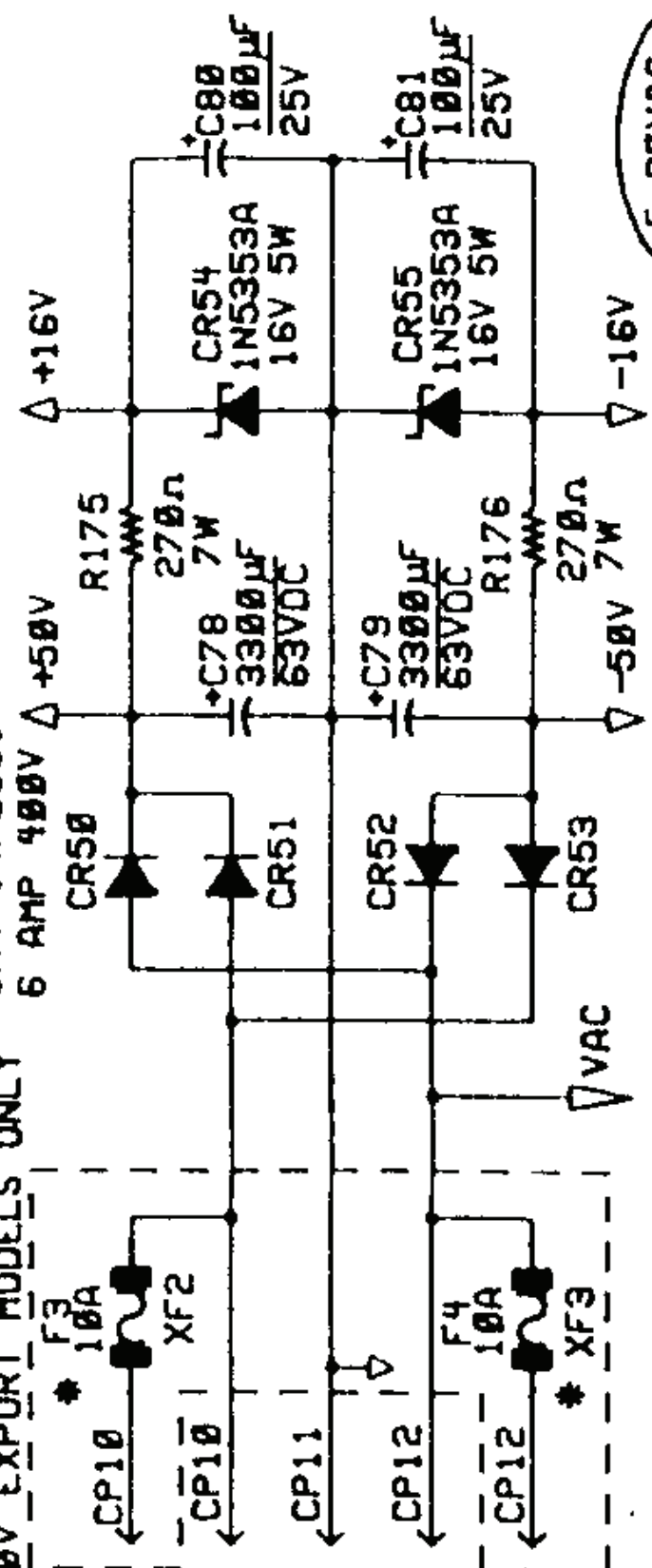
CPS
 CP6
 CP7
 CP8
 CP9
 CP10
 CP10
 CP11
 CP12
 CP12
 CP12



F
 EC
 #338

9-12-88
 MMJ

220/240V EXPORT MODELS ONLY
 6A4 (4PLCS)
 6 AMP 400V



OUTPUT TESTS
 160WATTS RMS
 AT 5% THD 1K
 INTO 4 OHMS
 105WATTS RMS
 AT 5% THD 1K
 INTO 8 OHMS

OPTIONAL JACK FOR LOAD ON LONDON ONLY
 EXT. 8 OHMS
 STAGE OR 8 OHMS
 EXT. 4 OR 8 OHMS
 LOAD ON LONDON ONLY

5.27VAC TP18