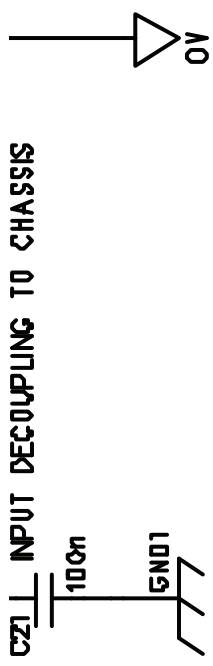


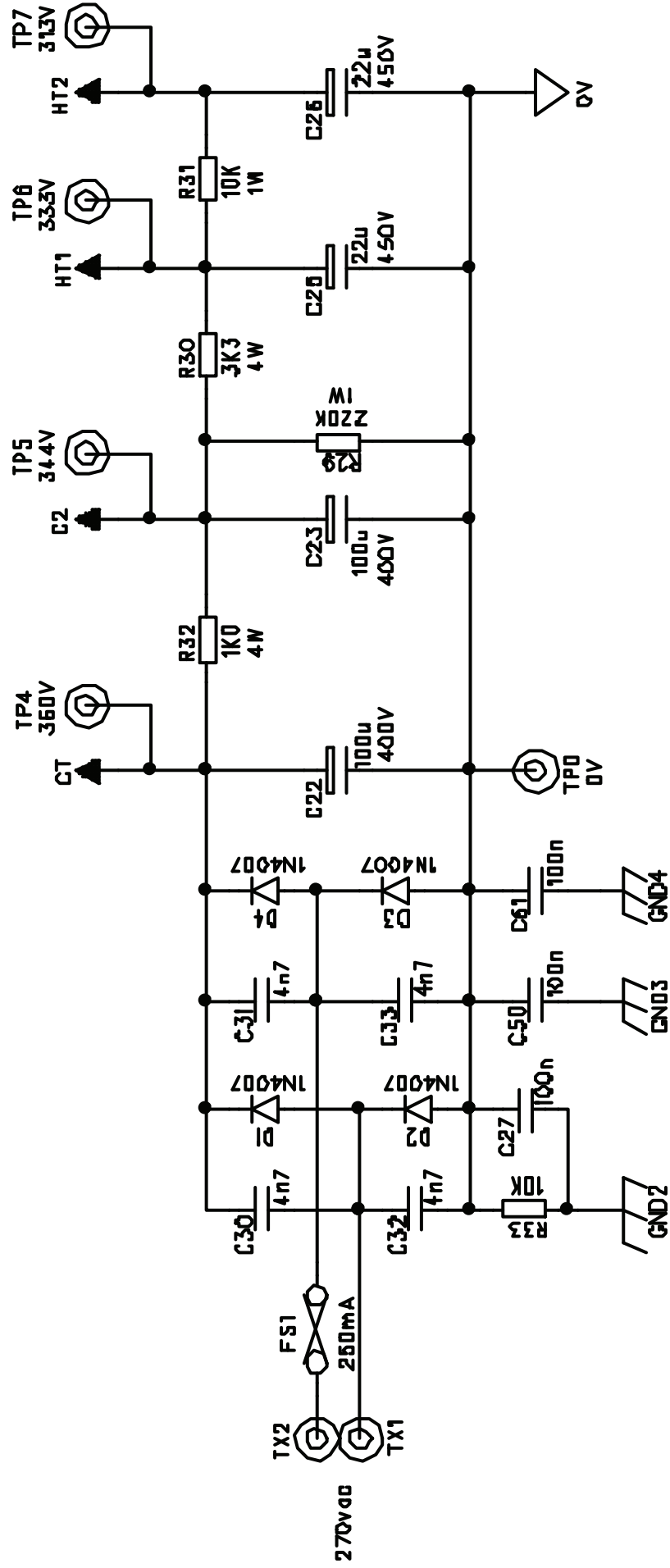
C21 INPUT DECOUPLING TO CHASSIS



VOLUME & BRIGHT

TONE

REVERB_OUT



VALVE SECTIONS, SUPPLIES & BIASING
 GIBSON 'GOLD TONE' GA-13RV
 CD00082
 19 MARCH 1999
 PAUL STEVENS

TRACE ELLIOT LTD
 BLACKWATER TRADING ESTATE
 MALDON ESSEX CM8 4BD
 GREAT BRITAIN
 TEL (01621) 851851
 FAX (01621) 861976

ALL VOLTAGES ARE SHOWN AT QUIESCENT AND SWITCH
 ALL VOLTAGES ARE DC AND REFERENCED TO TPO EXCEPT WH

SHEET 1/2