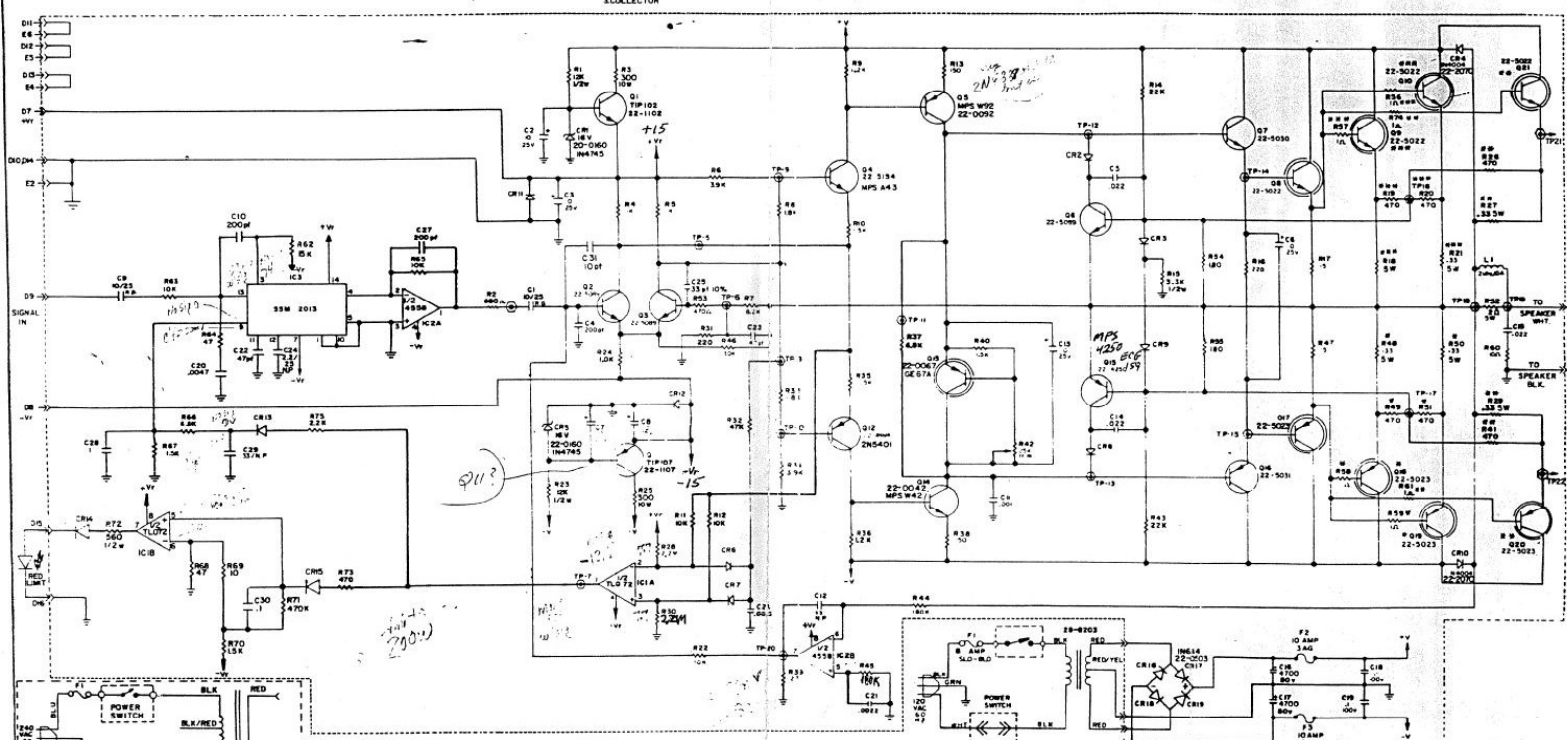


SNM43 = GE67A C RATE COLLECTOR



UNLESS OTHERWISE NOTED:

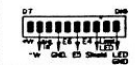
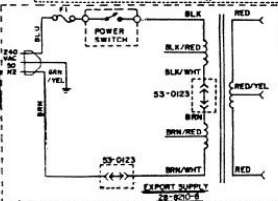
1. All Resistors are 1/4 watt 5%, unless so shown.
2. All Capacitor values are given in microfarads unless otherwise noted.
3. All Diodes are 1N4148.

NOTES:

1. BIAS SETTING:

Turn BIAS Pot fully CCW. Connect a 4 ohm load across the output, input a 100mV sine wave and set output to 1/2 of rated power (117 watts at 4ohms + 2dB RMS) after 30 seconds, disconnect input and load and set BIAS pot to an indication of 10 milliamps across TP21 and TP22.

2. Components marked with (TP) are located on Output Module 1.
3. Components marked with (ZP) are located on Output Module 2.
4. Components marked with (SOP) are located on Output Module 3.



SX6350 & SX8350

SUNNO	
SCHEMATIC, REV. A	
POWER AMPLIFIER	
FULL D	
DO NOT SCALE DRAWING	

PRODUCT OF
MUSICAL INSTRUMENTS
BREA, CALIFORNIA
MADE IN THE U.S.A.