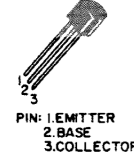
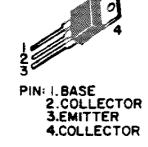


TRANSISTOR PRODUCTS

MPS A43  
2N5089  
2N5401  
2N4888  
2N4250  
MPS W42  
MPS W92  
SK9143 or GE67A



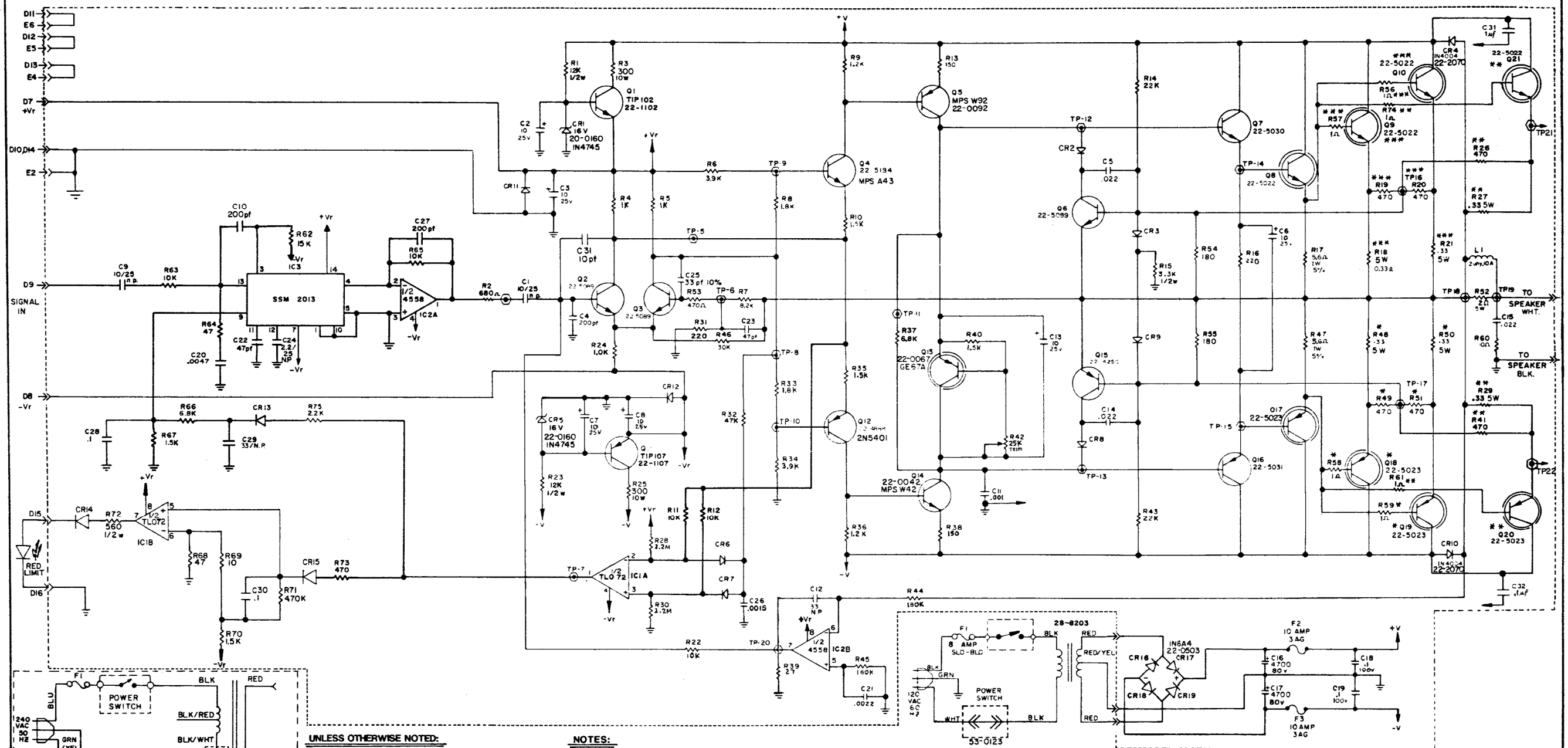
TIP 102  
TIP 107  
MJE 15030  
MJE 15031



MJ 15022  
MJ 15023



LTR	DESCRIPTION	DATE	APPROVED
A	ADD S-11 A-C	9/18/86	Special K
B	ADD C31 & C32 TO L0103A	12/1/86	SpK

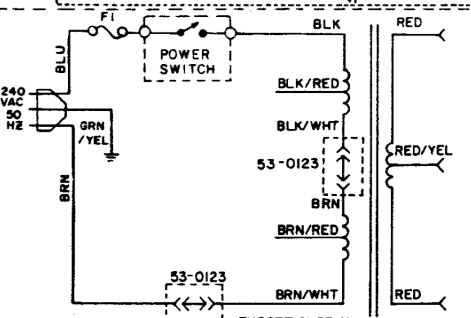


**UNLESS OTHERWISE NOTED:**

- All Resistors are 1/4 watt 5%, values in ohms.
- All Capacitor values are given in microfarads/voltage.
- All Diodes are IN4148.

**NOTES:**

- BIAS SETTING:**  
Turn BIAS Pot fully CCW. Adjust bias voltage pot for 350mV ±0.20mV either resistor R17 or R47 after one minute of warm up. From a cold start.
- Components marked with (1)\* are located on Output Module 1.
- Components marked with (2)\* are located on Output Module 2.



SX6350 & SX8350

**sunno**

**SCHMATIC, REV. B**

**POWER AMPLIFIER**

DATE: 9/17/85

SCALE: FULL SIZE

DRAWING NO: 32-2220

PRODUCT OF: **Fender** MUSICAL INSTRUMENTS