

6

5

4

3

2

1

D

D

C

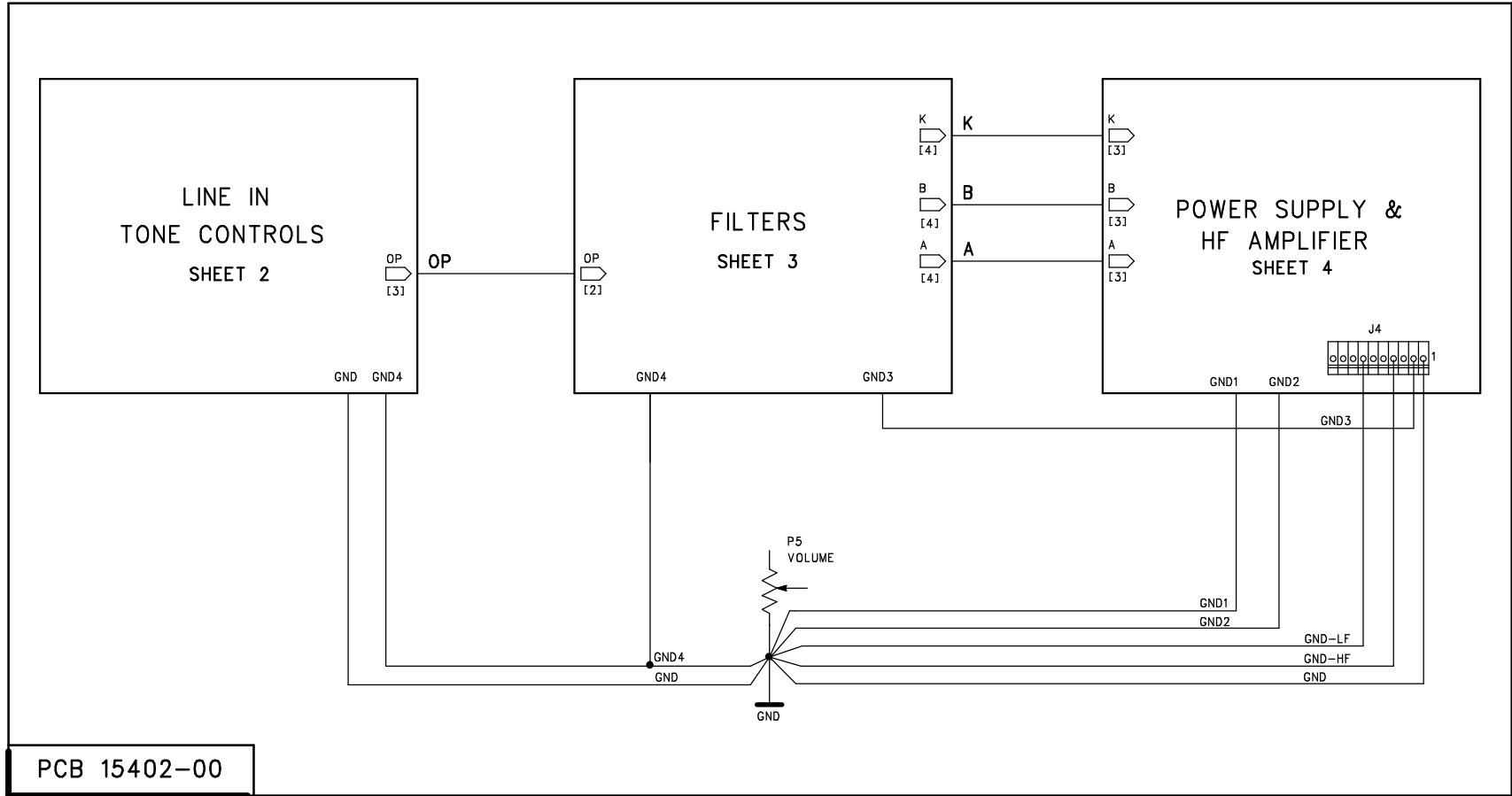
C

B

B

A

A



PCB 15402-00

[-] SHOW OFF-PAGE SHEET NUMBER

| | | | | |
|------------------|--------------------|--|-----------------------|-----------------|
| DRAWING: | DATED: 02-10-01 | COMPANY: F.B.T. Elettronica Spa | | |
| CHECKED: | DATED: | TITLE: CONNECTIONS DIAGRAM MAXX 6A | | |
| QUALITY CONTROL: | DATED: | DRAWING CODE: SXXXXXXXX-XX | PCB CODE: 15402-00 | SHEET 1 of 4 |
| RELEASED: | DATED: | | | |

6

5

4

3

2

1

D

D

C

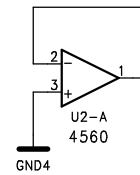
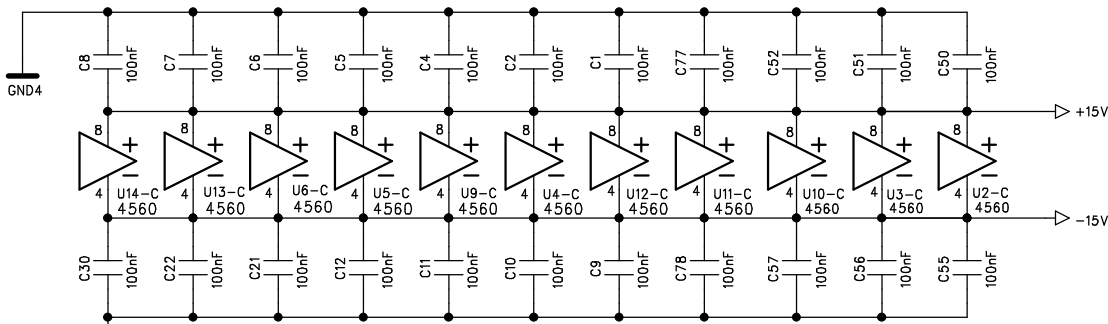
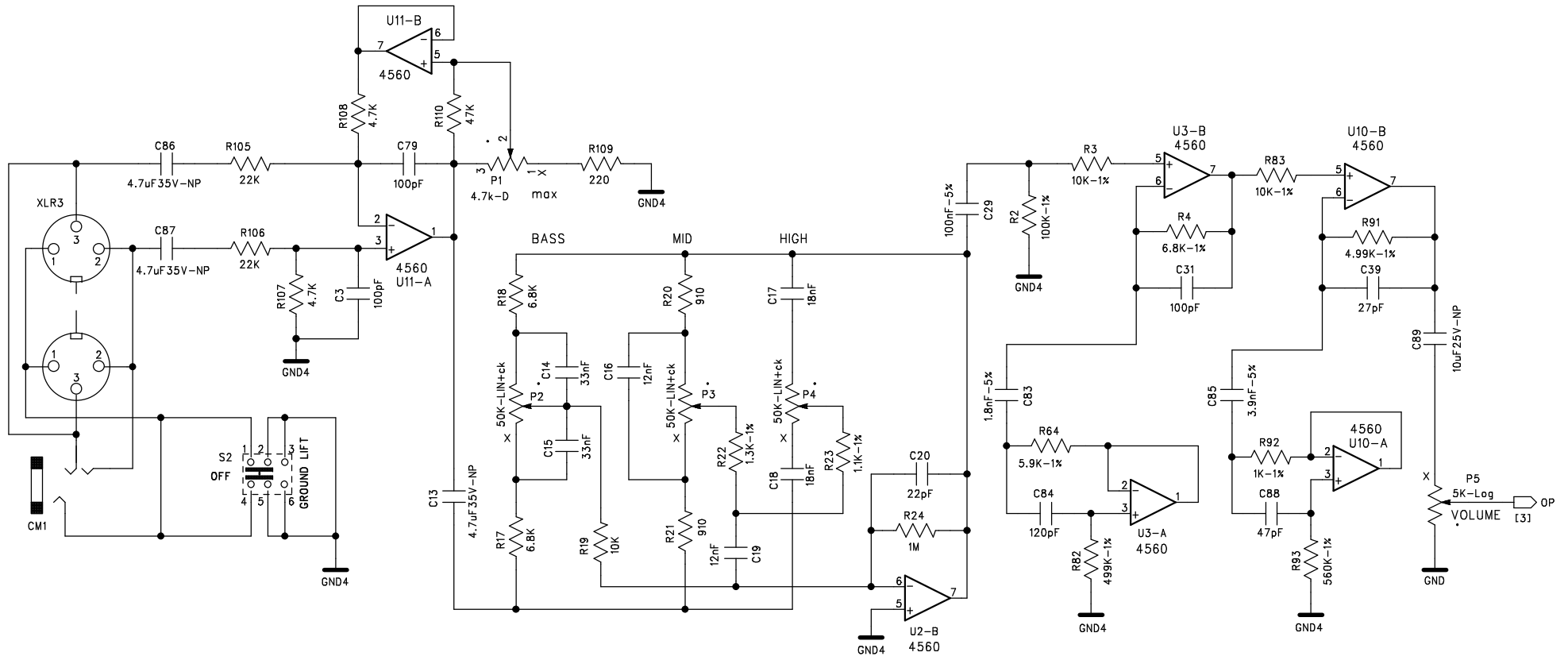
C

B

B

A

A



[-] SHOW OFF-PAGE SHEET NUMBER

| | | | | |
|------------------|--------------------|---|-----------------------|-----------------|
| DRAWING: | DATED: 02-10-01 | COMPANY: F.B.T. Electronica Spa | | |
| CHECKED: | DATED: | TITLE: LINE IN TONE CONTROLS MAXX 6A | | |
| QUALITY CONTROL: | DATED: | DRAWING CODE: SXXXXXXXX-XX | PCB CODE: 15402-00 | SHEET 2 of 4 |
| RELEASED: | DATED: | | | |

6

5

4

3

2

1

D

D

C

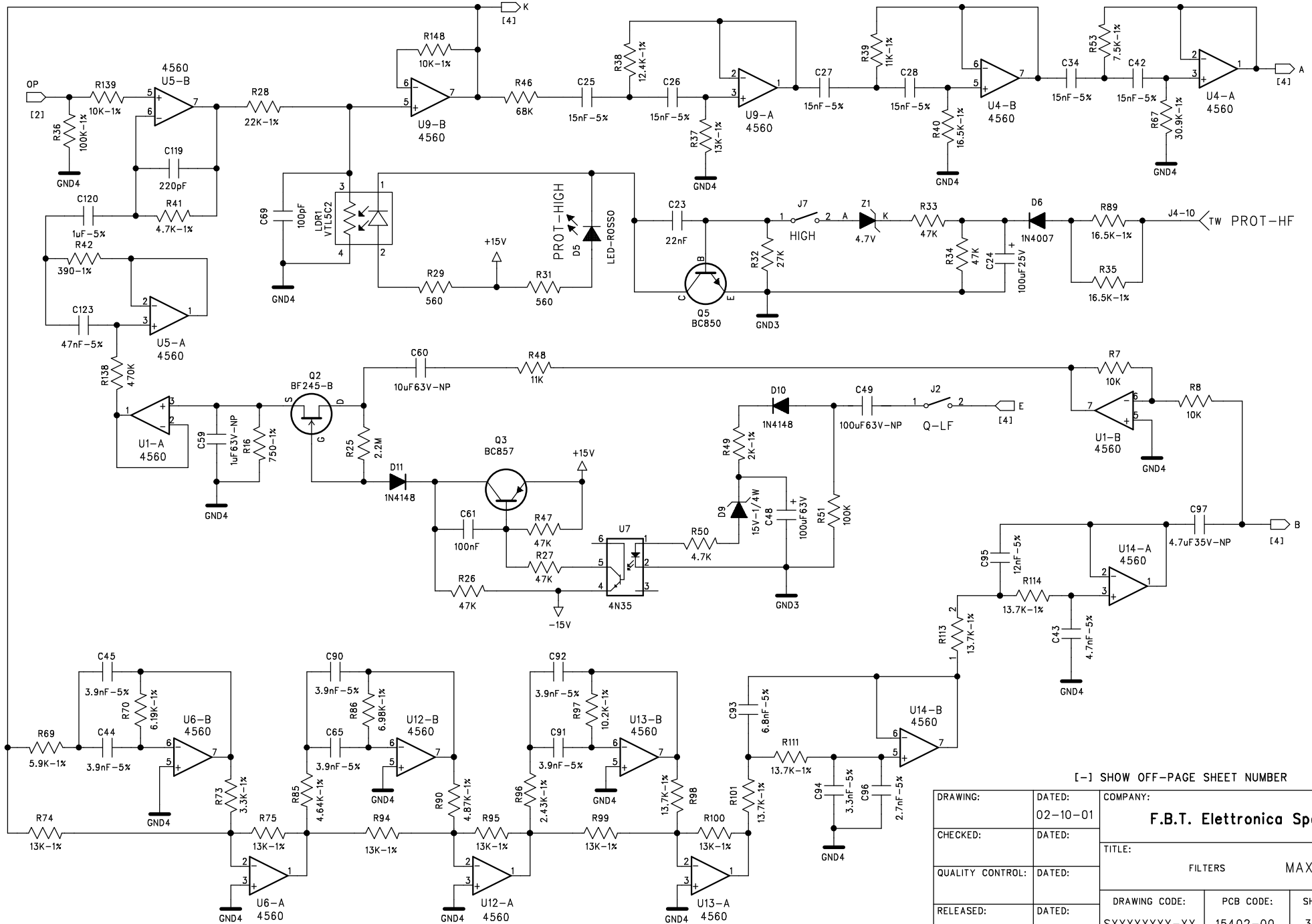
C

B

B

A

A



[-] SHOW OFF-PAGE SHEET NUMBER

| | | | | |
|------------------|--------|-------------------------------|-----------|---------|
| DRAWING: | DATED: | COMPANY: | | |
| CHECKED: | DATED: | F.B.T. Electronica Spa | | |
| QUALITY CONTROL: | DATED: | FILTERS | | MAXX 6A |
| RELEASED: | DATED: | DRAWING CODE: | PCB CODE: | SHEET |
| | | SXXXXXXXX-XX | 15402-00 | 3 of 4 |

6 5 4 3 2 1

D

C

B

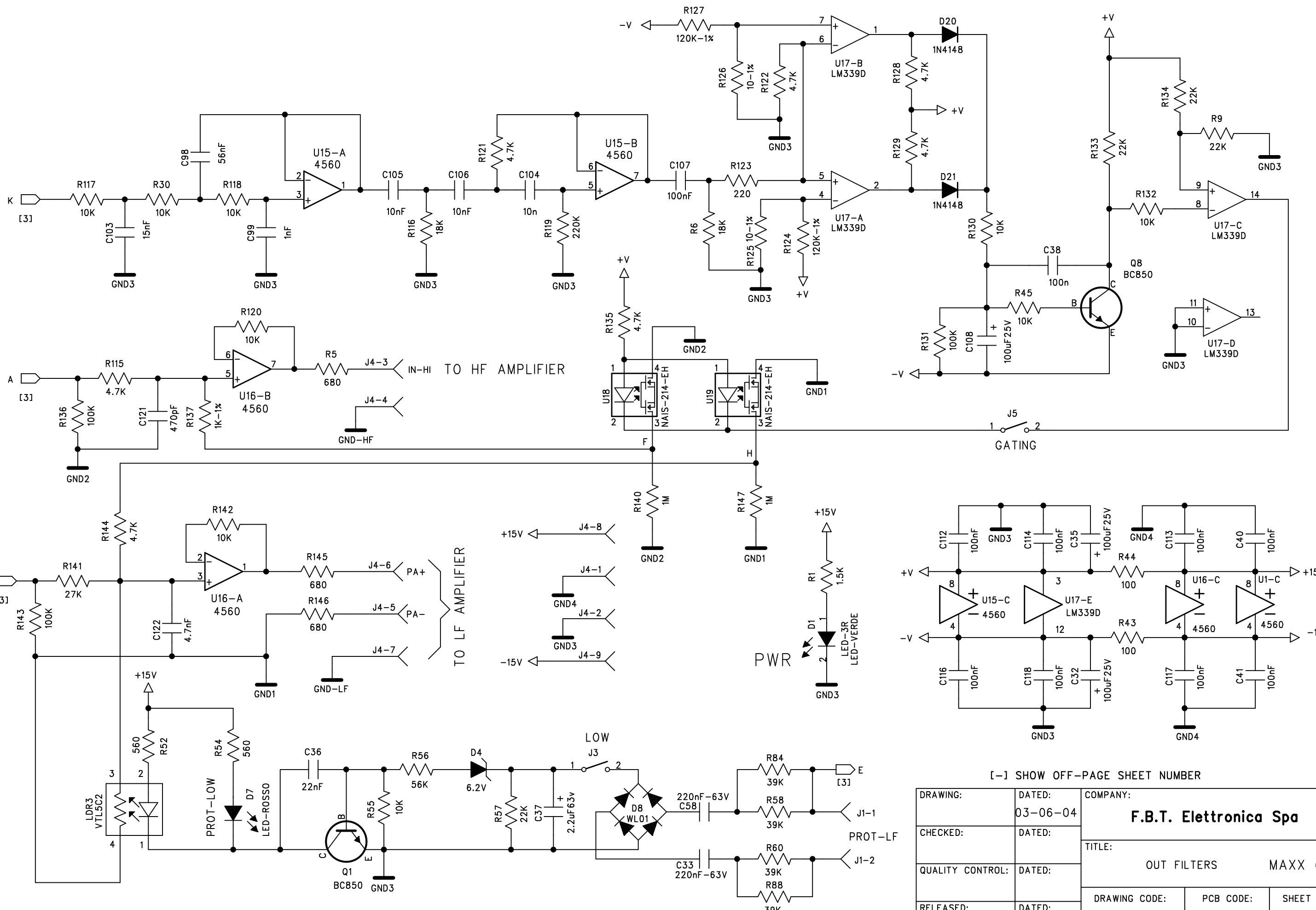
A

D

C

B

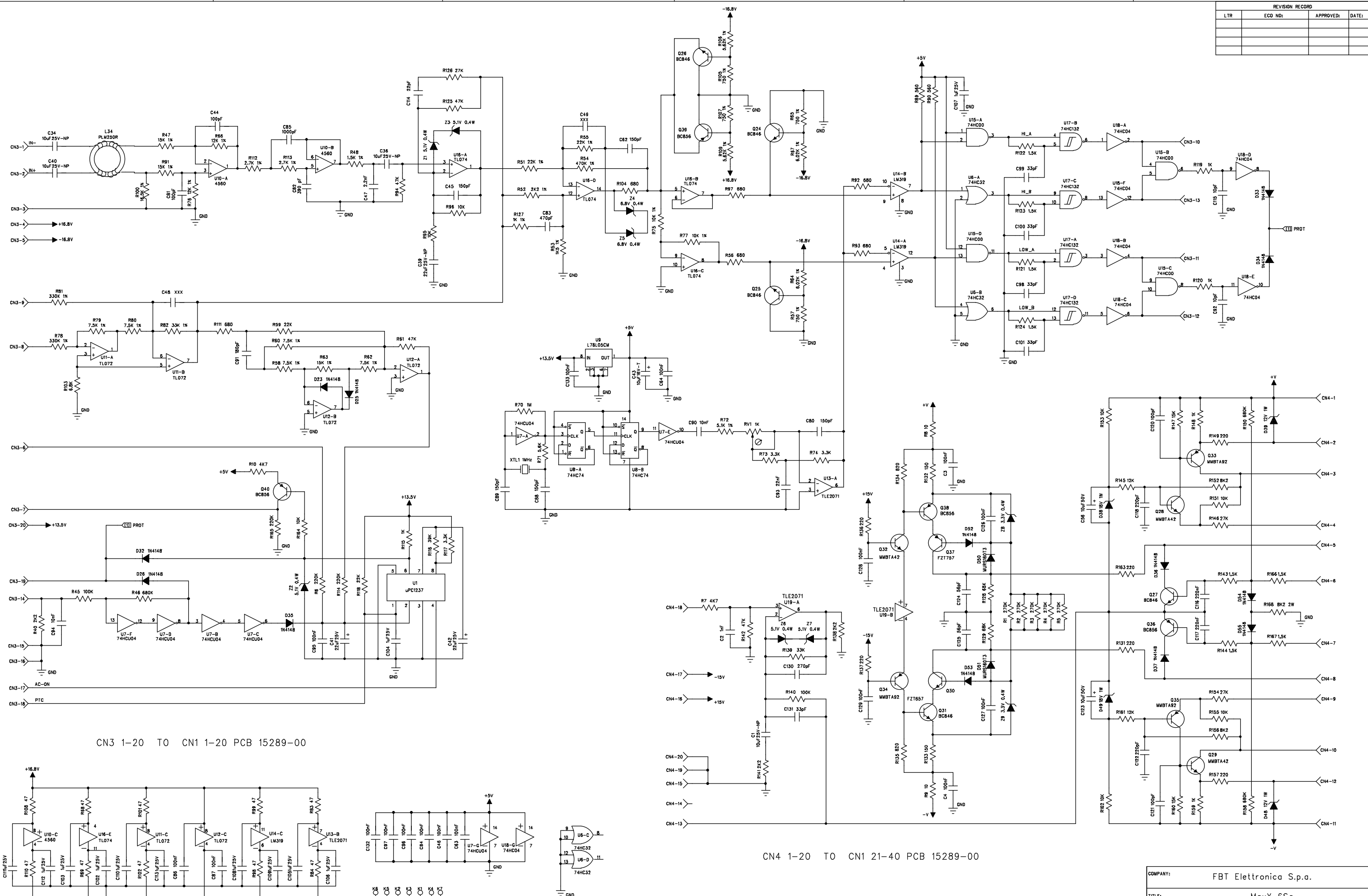
A



[-] SHOW OFF-PAGE SHEET NUMBER

| | | | | |
|------------------|----------|-------------------------------|-----------|--------|
| DRAWING: | DATED: | COMPANY: | | |
| | 03-06-04 | F.B.T. Elettronica Spa | | |
| CHECKED: | DATED: | TITLE: | | |
| | | OUT FILTERS MAXX 6A | | |
| QUALITY CONTROL: | DATED: | DRAWING CODE: | PCB CODE: | SHEET |
| RELEASED: | DATED: | SXXXXXXXX-XX | 15402-00 | 4 of 4 |

| REVISION RECORD | | | |
|-----------------|----------|-----------|-------|
| LTR | ECCO NO: | APPROVED: | DATE: |
| | | | |
| | | | |
| | | | |

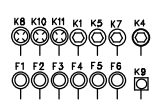
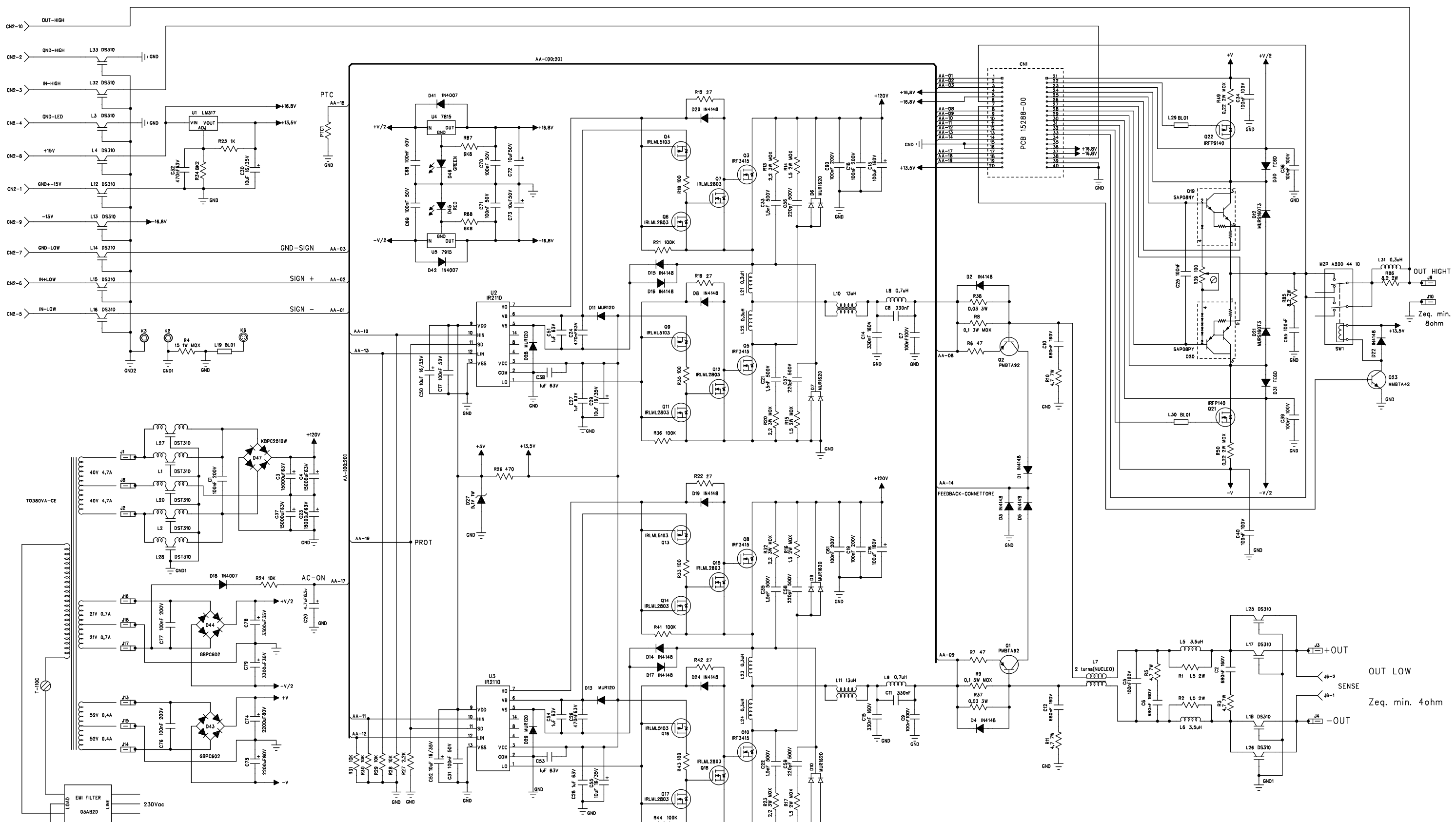


CN3 1-20 TO CN1 1-20 PCB 15289-00

CN4 1-20 TO CN1 21-40 PCB 15289-00

| | | | |
|--|---------------|-----------------------|------|
| COMPANY: FBT Electronica S.p.a. | | | |
| TITLE: MaxX 6Sa Pre-amplifier Power Unit Low-High | | | |
| PCB NAME: 15288-00 | SIZE: | DRAWING: 15288-00.SCH | REV: |
| SCALE: | SHEET: 1 OF 1 | | |

| | |
|------------------|--------|
| DRAWN: 27/07/01 | DATED: |
| CHECKED: | DATED: |
| QUALITY CONTROL: | DATED: |
| RELEASED: | DATED: |



| | | | | | |
|------------------|-------------------|-----------------------------|-------|--------------|------|
| COMPANY: | | F.B.T. Elettronica S.p.a. | | | |
| TITLE: | | MaxX 6Sa Power Amplifier | | | |
| DRAWN: | DATED: | PCB NAME | SIZE: | DRAWING NO: | REV: |
| CHECKED: | DATED: 01-08-2002 | 15289-00 | | 15289-01.SCH | |
| QUALITY CONTROL: | DATED: 05-03-2004 | | | | |
| RELEASED: | DATED: | | | | |
| SCALE: | | SHEET: 1 OF 1 | | | |

OUT LOW
SENSE
Zeq. min. 4ohm

OUT HIGHT
Zeq. min. 8ohm