

PIN NUMBERS ON IFCN1 CONNECTOR. REPEATED FOR OTHER BLOCKS OF 4 CHANNELS

PRE AMP & EQ

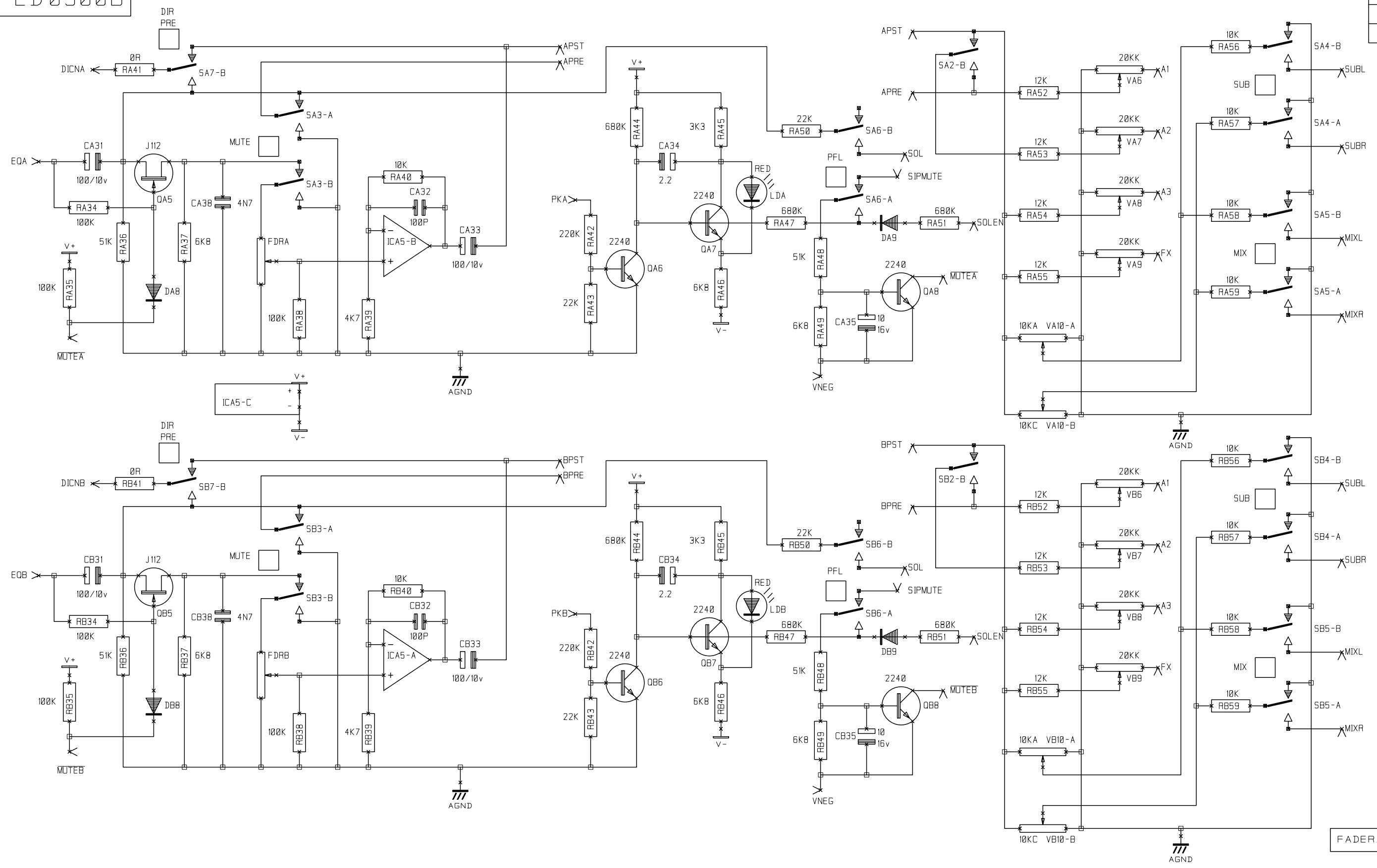
NOTES

NOTES

DRN. GHB

TITLE SPIRIT FX16 Mk.2 MONO INPUT
DRG NO. ED 0500A

INITIAL	ISSUE	DATE
GB	01A	02-11-06
PT	02A	13-03-06



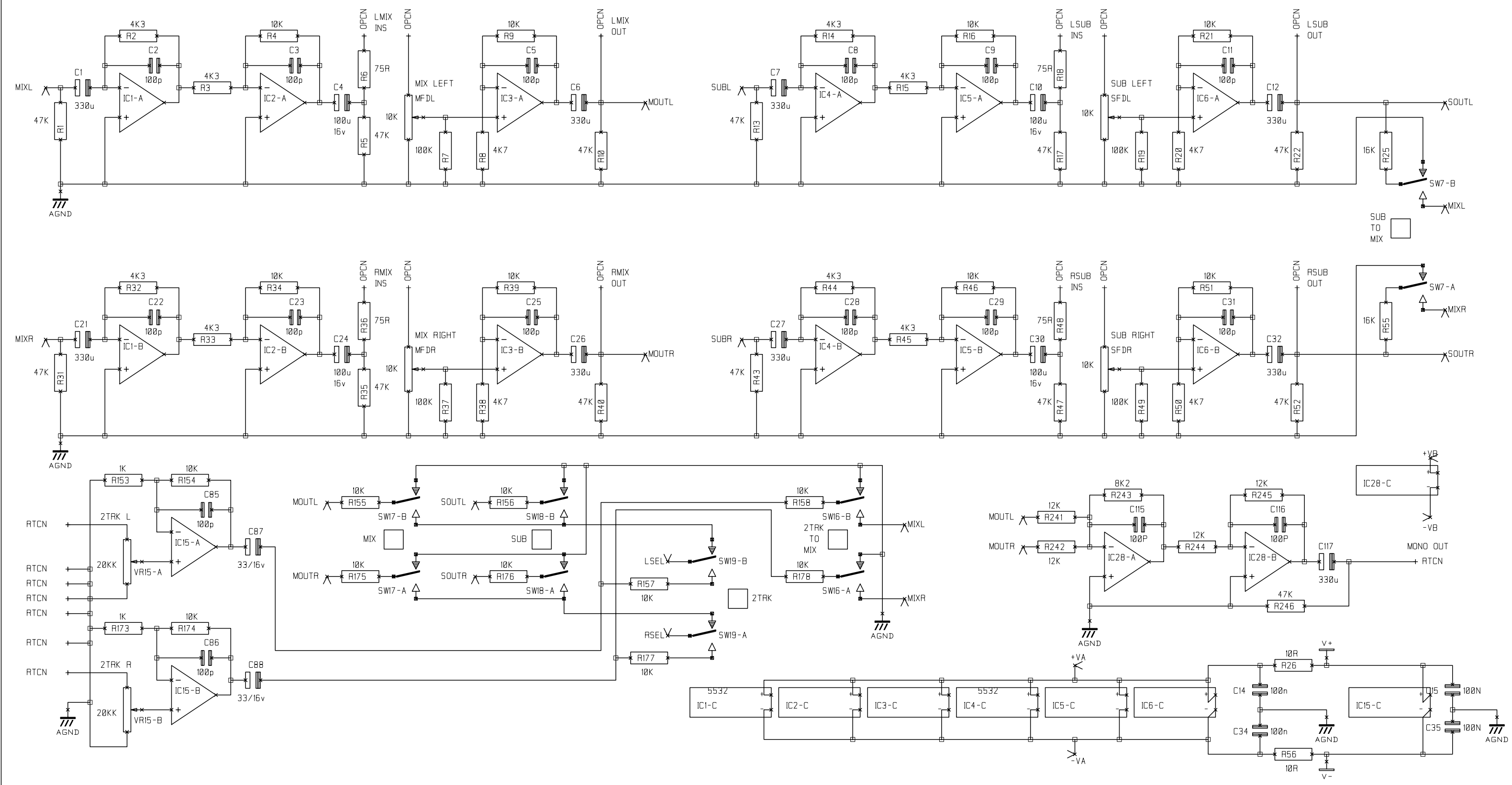
NOTES RA, RB37 (100K) NOW 6K8
ADDED CA, CB38 = 4N7

DRN. GHB

TITLE SPIRIT FX16 Mk.2
MONO INPUT

DRG NO. ED 0500B

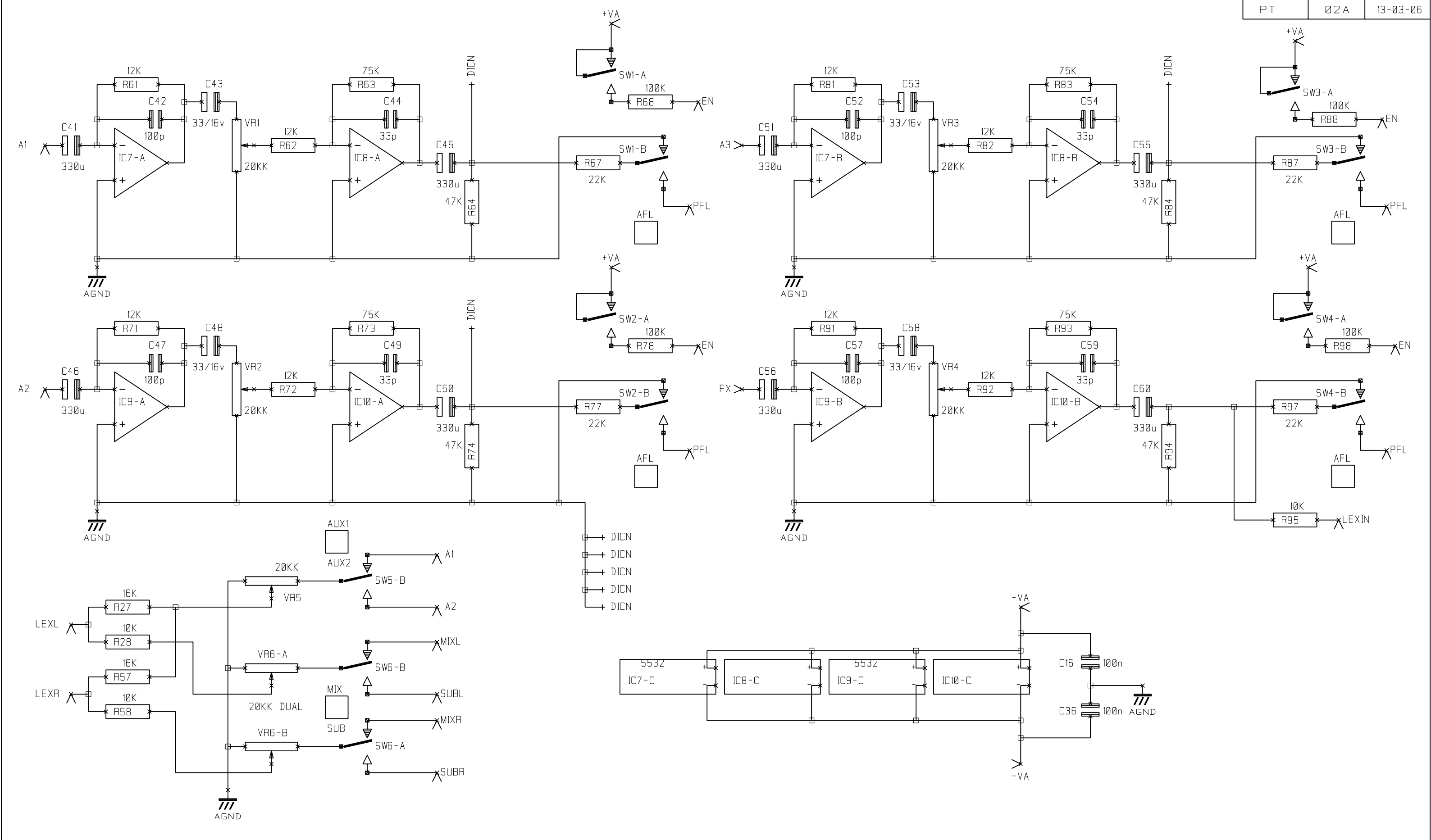
INITIAL	ISSUE	DATE
GB	01A	03-11-06
PT	02A	13-03-06



NOTES

DRN.	GHB	TITLE	SPIRIT FX16 Mk.2 MASTER 1
		DRG NO.	ED0500C

INITIAL	ISSUE	DATE
GB	01A	03-11-06
PT	02A	13-03-06

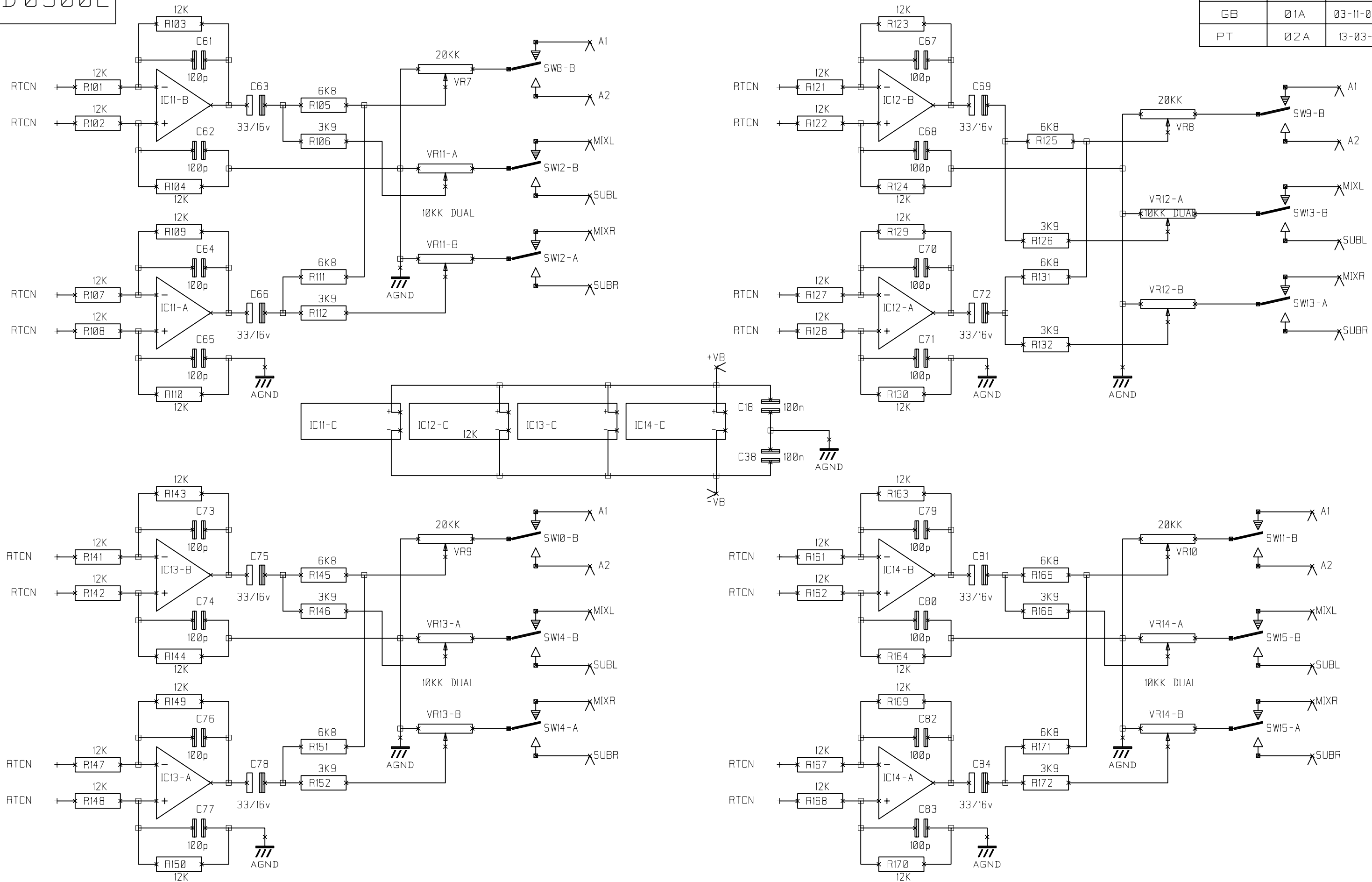


NOTES

DRN. GHB

TITLE SPIRIT FX16 Mk.2
MASTER 2
DRG NO. ED0500D

INITIAL	ISSUE	DATE
GB	01A	03-11-06
PT	02A	13-03-06



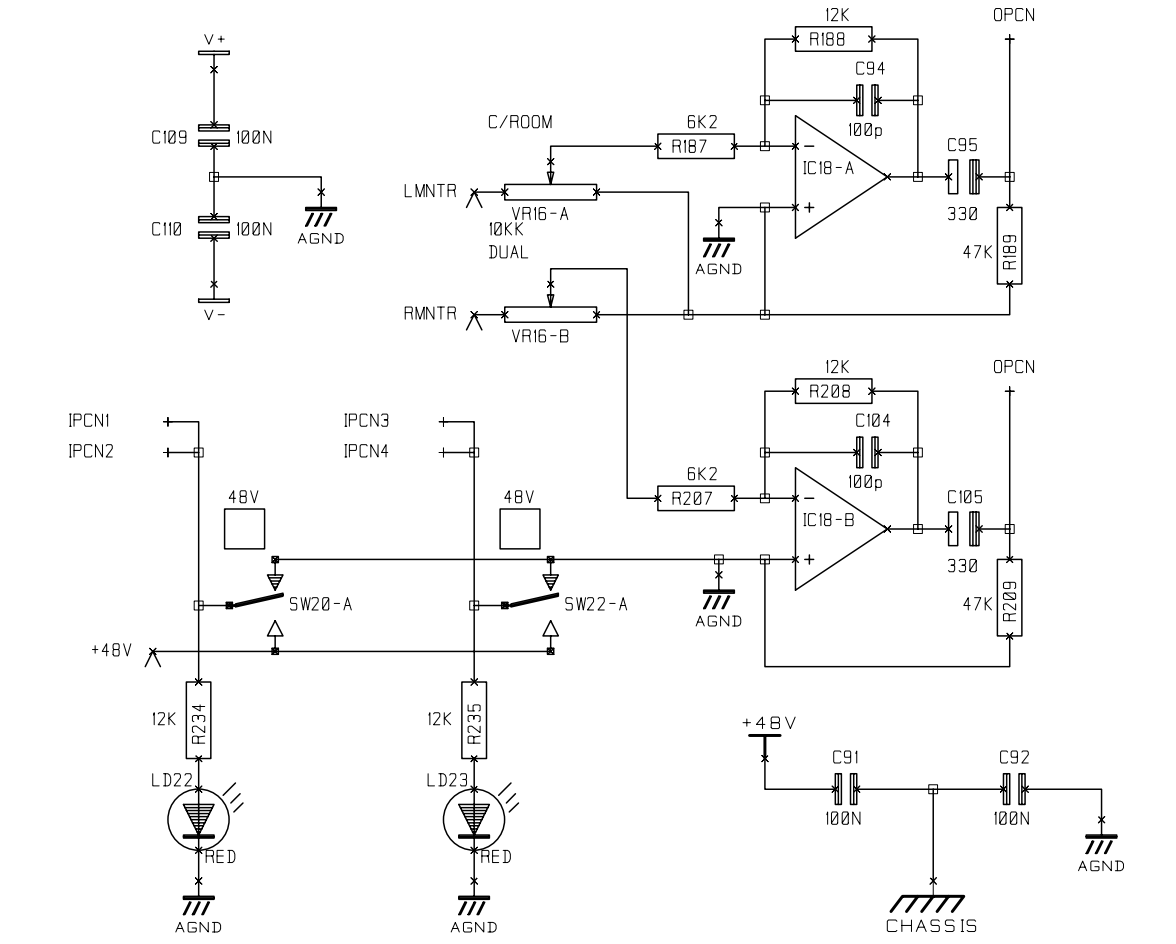
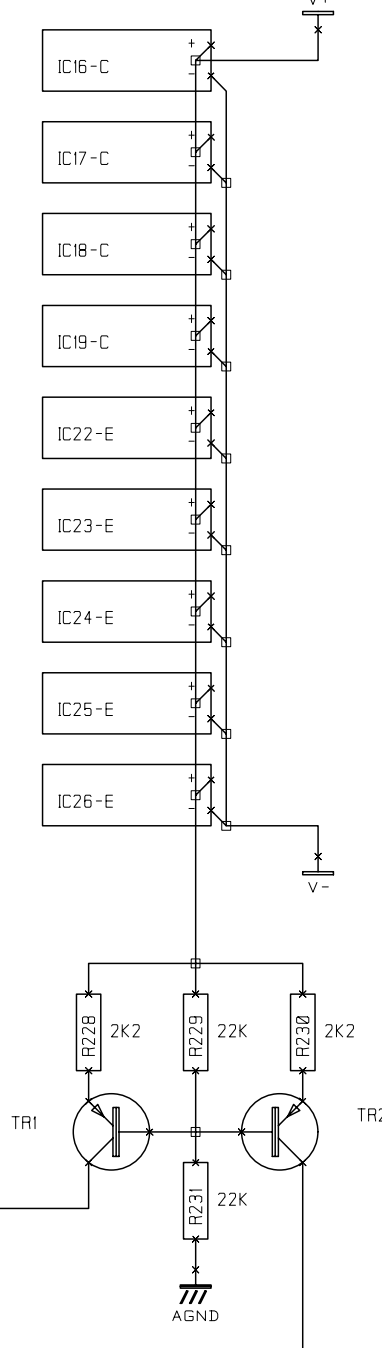
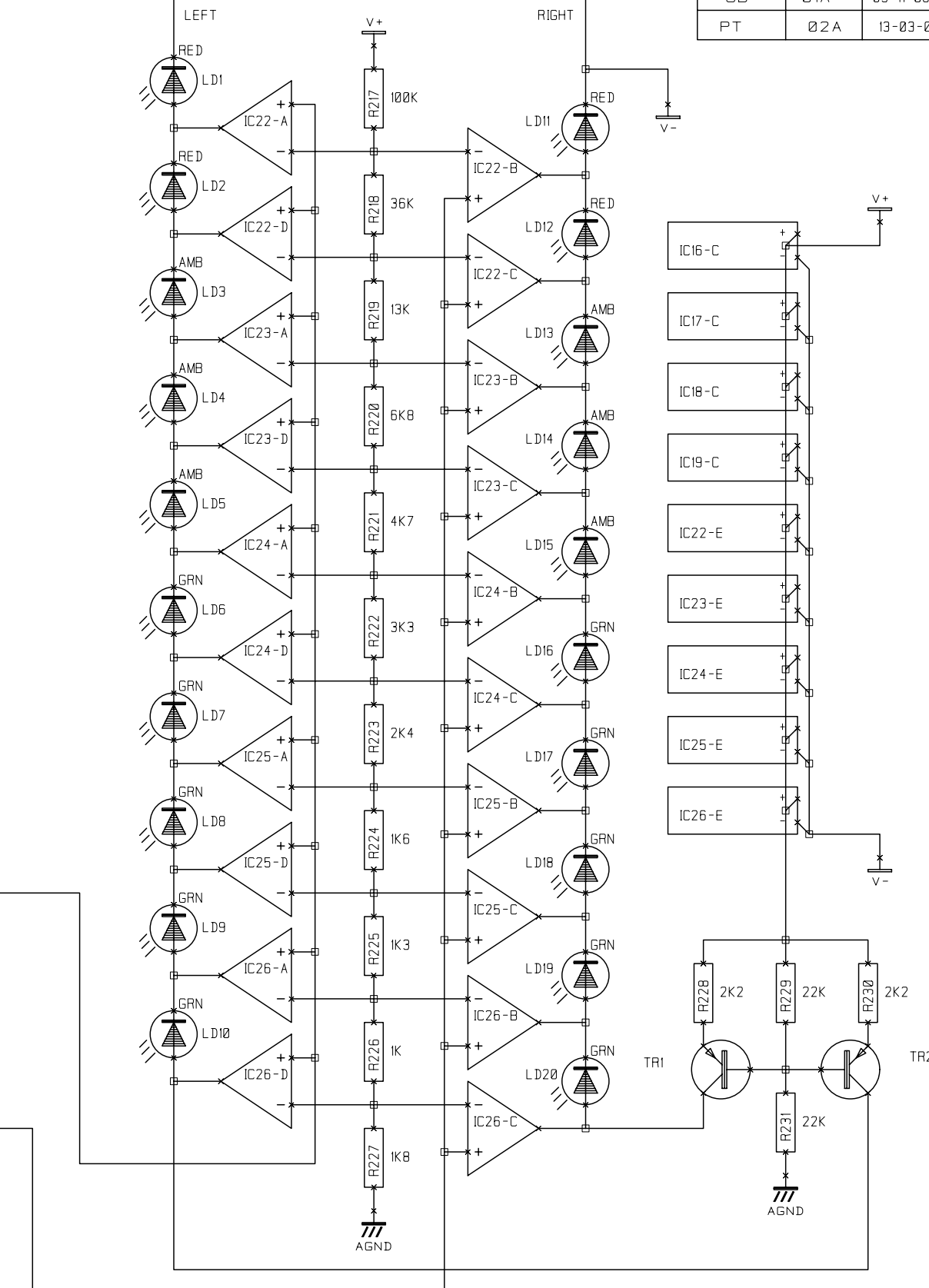
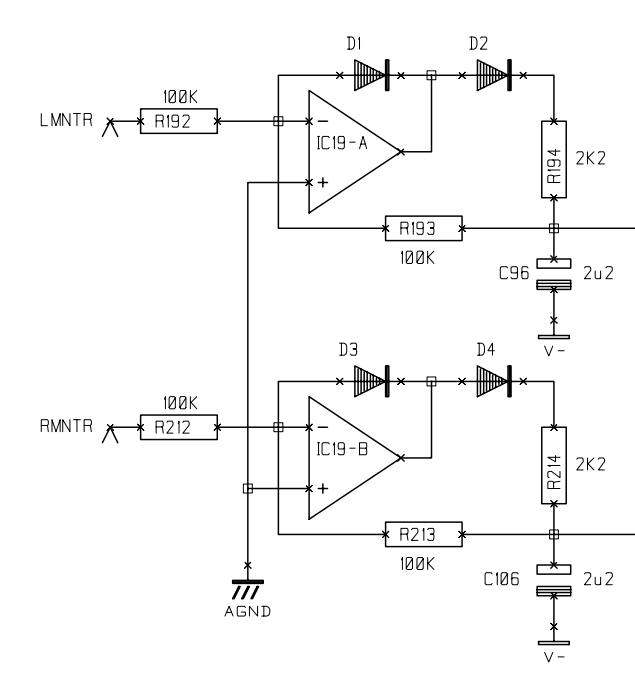
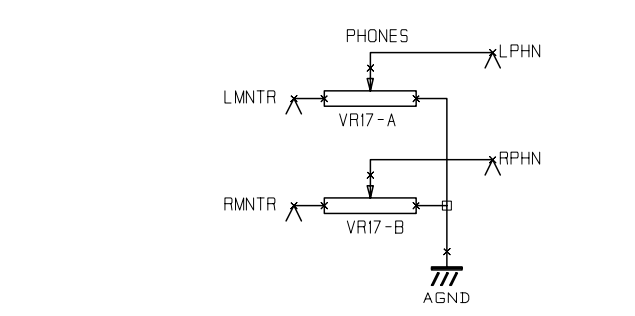
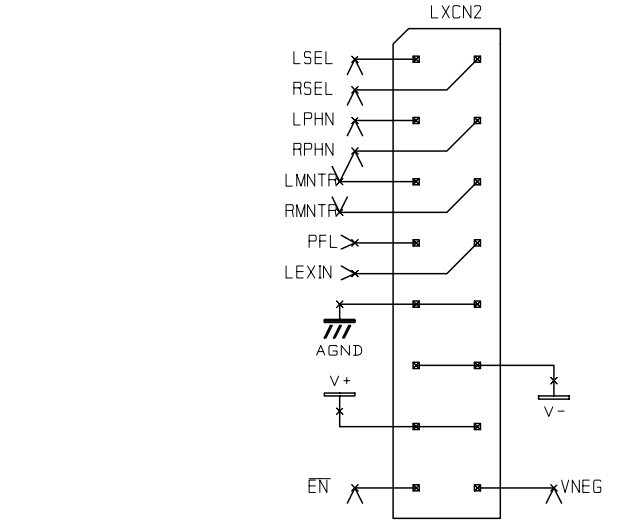
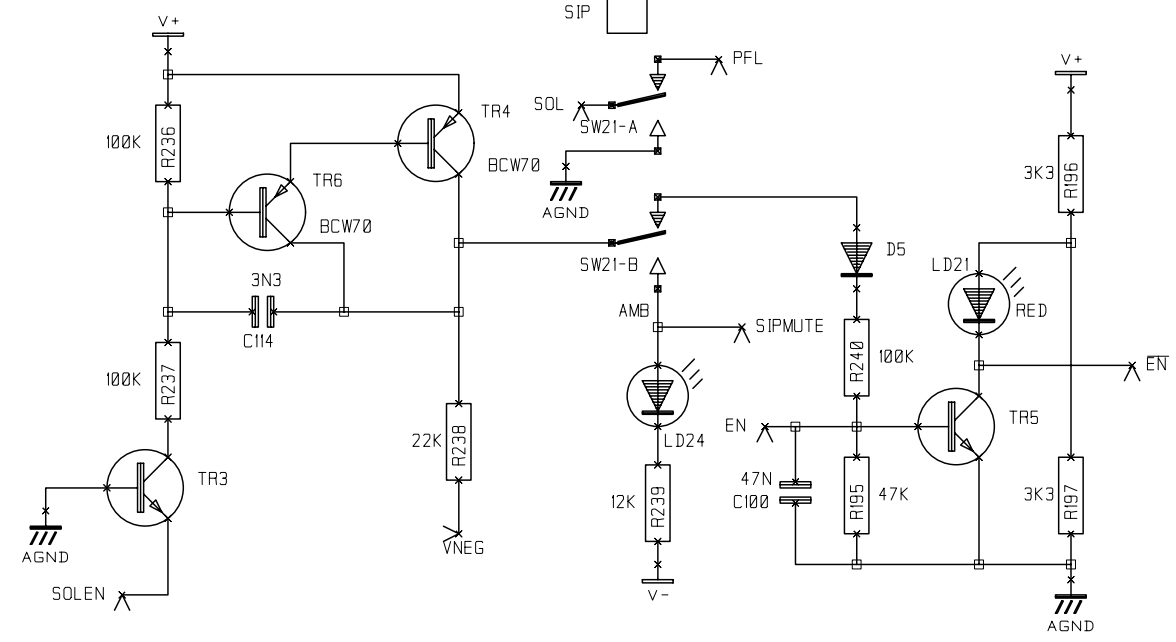
NOTES

DRN. GHB

TITLE SPIRIT FX16 Mk.2
MASTER 3

DRG NO. ED 0500E

INITIAL	ISSUE	DATE
GB	01A	03-11-06
PT	02A	13-03-06



NOTES
C114 CHANGED FROM 4N7 TO 3N3

DRN.	GHB	TITLE	SPIRIT FX16 Mk.2 MASTER 4
		DRG NO.	ED0500F

