

PIN NUMBERS ON  
IFCNI CONNECTOR.  
REPEATED FOR OTHER  
BLOCKS OF 4 CHANNELS

PRE AMP & EQ

HARMAN INTERNATIONAL INDUSTRIES  
LTD. OWNS THE COPYRIGHT OF THIS  
DRAWING WHICH IS NOT TO BE  
COPIED, REPRODUCED OR DISCLOSED,  
IN PART OR WHOLE TO A THIRD PARTY  
WITHOUT PRIOR WRITTEN PERMISSION.

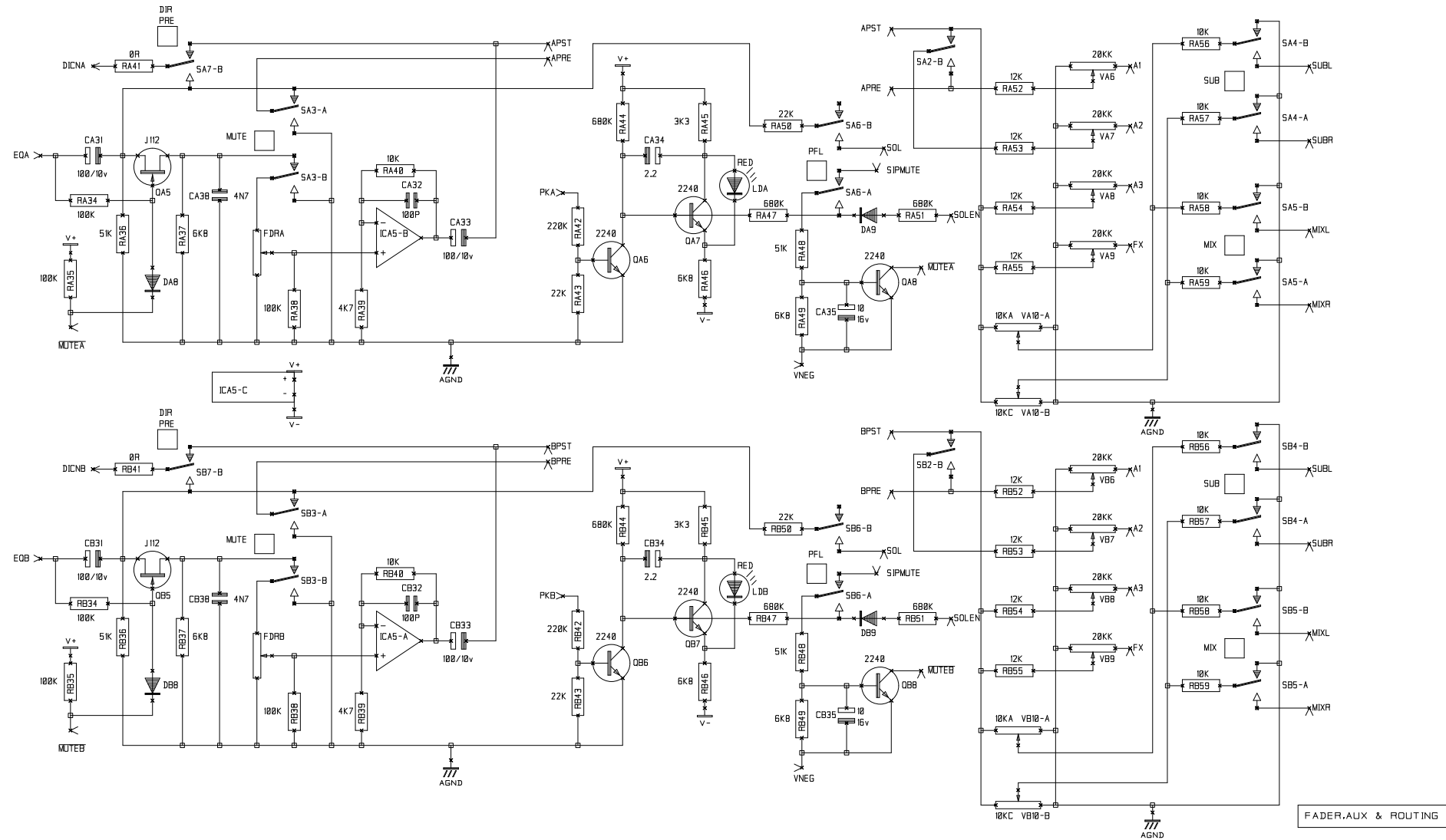
SOUNDCRAFT/STUDER  
HARMAN INT. INDUSTRIES LTD.  
CRANBORNE HOUSE,  
CRANBORNE ROAD,  
POTTERS BAR,  
HERTS. EN6 3JN  
ENGLAND UK  
TEL: +44(1707) 665000  
WWW.HARMANPRO.COM

NOTES:

DRN.  
DATE  
PROJECT CODE

CN No.	INITIAL	DATE	ISSUE
----	GB	02-11-06	01A
----	PT	13-03-06	02A
EC0061	PT	12-10-07	03A

TITLE
SPIRIT FX16 Mk.2 MONO INPUT
DRG NO. E0500A-03A
SHT. 1 OF 7



RA, RB37 (100K) NOW 6K8  
ADDED CA, CB38 = 4N7

FADER, AUX & ROUTING

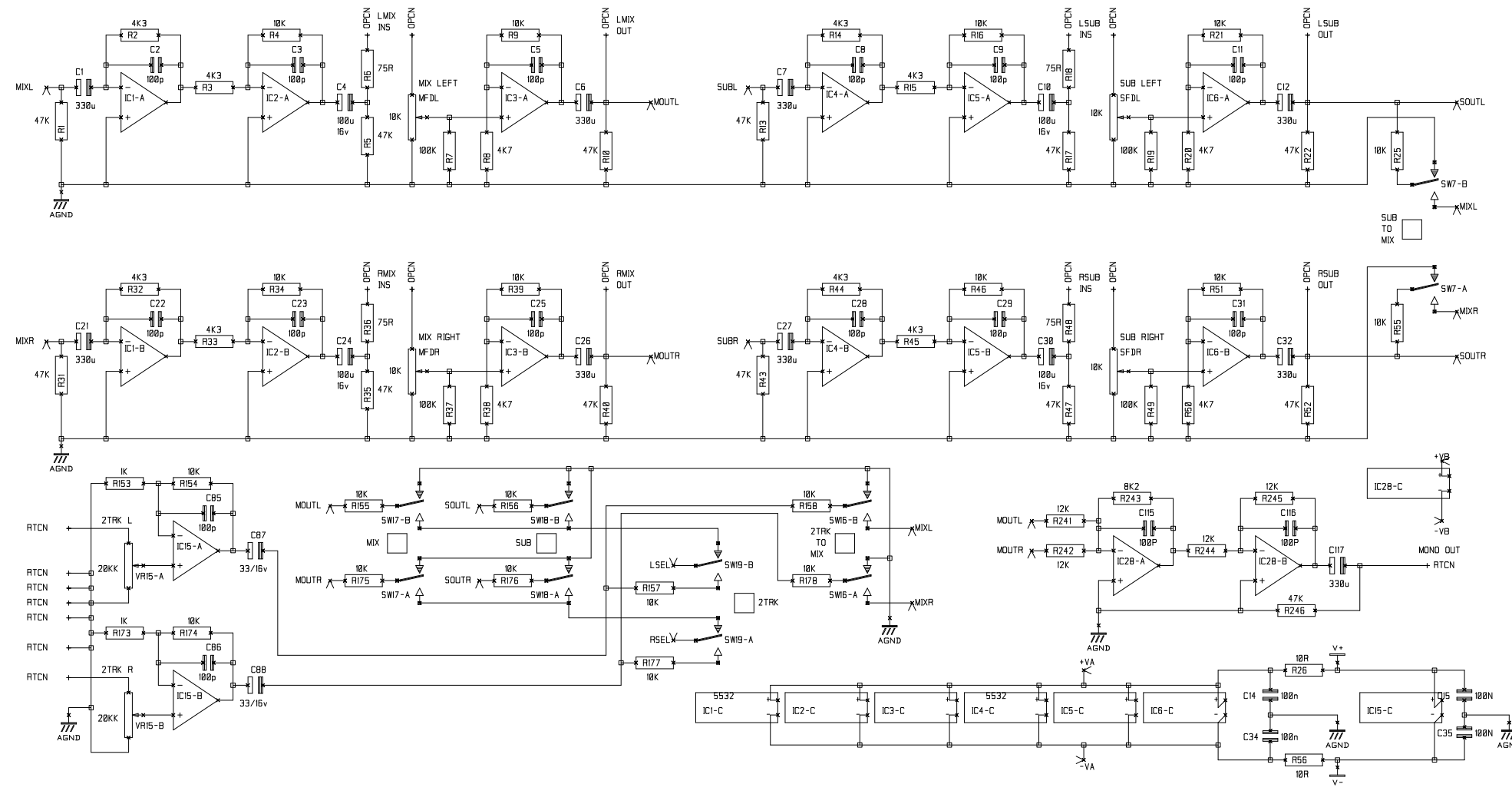
HARMAN INTERNATIONAL INDUSTRIES LTD. OWNS THE COPYRIGHT OF THIS DRAWING WHICH IS NOT TO BE COPIED, REPRODUCED OR DISCLOSED, IN PART OR WHOLE TO A THIRD PARTY WITHOUT PRIOR WRITTEN PERMISSION.

SOUNDCRAFT/STUDER  
HARMAN INT. INDUSTRIES LTD.  
CRANBORNE HOUSE,  
CRANBORNE ROAD,  
POTTERS BAR,  
HERTS. EN6 3JN  
ENGLAND UK  
TEL: +44(1707) 665000  
WWW.HARMANPRO.COM

NOTES:

DRN.	CN No.	INITIAL	DATE	ISSUE	TITLE
	----	GB	02-11-06	01A	SPIRIT FX16 Mk.2 MONO INPUT
DATE		PT	13-03-06	02A	
PROJECT CODE	EC0061	PT	12-10-07	03A	

DRG NO.	SHT. 2 OF 7
E0500A-03A	

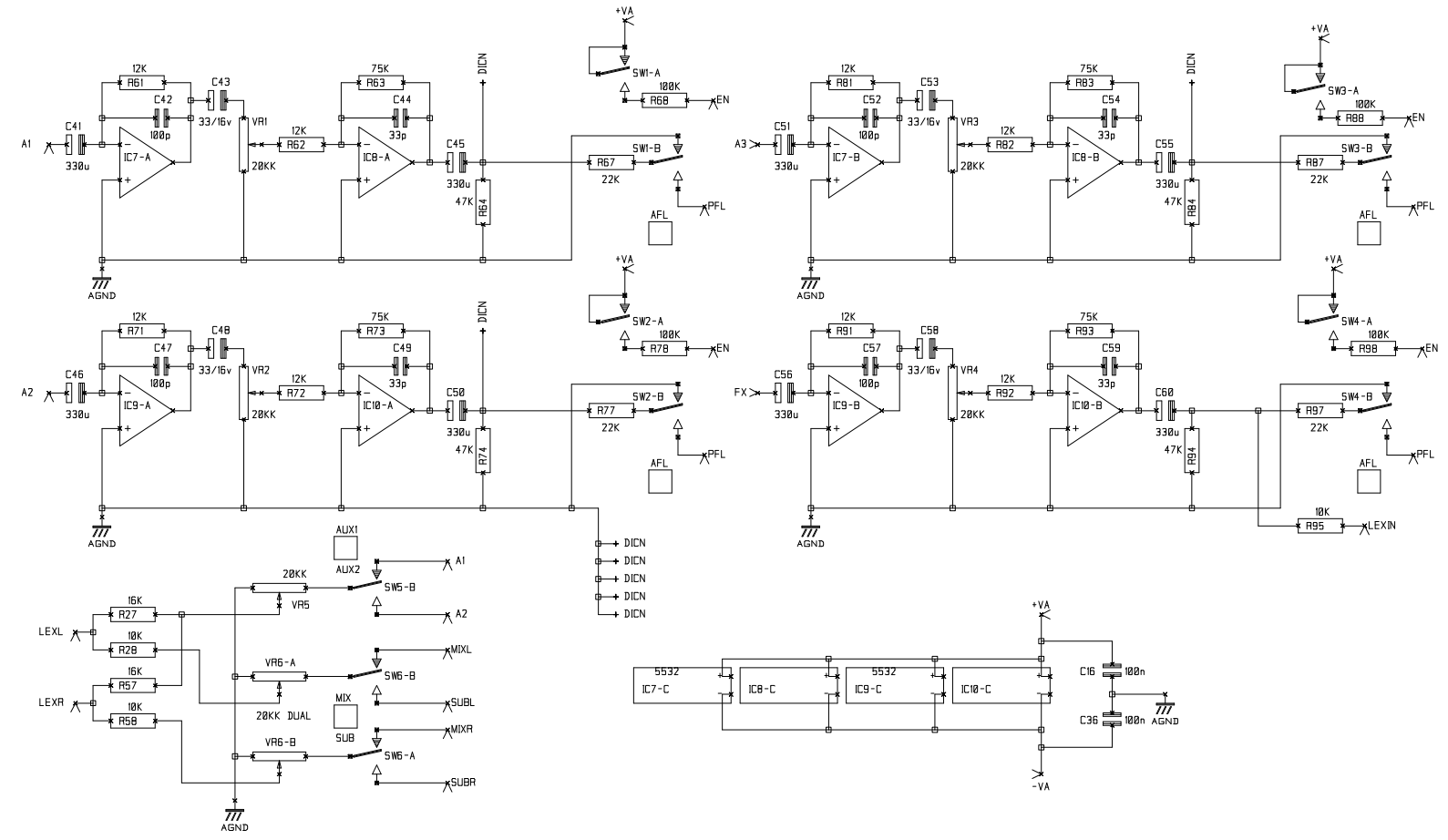


HARMAN INTERNATIONAL INDUSTRIES LTD. OWNS THE COPYRIGHT OF THIS DRAWING WHICH IS NOT TO BE COPIED, REPRODUCED OR DISCLOSED, IN PART OR WHOLE TO A THIRD PARTY WITHOUT PRIOR WRITTEN PERMISSION.

**SOUNDCRAFT/STUDER**  
HARMAN INT. INDUSTRIES LTD.  
CRANBORNE HOUSE,  
CRANBORNE ROAD,  
POTTERS BAR,  
HERTS. EN6 3JN  
ENGLAND UK  
TEL: +44(1707) 665000  
WWW.HARMANPRO.COM

NOTES:

DRN.	CN No.	INITIAL	DATE	ISSUE	TITLE SPIRIT FX16 Mk.2 MONO INPUT
DATE	-----	GB	02-11-06	01A	
PROJECT CODE	-----	PT	13-03-06	02A	
	EC0061	PT	12-10-07	03A	DRG NO. E0500A-03A
					SHT. 3 OF 7



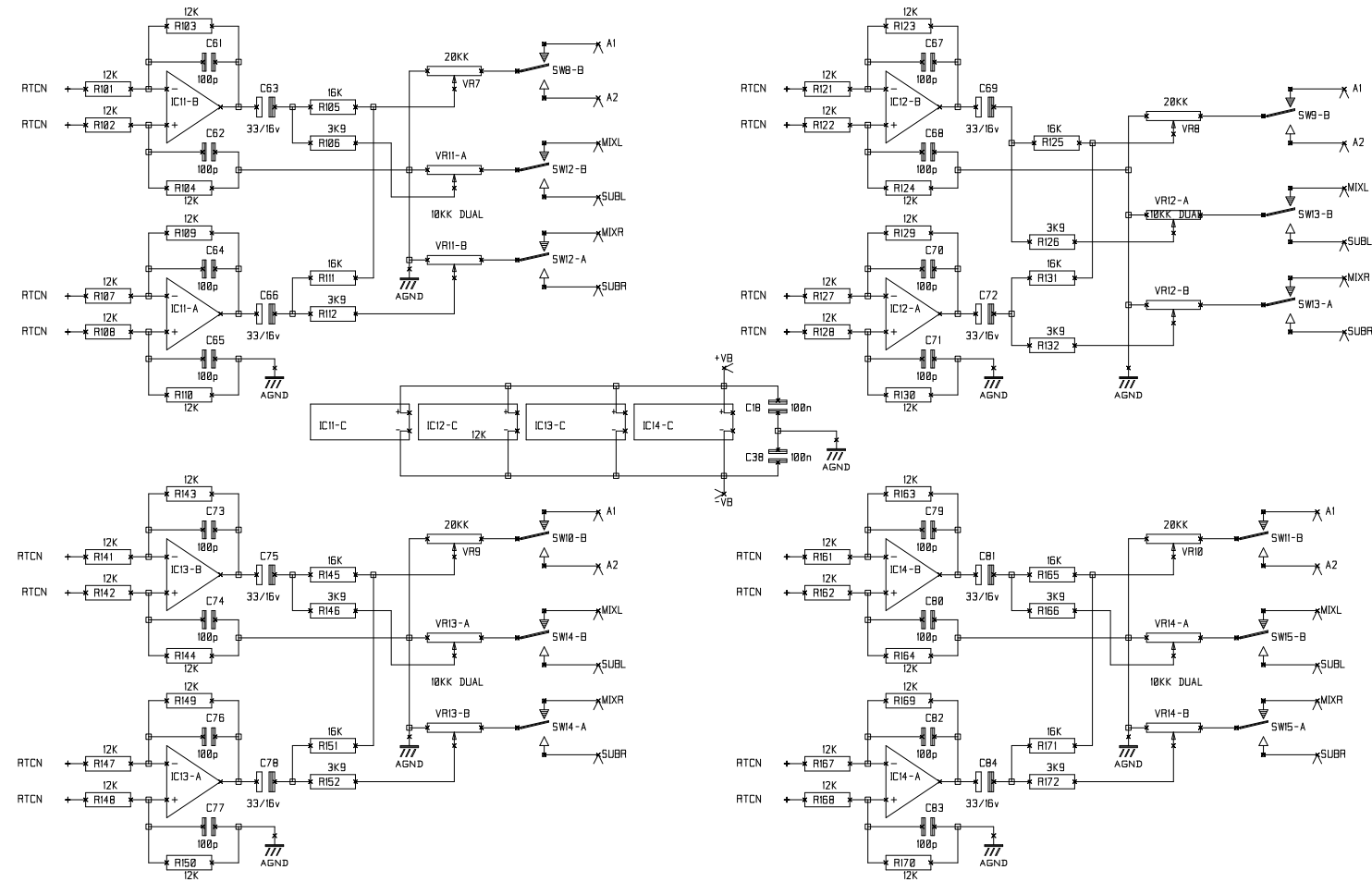
HARMAN INTERNATIONAL INDUSTRIES LTD. OWNS THE COPYRIGHT OF THIS DRAWING WHICH IS NOT TO BE COPIED, REPRODUCED OR DISCLOSED, IN PART OR WHOLE TO A THIRD PARTY WITHOUT PRIOR WRITTEN PERMISSION.

SOUNDCRAFT/STUDER  
HARMAN INT. INDUSTRIES LTD.  
CRANBORNE HOUSE,  
CRANBORNE ROAD,  
POTTERS BAR,  
HERTS. EN6 3JN  
ENGLAND UK  
TEL: +44(1707) 665000  
WWW.HARMANPRO.COM

NOTES:

DRN.	CN No.	INITIAL	DATE	ISSUE	TITLE SPIRIT FX16 Mk.2 MONO INPUT
DATE	-----	GB	02-11-06	01A	
PROJECT CODE	EC0061	PT	13-03-06	02A	
					DRG NO. E0500A-03A

					SHT. 4 OF 7
--	--	--	--	--	----------------



HARMAN INTERNATIONAL INDUSTRIES LTD. OWNS THE COPYRIGHT OF THIS DRAWING WHICH IS NOT TO BE COPIED, REPRODUCED OR DISCLOSED, IN PART OR WHOLE TO A THIRD PARTY WITHOUT PRIOR WRITTEN PERMISSION.

SOUNDCRAFT/STUDER  
 HARMAN INT. INDUSTRIES LTD.  
 CRANBORNE HOUSE,  
 CRANBORNE ROAD,  
 POTTERS BAR,  
 HERTS. EN6 3JN  
 ENGLAND UK  
 TEL: +44(1707) 665000  
 WWW.HARMANPRO.COM

NOTES:

DRN.

DATE

PROJECT CODE

CN No.

INITIAL

DATE

ISSUE

TITLE

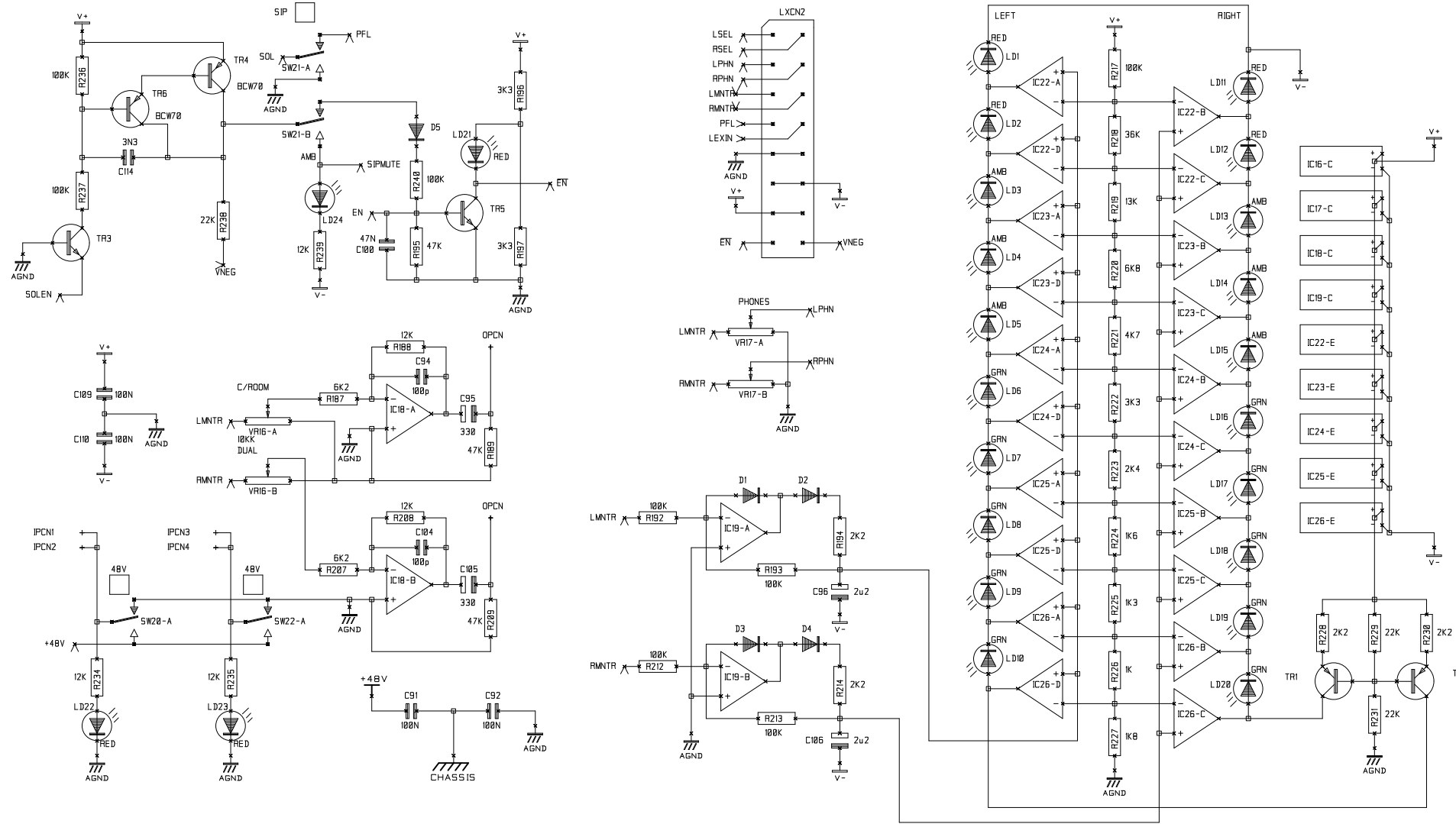
DRG NO.

-----	GB	02-11-06	01A
-----	PT	13-03-06	02A
EC0061	PT	12-10-07	03A

SPIRIT FX16 Mk.2  
 MONO INPUT

E0500A-03A

SHT. 5  
 OF 7



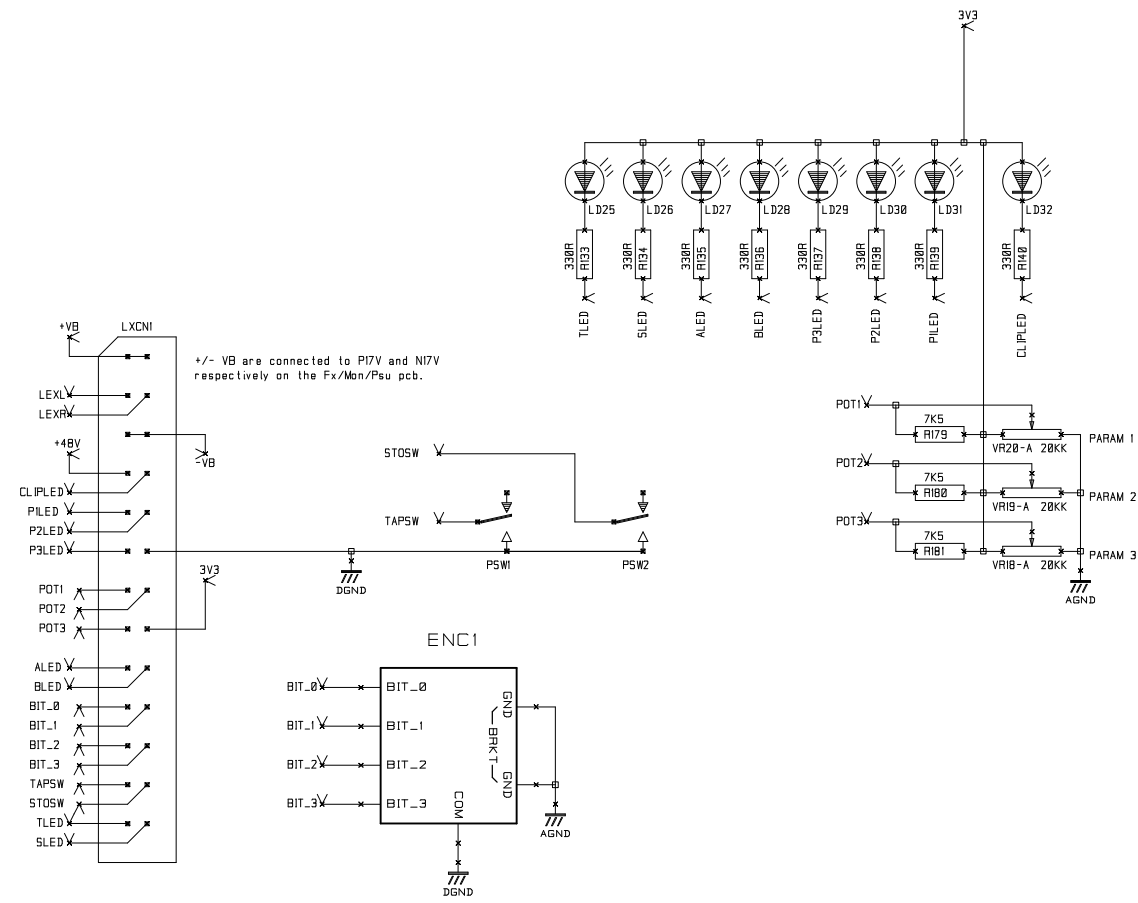
C114 CHANGED FROM 4N7 TO 3N3

HARMAN INTERNATIONAL INDUSTRIES LTD. OWNS THE COPYRIGHT OF THIS DRAWING WHICH IS NOT TO BE COPIED, REPRODUCED OR DISCLOSED, IN PART OR WHOLE TO A THIRD PARTY WITHOUT PRIOR WRITTEN PERMISSION.

SOUNDCRAFT/STUDER  
HARMAN INT. INDUSTRIES LTD.  
CRANBORNE HOUSE,  
CRANBORNE ROAD,  
POTTERS BAR,  
HERTS. EN6 3JN  
ENGLAND UK  
TEL: +44(1707) 665000  
WWW.HARMANPRO.COM

NOTES:

DRN.	CN No.	INITIAL	DATE	ISSUE	TITLE
	----	GB	02-11-06	01A	SPIRIT FX16 Mk.2 MONO INPUT
DATE	----	PT	13-03-06	02A	
	EC0061	PT	12-10-07	03A	
PROJECT CODE					DRG NO. E0500A-03A



1.PARAM SWITCHES PULL UP RES ON LEXICHP PCB.  
 2.4 BIT GRAY CODE AND 2 BIT INC ENCODERS NOT SHOWN.  
 PULL UPS ON LEXICHP PCB.  
 3. +VB AND -VB ARE FROM +17V AND -17V ON PSU.

HARMAN INTERNATIONAL INDUSTRIES LTD. OWNS THE COPYRIGHT OF THIS DRAWING WHICH IS NOT TO BE COPIED, REPRODUCED OR DISCLOSED, IN PART OR WHOLE TO A THIRD PARTY WITHOUT PRIOR WRITTEN PERMISSION.

SOUNDCRAFT/STUDER  
 HARMAN INT. INDUSTRIES LTD.  
 CRANBORNE HOUSE,  
 CRANBORNE ROAD,  
 POTTERS BAR,  
 HERTS. EN6 3JN  
 ENGLAND UK  
 TEL: +44(1707) 665000  
 WWW.HARMANPRO.COM

NOTES:

DRN.	CN No.	INITIAL	DATE	ISSUE	TITLE SPIRIT FX16 Mk.2 MONO INPUT
DATE	-----	GB	02-11-06	01A	
PROJECT CODE	EC0061	PT	12-10-07	03A	

DRG NO.  
E0500A-03A

SHT. 7  
OF 7