

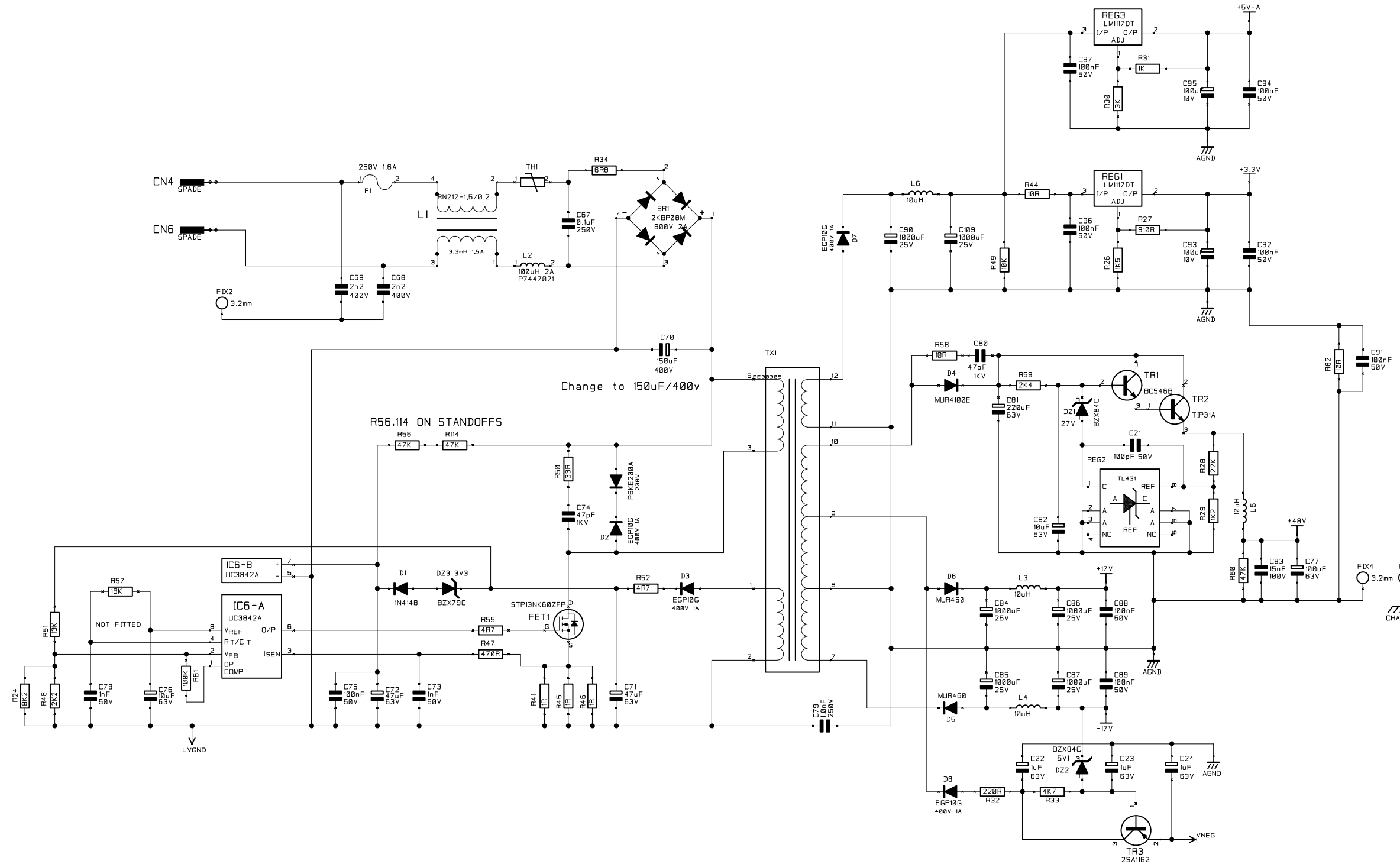
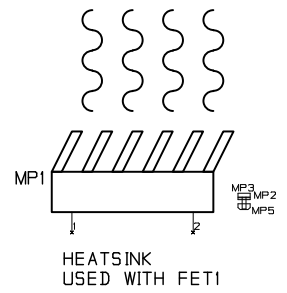
SOUNDCRAFT OWN THE COPYRIGHT OF THIS DRAWING WHICH IS NOT TO BE COPIED, REPRODUCED OR DISCLOSED, IN PART OR WHOLE TO A THIRD PARTY WITHOUT PRIOR WRITTEN PERMISSION.

SOUNDCRAFT
 HARMAN INT. INDUSTRIES LTD.
 CRANBORNE HOUSE,
 CRANBORNE ROAD,
 POTTERS BAR,
 HERTS. EN6 3JN.
 TEL: 01707 665000
 FAX: 01707 660482

NOTES

DRN.	GHB	CN No.	----	INITIAL	GHB	DATE	14-11-06	ISSUE	01A
DATE	00-00-05		----		GHB		13-03-07		02A
					ML		26-03-07		02B
MASTER IF RED									

TITLE		FX16 Mk.2	
		FX/MON/PSU BOARD	
DRG NO.	E0498A-03	SHT. 1	OF 5



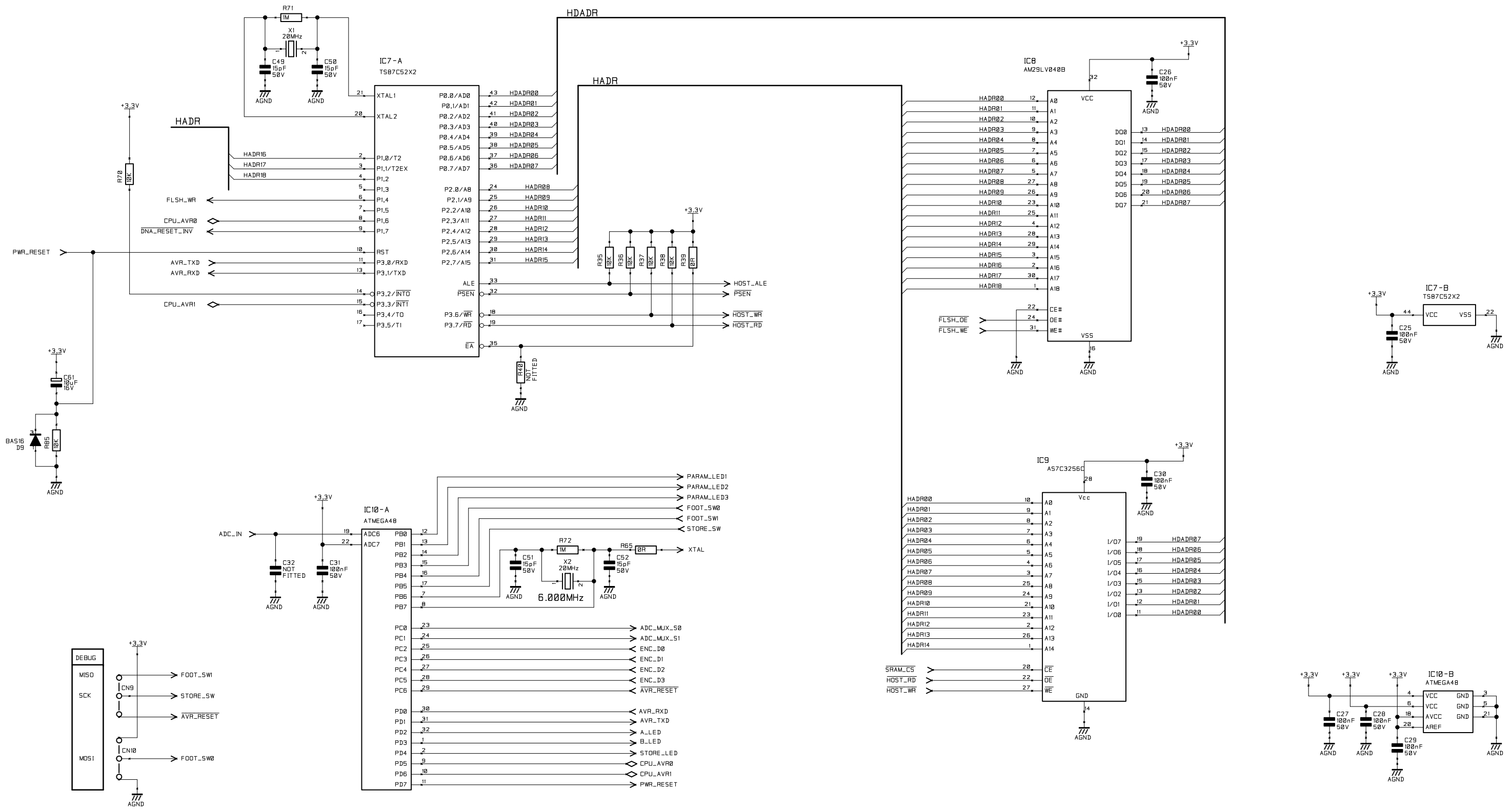
SOUNDCRAFT
HARMAN INT. INDUSTRIES LTD.
CRANBORNE HOUSE,
CRANBORNE ROAD,
POTTERS BAR,
HERTS. EN6 3JN.
TEL: 01707 665000
FAX: 01707 660482

NOTES

DRN.	GHB
DATE	00-00-05
MASTER IF RED	

CN No.	INITIAL	DATE	ISSUE
----	GHB	14-11-06	01A
----	GHB	13-03-07	02A
----	ML	26-03-07	02B

TITLE	FX16 Mk.2 FX/MON/PSU BOARD
DRG NO.	E0498A-03
SHT. 2 OF 5	



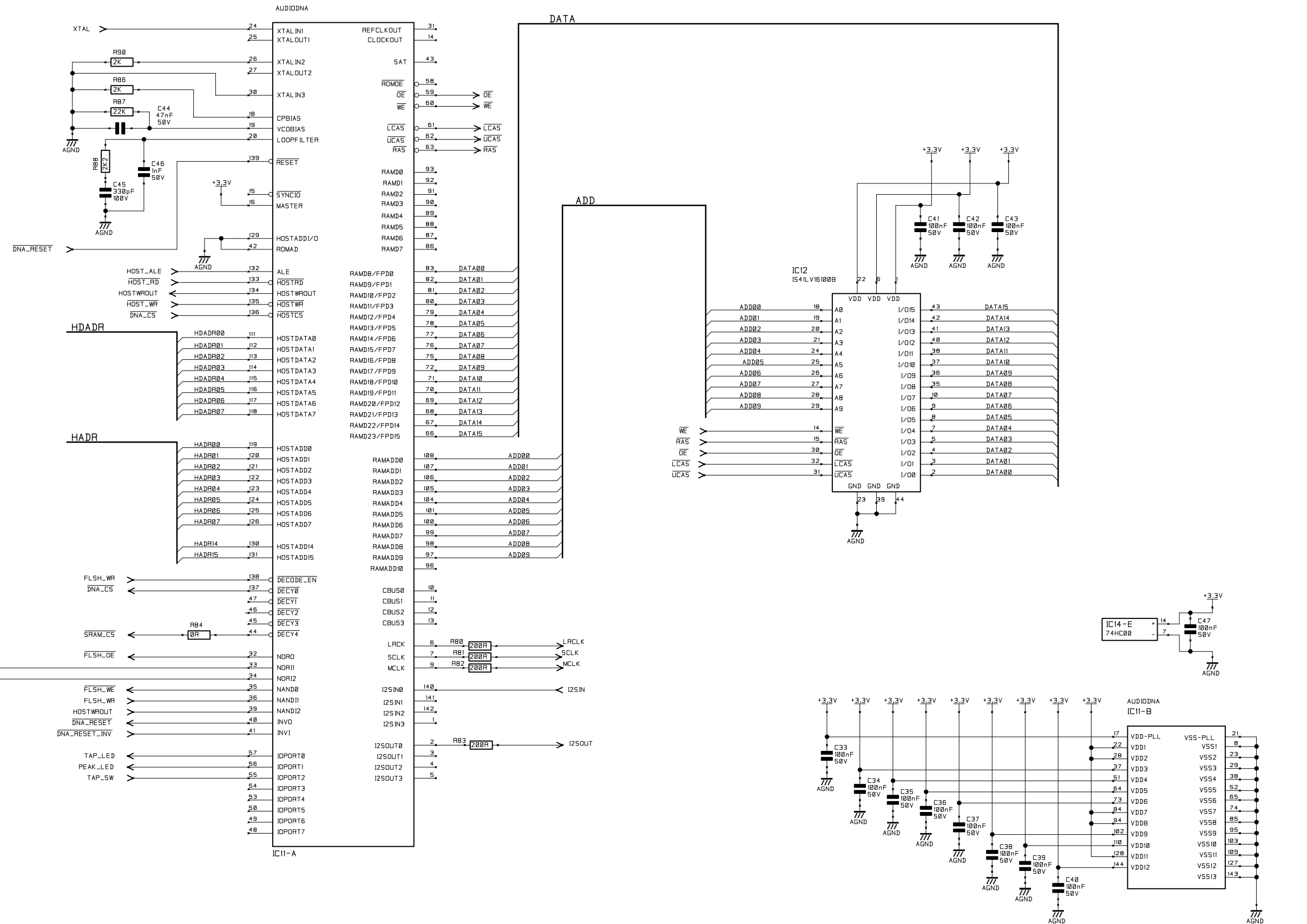
SOUNDCRAFT OWN THE COPYRIGHT OF THIS DRAWING WHICH IS NOT TO BE COPIED, REPRODUCED OR DISCLOSED, IN PART OR WHOLE TO A THIRD PARTY WITHOUT PRIOR WRITTEN PERMISSION.

SOUNDCRAFT
 HARMAN INT. INDUSTRIES LTD.
 CRANBORNE HOUSE,
 CRANBORNE ROAD,
 POTTERS BAR,
 HERTS. EN6 3JN.
 TEL: 01707 665000
 FAX: 01707 660482

NOTES

DRN.	GHB	CN No.	----	INITIAL	GHB	DATE	14-11-06	ISSUE	01A
DATE	00-00-05		----		GHB		13-03-07		02A
MASTER IF RED			----		ML		26-03-07		02B

TITLE	FX16 Mk.2 FX/MON/PSU BOARD	
DRG NO.	E0498A-03	SHT. 3 OF 5

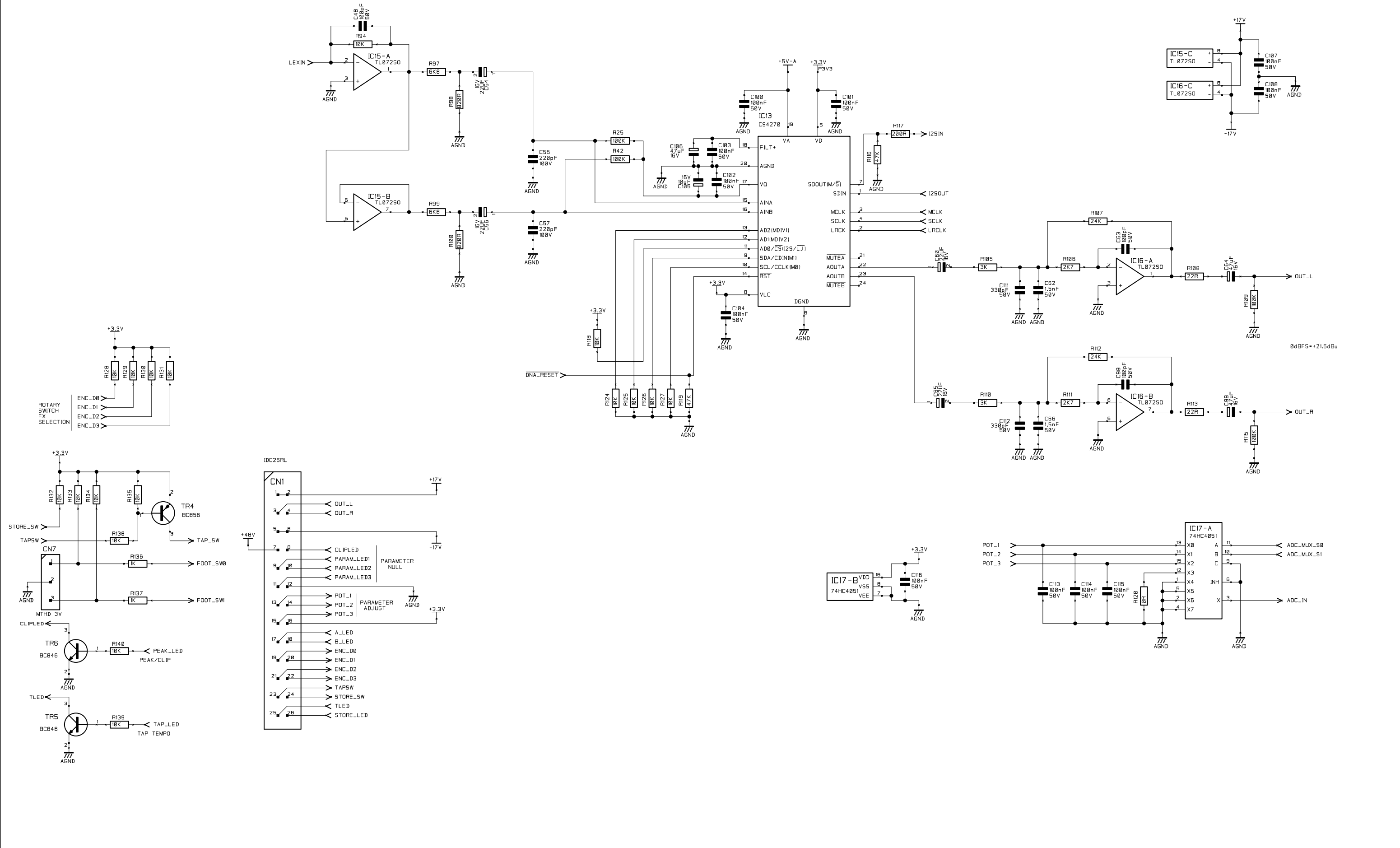


SOUNDCRAFT OWN THE COPYRIGHT OF THIS DRAWING WHICH IS NOT TO BE COPIED, REPRODUCED OR DISCLOSED, IN PART OR WHOLE TO A THIRD PARTY WITHOUT PRIOR WRITTEN PERMISSION.

SOUNDCRAFT
 HARMAN INT. INDUSTRIES LTD.
 CRANBORNE HOUSE,
 CRANBORNE ROAD,
 POTTERS BAR,
 HERTS. EN6 3JN.
 TEL: 01707 665000
 FAX: 01707 660482

NOTES

DRN.	GHB	CN No.	----	INITIAL	GHB	DATE	14-11-06	ISSUE	01A	TITLE FX16 Mk.2 FX/MON/PSU BOARD
DATE	00-00-05		----		ML		26-03-07		02B	
MASTER IF RED										
DRG NO. E0498A-03										SHT. 4 OF 5



SOUNDCRAFT OWN THE COPYRIGHT OF THIS DRAWING WHICH IS NOT TO BE COPIED, REPRODUCED OR DISCLOSED, IN PART OR WHOLE TO A THIRD PARTY WITHOUT PRIOR WRITTEN PERMISSION.

SOUNDCRAFT
 HARMAN INT. INDUSTRIES LTD.
 CRANBORNE HOUSE,
 CRANBORNE ROAD,
 POTTERS BAR,
 HERTS. EN6 3JN.
 TEL: 01707 665000
 FAX: 01707 660482

NOTES

DRN.	GHB	CN No.	----	INITIAL	GHB	DATE	14-11-06	ISSUE	01A
DATE	00-00-05		----		GHB		13-03-07		02A
					ML		26-03-07		02B
MASTER IF RED									

TITLE		FX16 Mk.2	
		FX/MON/PSU BOARD	
DRG NO.		E0498A-03	
SHT.		5 OF 5	