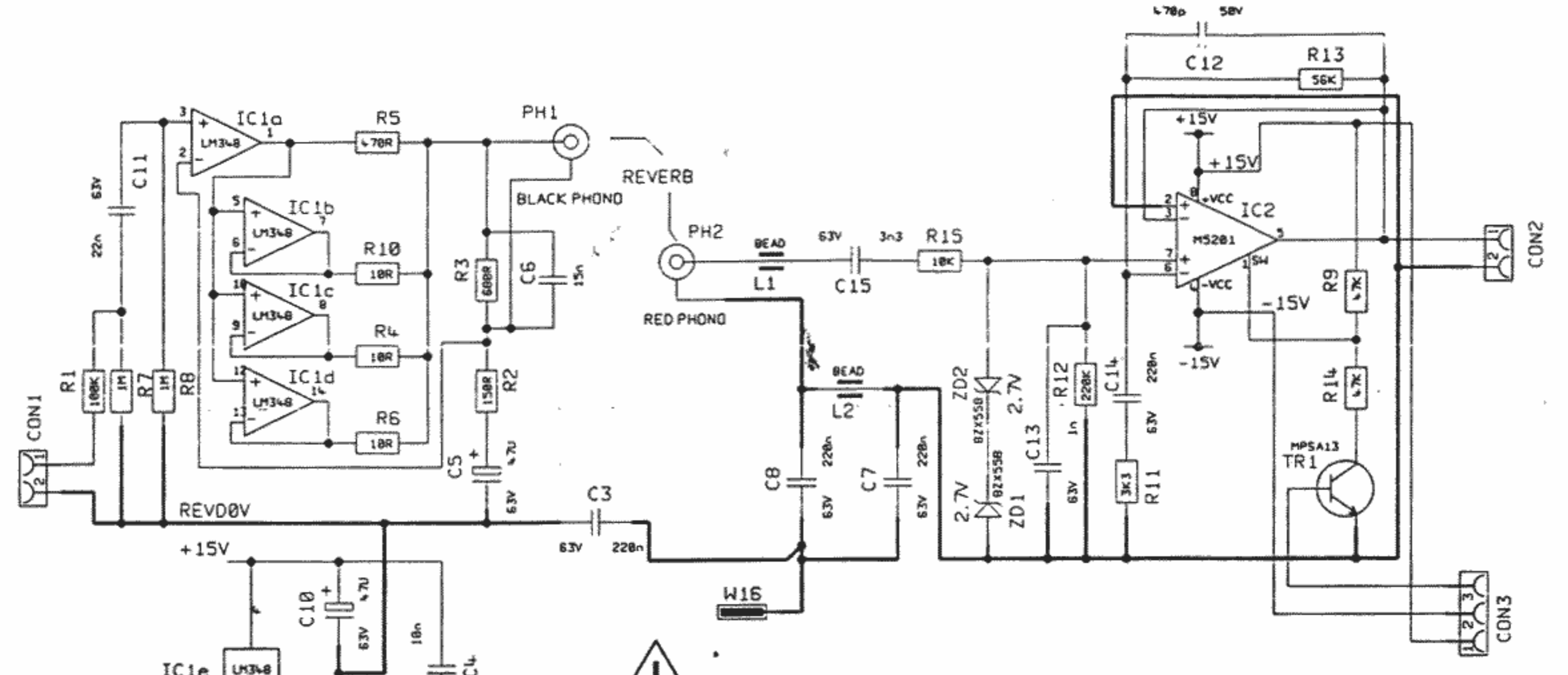


CON1->CON4  
JCM2-60-00

CON2->CON8  
JCM2-62-00

CON3->CON4  
JCM2-61-00



**115V UNITS**  
TYPE 19198  
T1AMP

**230V UNITS**  
TYPE 19195  
T1AMP

STOCK No. TXMA-00066  
PART No. D2179

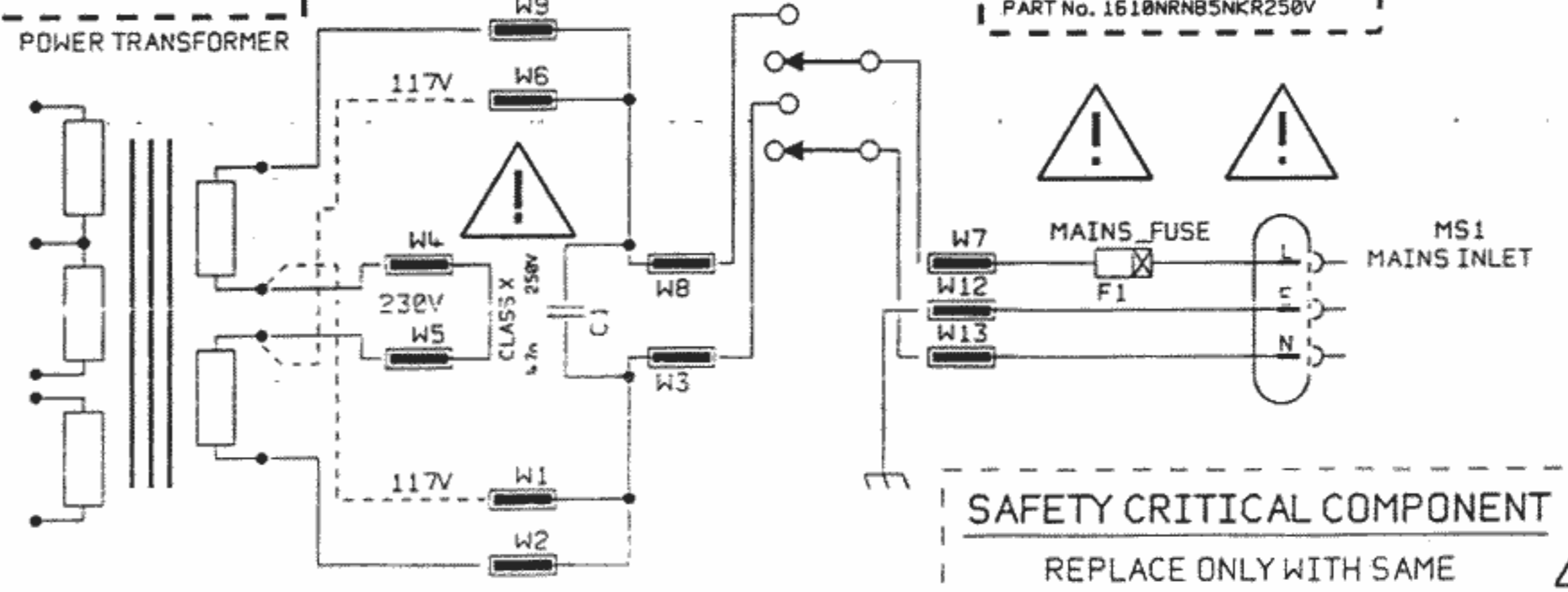
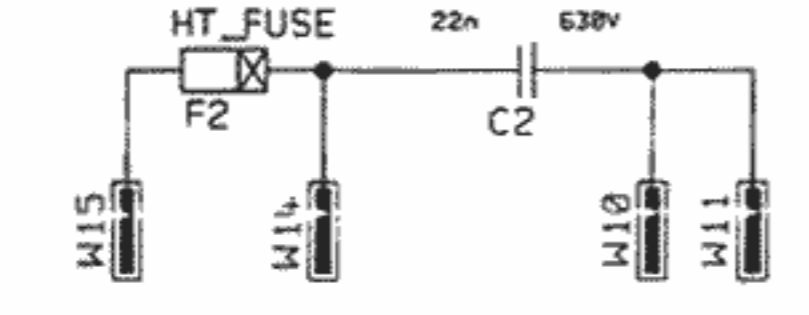
STOCK No. TXMA-00062  
PART No. D2135

STOCK No. TXMA-00061  
PART No. D2105

POWER TRANSFORMER

**115V UNITS**  
F1=T1AMP TYPE 19343  
MAINS SWITCH=STOCK No. S151  
PART No. 1310NB5NKR125V

**230V UNITS**  
F1=T2AMP TYPE 19195  
MAINS SWITCH=STOCK No. S217  
PART No. 1610NRNB5NKR250V



**SAFETY CRITICAL COMPONENT**  
REPLACE ONLY WITH SAME  
TYPE AND RATING.

ISS		ECO NUMBER		DATE		ALL OTHER HOLES =		X = (THROUGH PLATED)		MATERIAL		DIMENSIONS IN		TITLE	
1		PRODUCTION ISSUE		30/4/97		A		E		J		N		JCM2000	
						B		F		K		P		SUPER LEAD STANDARD	
						C		G		L		Q		REVERB/MAINS INPUT	
						D		H		M		R		DWG.No. JCM2-63-00.DGM	
														ISS 1	



DATE 28-12-96

DATE 23-6-97

MODEL JCM2000