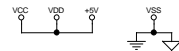
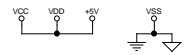
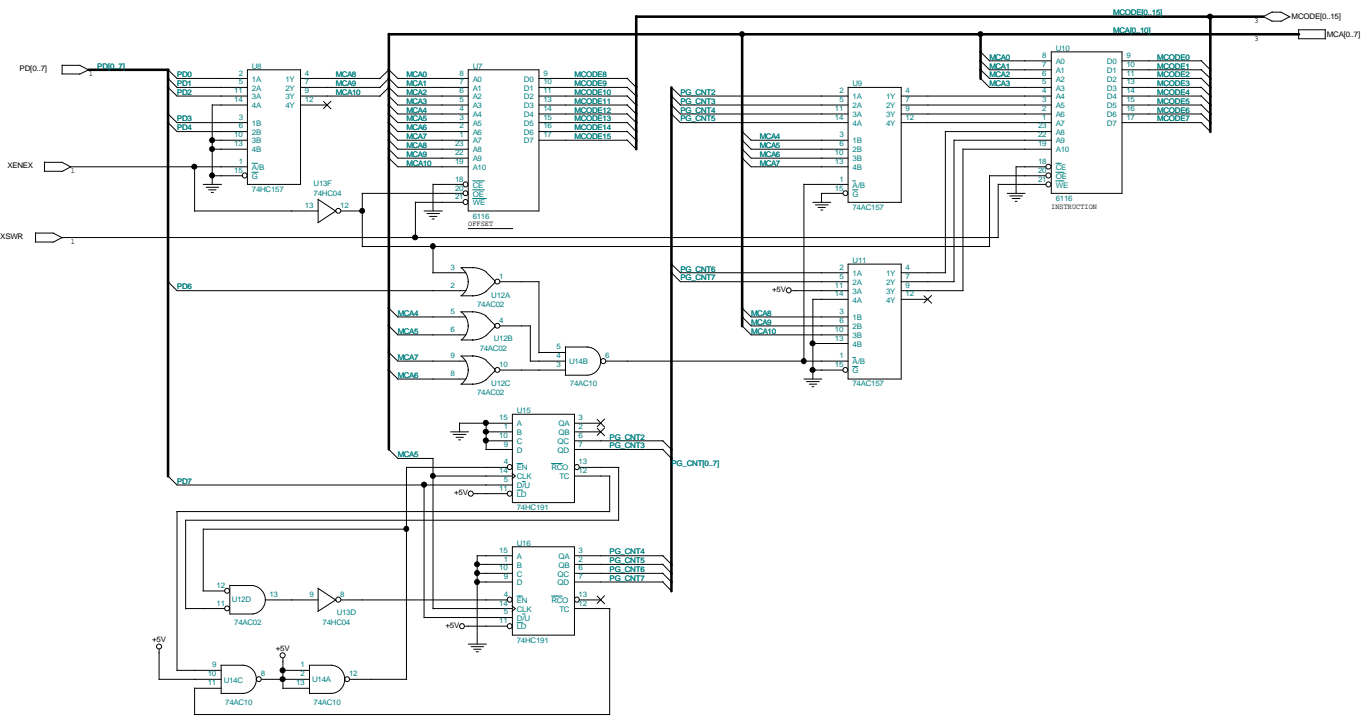


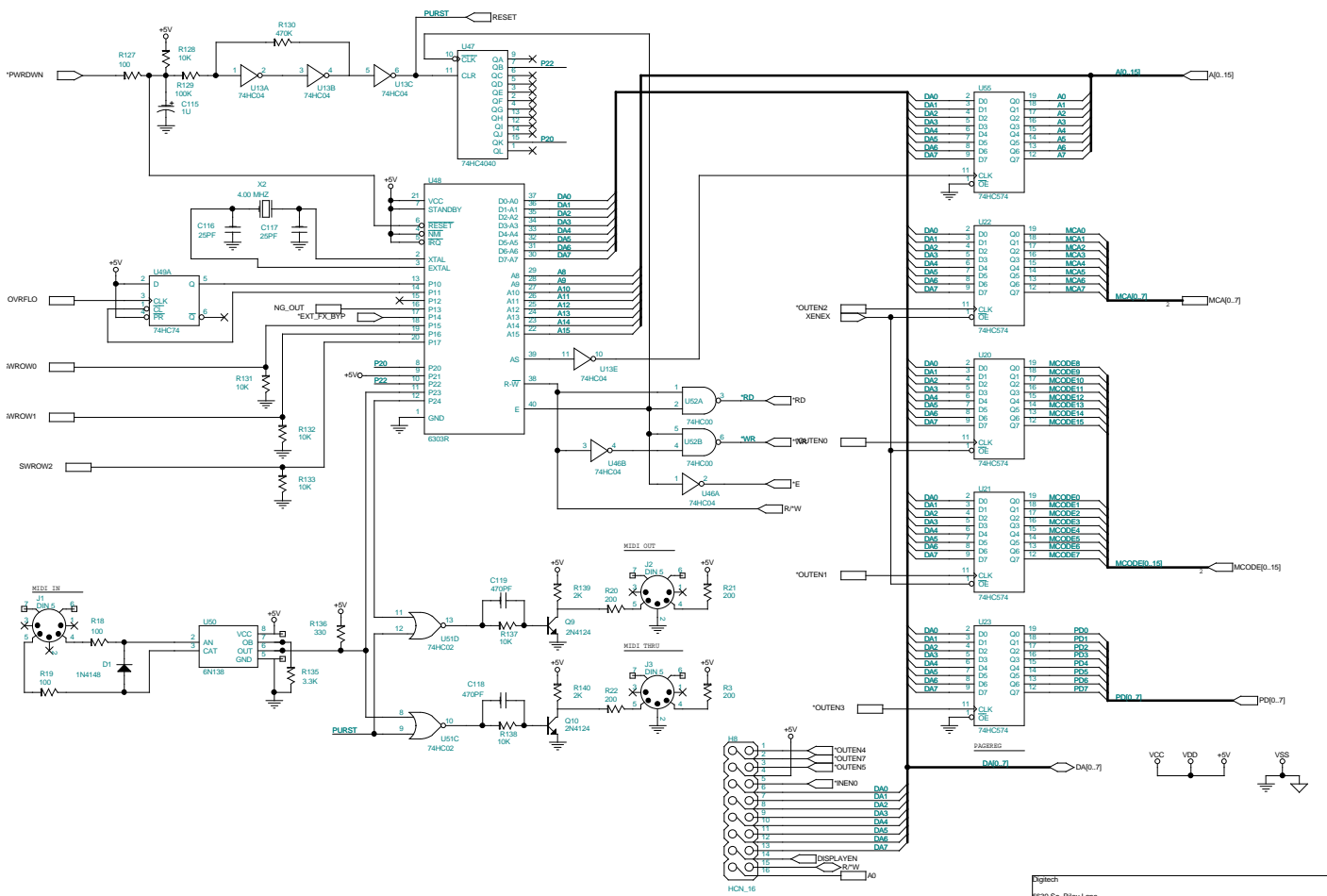
- LS88
- RP21MAA02.SCH
- RP21MAA03.SCH
- RP21MAA04.SCH
- RP21MAA05.SCH
- RP21MAA06.SCH
- RP21MAA07.SCH
- RP21MAA08.SCH
- RP21MAA09.SCH
- RP21MAA10.SCH



POD Electronics Inc.		
5639 So. Riley Lane Salt Lake City, Utah 84107		
Title	RP-1 MAIN BOARD (HSC SECTION)	
Size	Document Number	Rev
B	RP1MAA01.SCH	A10
Date:	Tuesday, December 12, 2000	Sheet 1 of 10



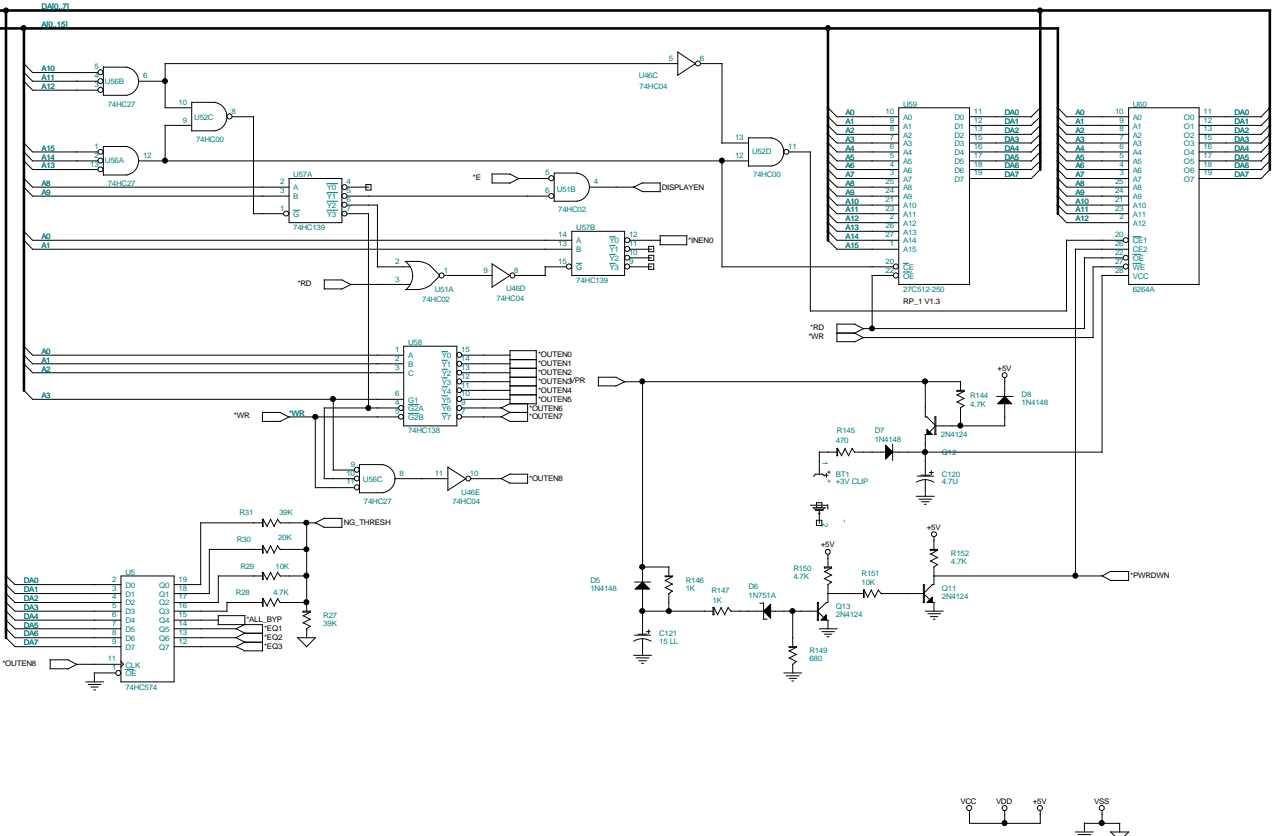
Digitech			
5629 So. Relay Lane Salt Lake City, Utah 84107			
File RP-1 MAIN BOARD (UPDATE AND INST. REG)			
Size B	Document Number RPHMA002.ZCH	Rev	A10
Date:	Tuesday, December 12, 2000	Sheet	2 of 10



Aplictech 6030 So. Riley Lane Salt Lake City, Utah 84107			
File	RP-1 MAIN BOARD (PROCESSOR, MID)		
Size	Document Number	Rev	A10
B	RP1MA03.SCH		
Date:	Tuesday, December 12, 2000	Sheet	3 of 10

DA0..7] [DA9..15

AP0..15]

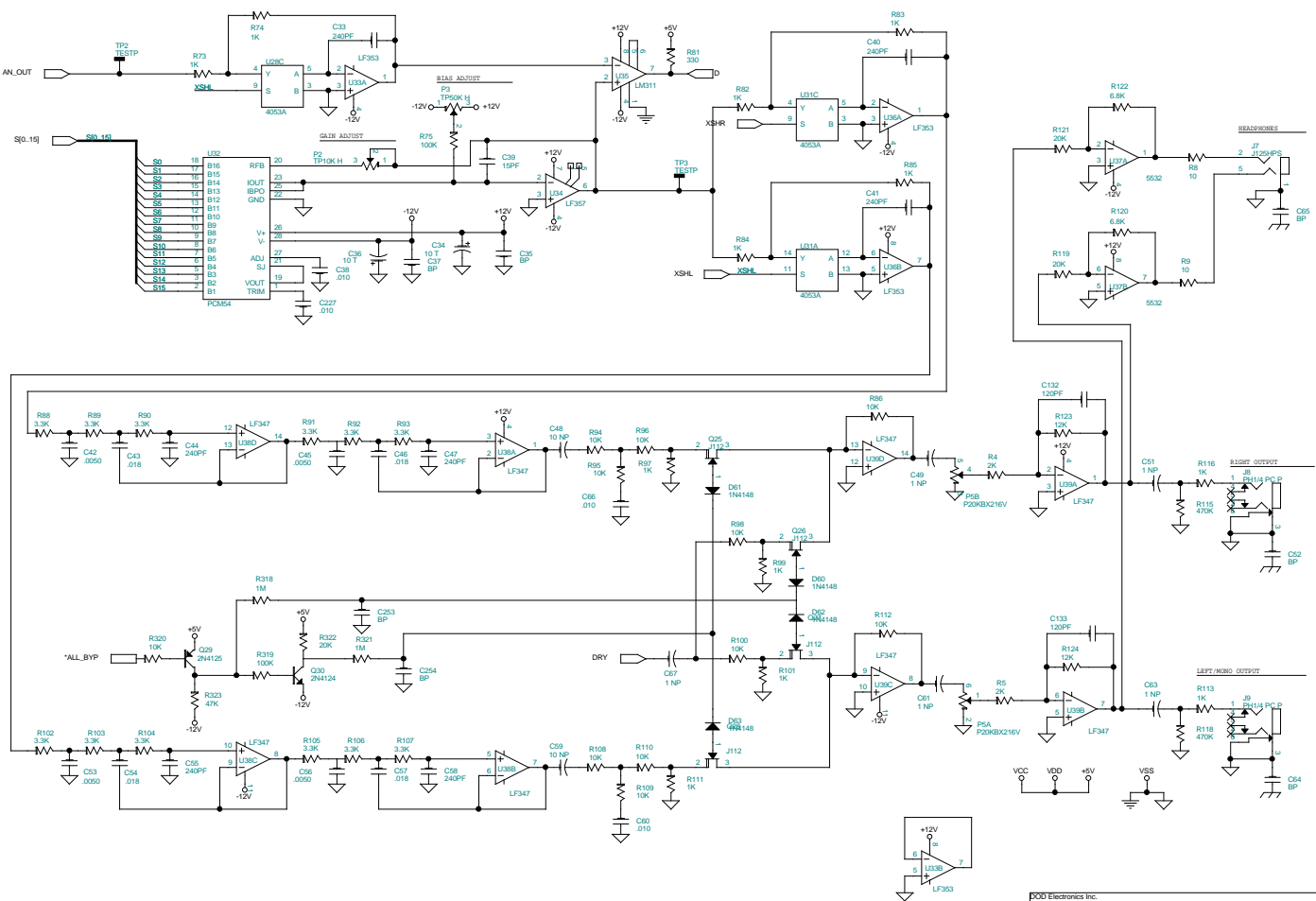


Digich
 3639 So. Riley Lane
 Salt Lake City, Utah 84107

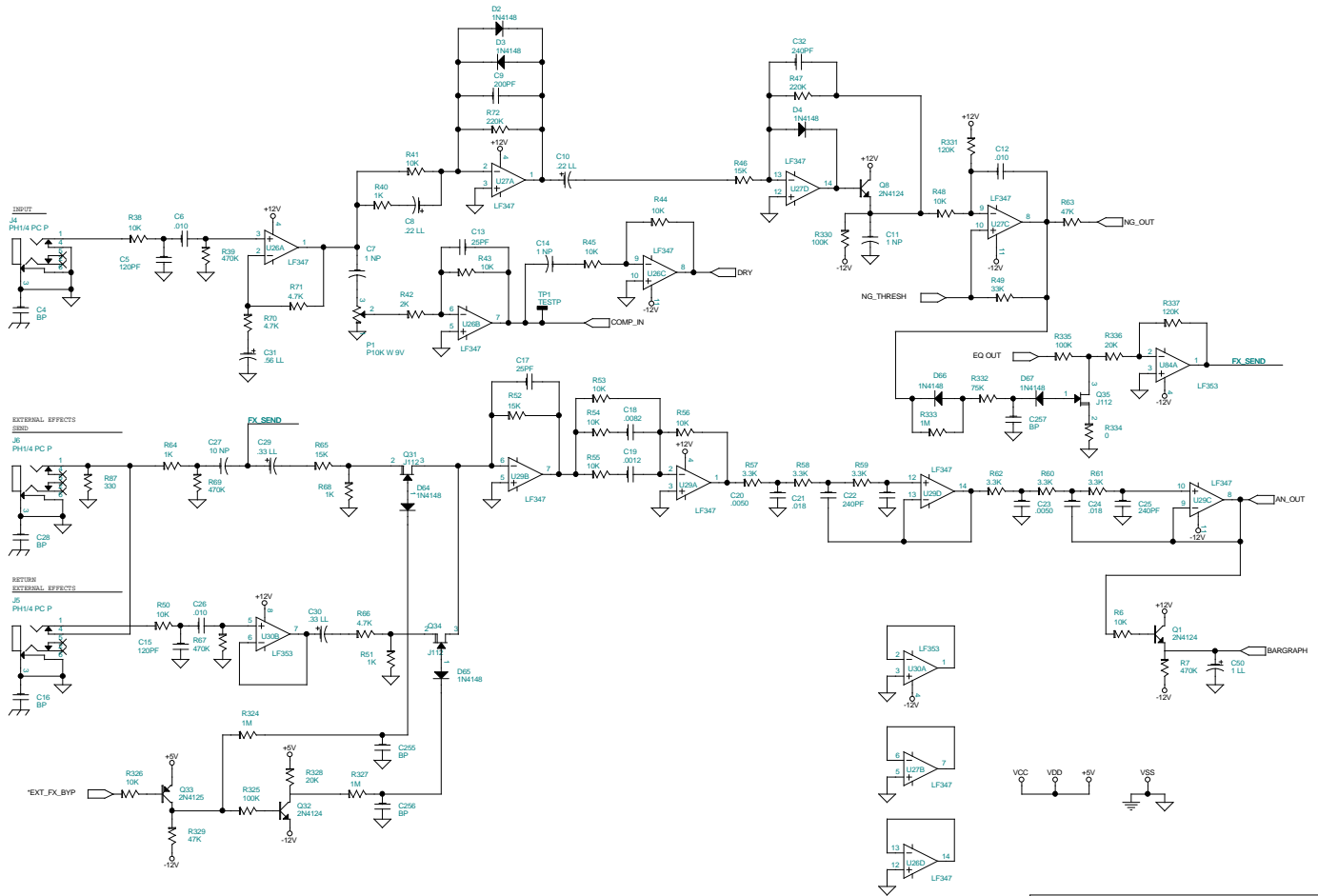
Title
 RP-1 MAIN BOARD (EPROM, SRAM, DECODE)

Size
 B Document Number RP1MA04-SCH Rev A10

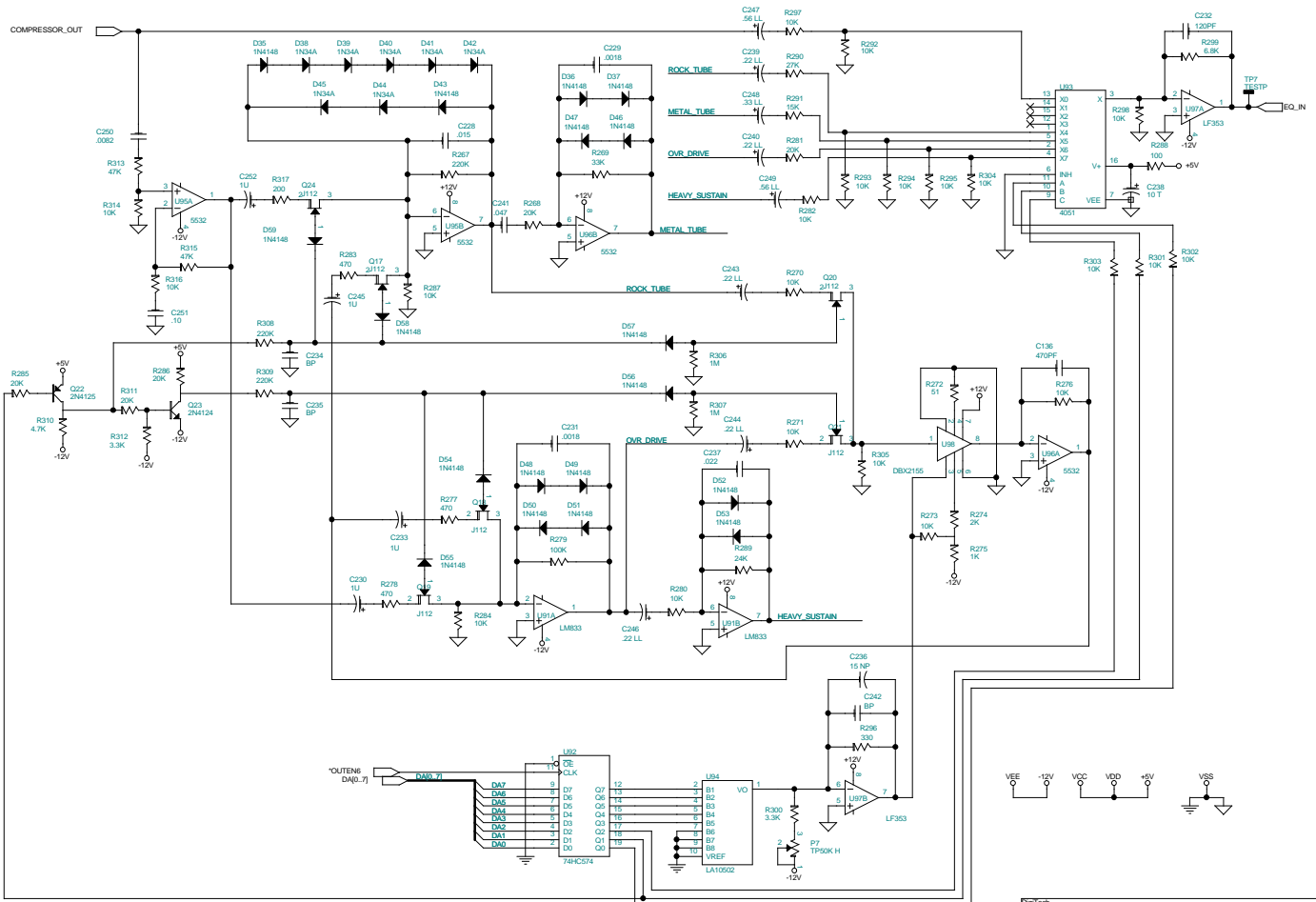
Date
 Tuesday, December 12, 2000 Sheet 4 of 10



DOD Electronics Inc.			
3638 So. Wiley Lane Salt Lake City, Utah 84107			
Title			
RP-1 MAIN BOARD (ADVA, OUTPUT)			
Size	Document Number	Rev	
B	RP1MAK02.SCH	A10	
Date	Tuesday, December 12, 2000	Sheet	5 of 10

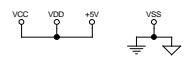
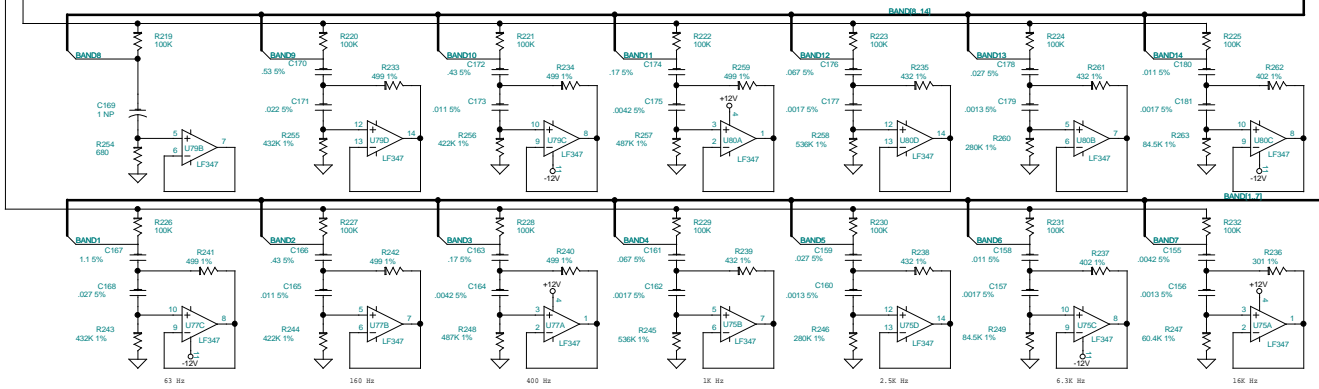
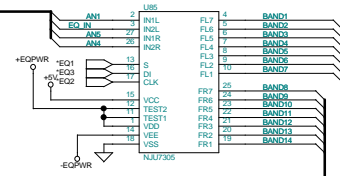
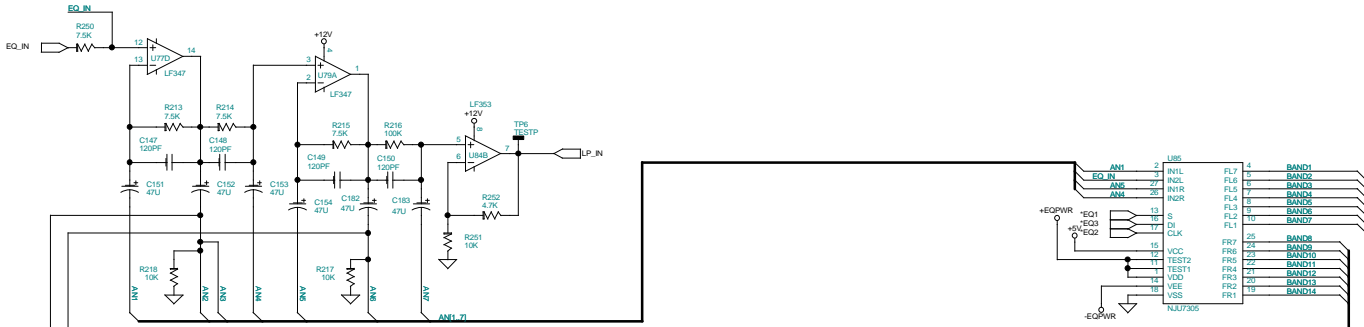


Digitech			
5639 So. Riley Lane Salt Lake City, Utah 84107			
File: RP-1 MAIN BOARD (INPUT, GATE, FX LOOP)			
Size B	Document Number RP-1A/AAG.SCH	Rev	A10
Date: Tuesday, December 12, 2000	Sheet 6	of	10

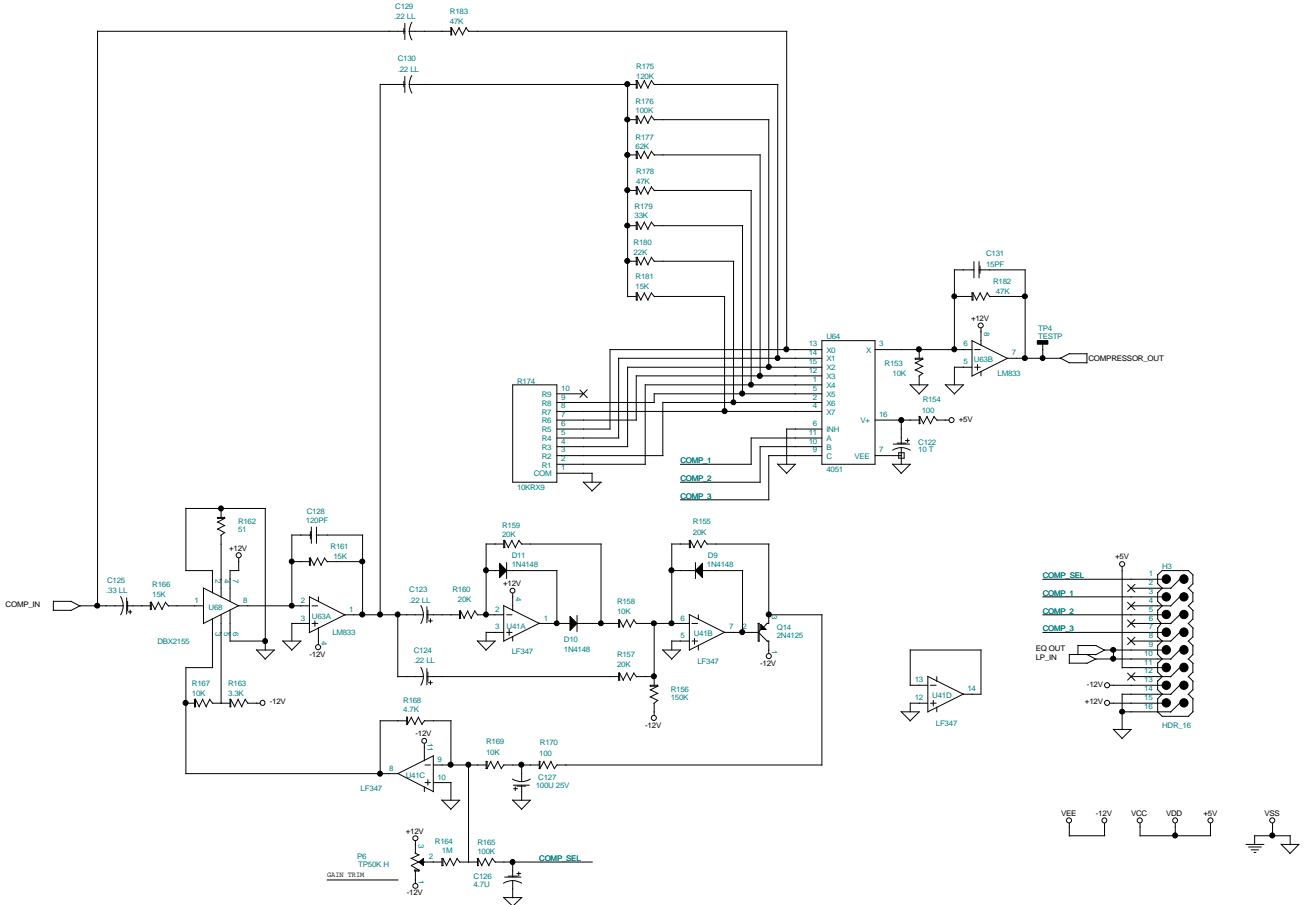


DigTech
 9639 So. Riley Lane
 Salt Lake City, Utah 84107

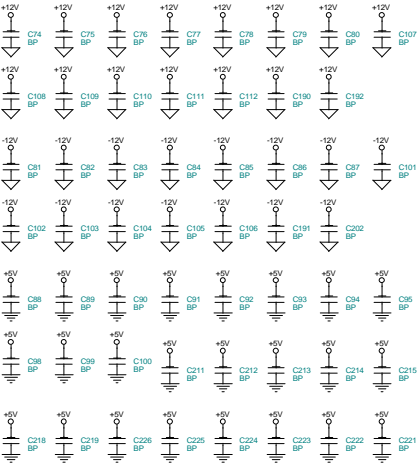
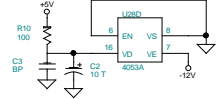
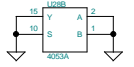
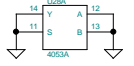
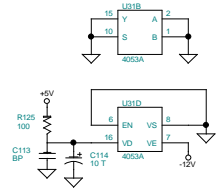
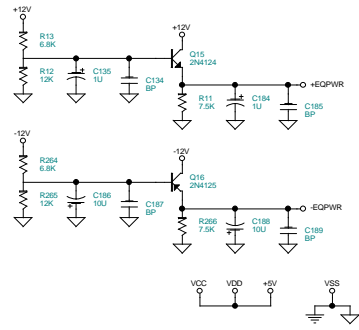
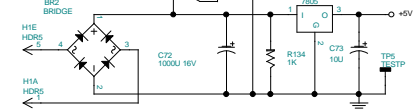
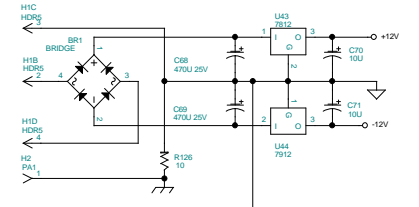
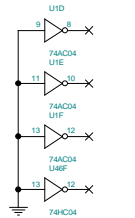
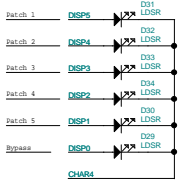
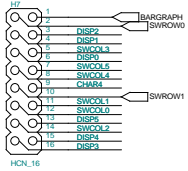
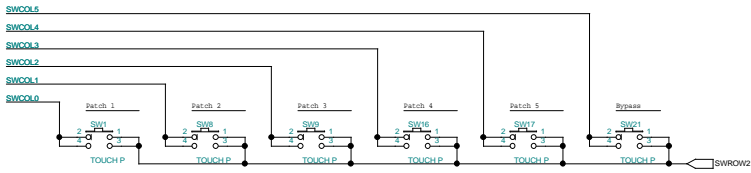
File	RP-1 MAIN BOARD (DISTORTION)	Rev	A10
Size	Document Number		
B	RP1MAA07.SCH		
Date:	Tuesday, December 12, 2000	Sheet	7 of 10



BOO Electronics, Inc.		
8638 So. Riley Lane Salt Lake City, Utah, 84107		
File: RP-1 MAIN BOARD (GRAPHIC EQ)		
Size: B	Document Number: RPNMAINB.SCH	New: No
Date: Tuesday, December 12, 2000	Sheet: 8	of 10



Digitech 8639 So. Riley Lane Salt Lake City, Utah 84107		
Title RP-1 MAIN BOARD (COMPRESSOR)		
Scale B	Document Number RP1MAAGS.SCH1	Rev A10
Date: Tuesday, December 12, 2000	Sheet 9	of 10



REF.	VALUE	DESCRIPTION
807	USED	
C137	100K	RES
C192	201	RES
C203	201	RES
S12	28	DIODE
H4	5	RES
P4		RES
Q3	7	RES
R14	17, 23, 24	RES
R76	80	RES
R114	217	RES
R141	143, 171, 173	RES
R184	212, R253	RES
R267	7, 10, 15	RES
TP1		RES
U17	19, 24, 26	RES
U40	42, 53, 54	RES

DigiTech		
5639 So. Riley Lane Salt Lake City, Utah 84107		
File	RP-1 MAIN BOARD (POWER, SWITCHS)	LAST REF.
Size	Document Number	
Sheet	RP1MAA10.SCH	14
Date:	Tuesday, December 12, 2000	Sheet 10 of 10