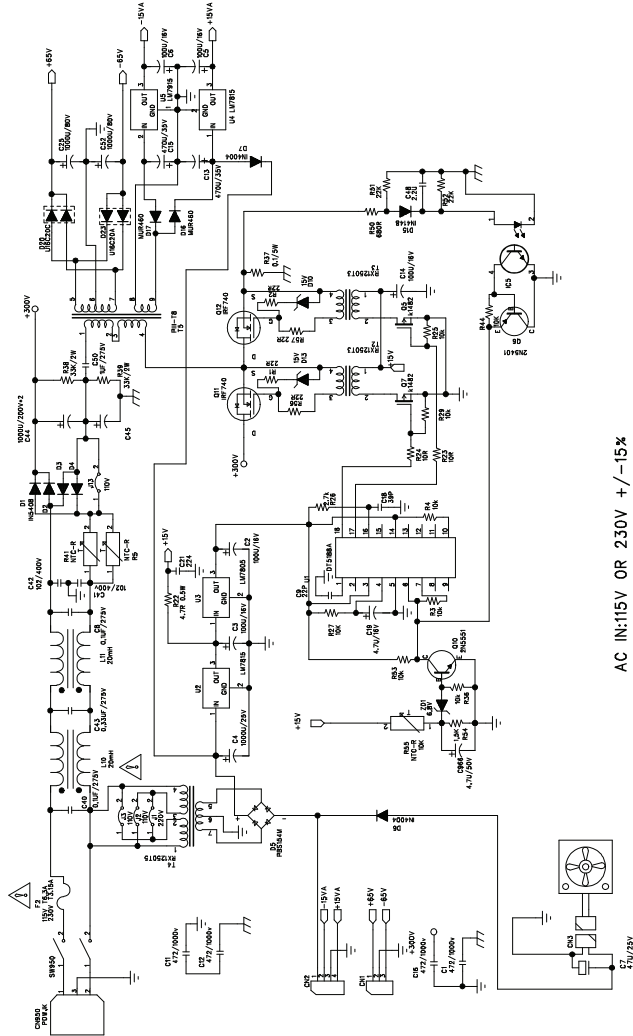


# 5.SCHEMATIC DIAGRAM(AMP)

**SVP-12PM**



AC IN:115V OR 230V +/-15%      +/-15V    1.5A  
 DC OUT:+/-65V    500W

⚠ Adjacent to the relevant component denoting specific component shall be replaced only by the component specified in the circuit for safety reasons.

Note: Damage requiring service ,unplug this product form the wall outlet and refer servicing to qualified service personnel. When replacement parts are required ,be sure the service technician has used replacement parts specified by the manufacturer or have the same characteristics as the original parts. Unauthorized substitutions may result in fire, electric shock ,or other hazards .Upon completion of any service or repairs This product,ask the service technician to perform safety checks to determine that the product is in proper operating condition.

|                              |                 |
|------------------------------|-----------------|
| SANECORE MUSIC INSTR CO.,LTD |                 |
| TITLE: SVP15P/15PB/18PB      |                 |
| MODEL:C-334                  | DWG No:C-334    |
| CHK: DX                      | DATE:2004.02.09 |
| APR:                         | DATE:           |