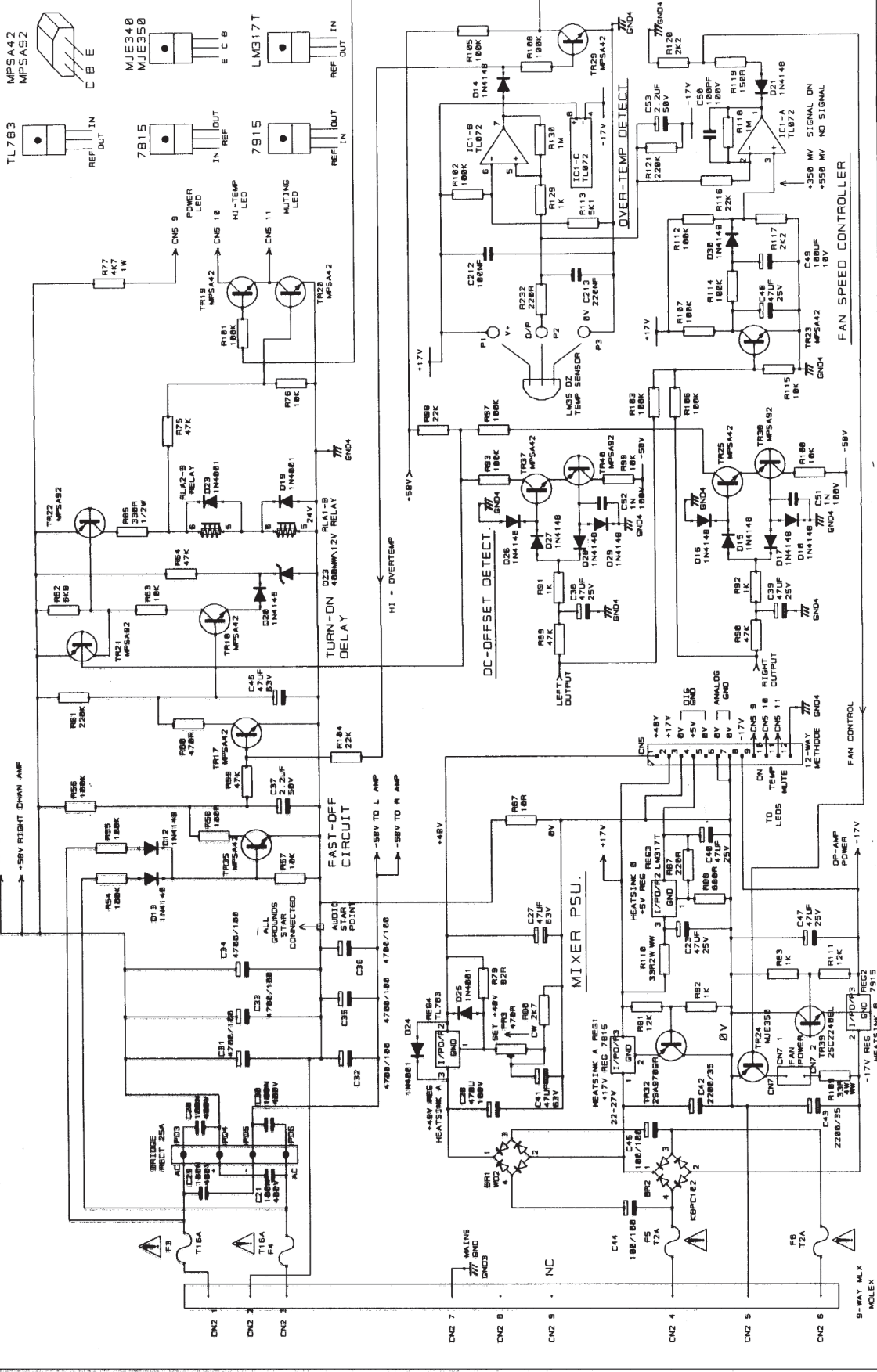


DRWG NO. ED 3312C



DRWG NO. ED 3312C	DRG NO. ED 3312C	TITLE STEREO AMPLIFIER PROTECTION SYSTEM
NOTES SOUNDCRAFT OWNS THE COPYRIGHT OF THIS DRAWING WHICH IS NOT TO BE COPIED, REPRODUCED OR DISCLOSED, IN PART OR IN WHOLE TO A THIRD PARTY WITHOUT WRITTEN PERMISSION	NOTES SOUNDCRAFT INDUSTRIES LTD. CHANDON ROAD, HEATHING HILL, WIMBORNE, DORSET, ENGLAND TEL: 01787 655888 FAX: 01787 658482	DS