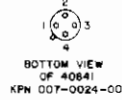
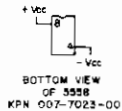
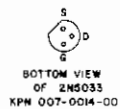


SPECIAL EFFECTS & FUZZ W/SELECTIVE BOOST PC5069

NOTES

1. ALL RESISTORS ARE 1/2W, 10%, UNLESS NOTED
2. ALL CAPACITOR VALUES ARE IN MICROFARADS, UNLESS NOTED
3. ALL DIODES ARE KPN 007-6016-00, UNLESS NOTED
4. ALL TRANSISTORS ARE KPN 007-0007-00, UNLESS NOTED.
5. VOLTAGE MEASUREMENTS ARE WITH POWER ON, ALL CONTROLS MINIMUM, NO SIGNAL, NO LOAD AND MEASURED FROM COMMON GROUND



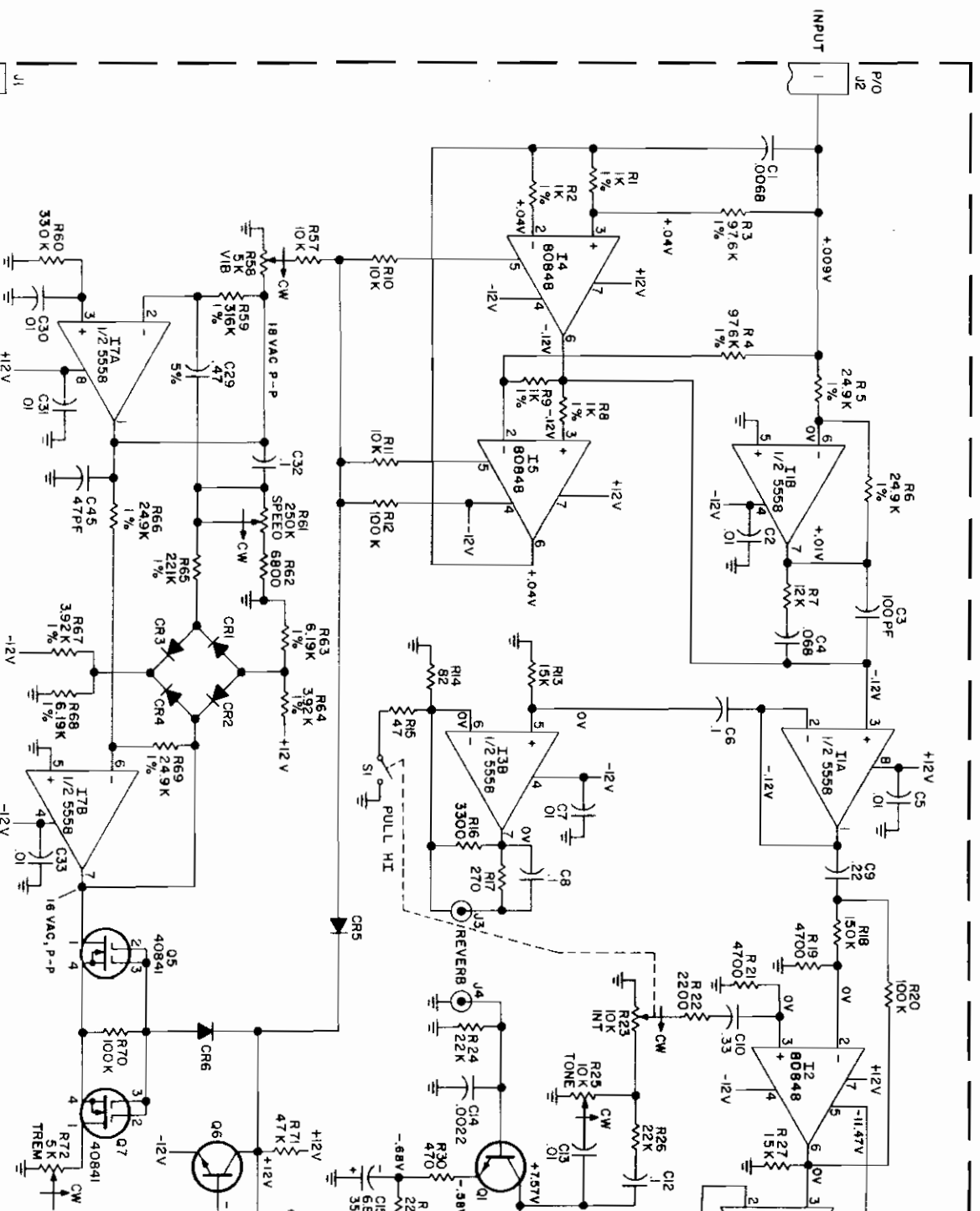
SYMBOL	KUSTOM PART NO
CR10 & CR11	007-6020-00
Q5	007-0009-00
J1	030-2034-00
J2	030-2040-00
J3 & J4	030-1003-00
S2	031-0034-00
R23 & S1	133-0056-00
R25, R45, R95	133-0022-00
R58 & R72	133-0059-00
R61	133-0058-00
R61 & S3	133-0050-00

F19

REV	DATE	BY	DESCRIPTION
1	8-7	JLS	
2	8-7	JLS	
3	8-7	JLS	
4	8-7	JLS	
5	8-7	JLS	
6	8-7	JLS	

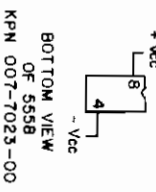
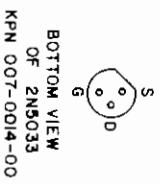
REV	PART NUMBER	DESCRIPTION	ITEM
Kustom ELECTRONICS, INC. CHANDLER, KAN 66720			
DRN	JLS	DATE 7-71	TOLERANCES NONE MATERIAL NONE
CHK		DATE	
ENGR		NAME	SCHEMATIC DIAG
			SPECIAL EFFECTS, FUZZ, BOOST
SCALE	NONE	SHT OF	PART NUMBER 002-5069-00

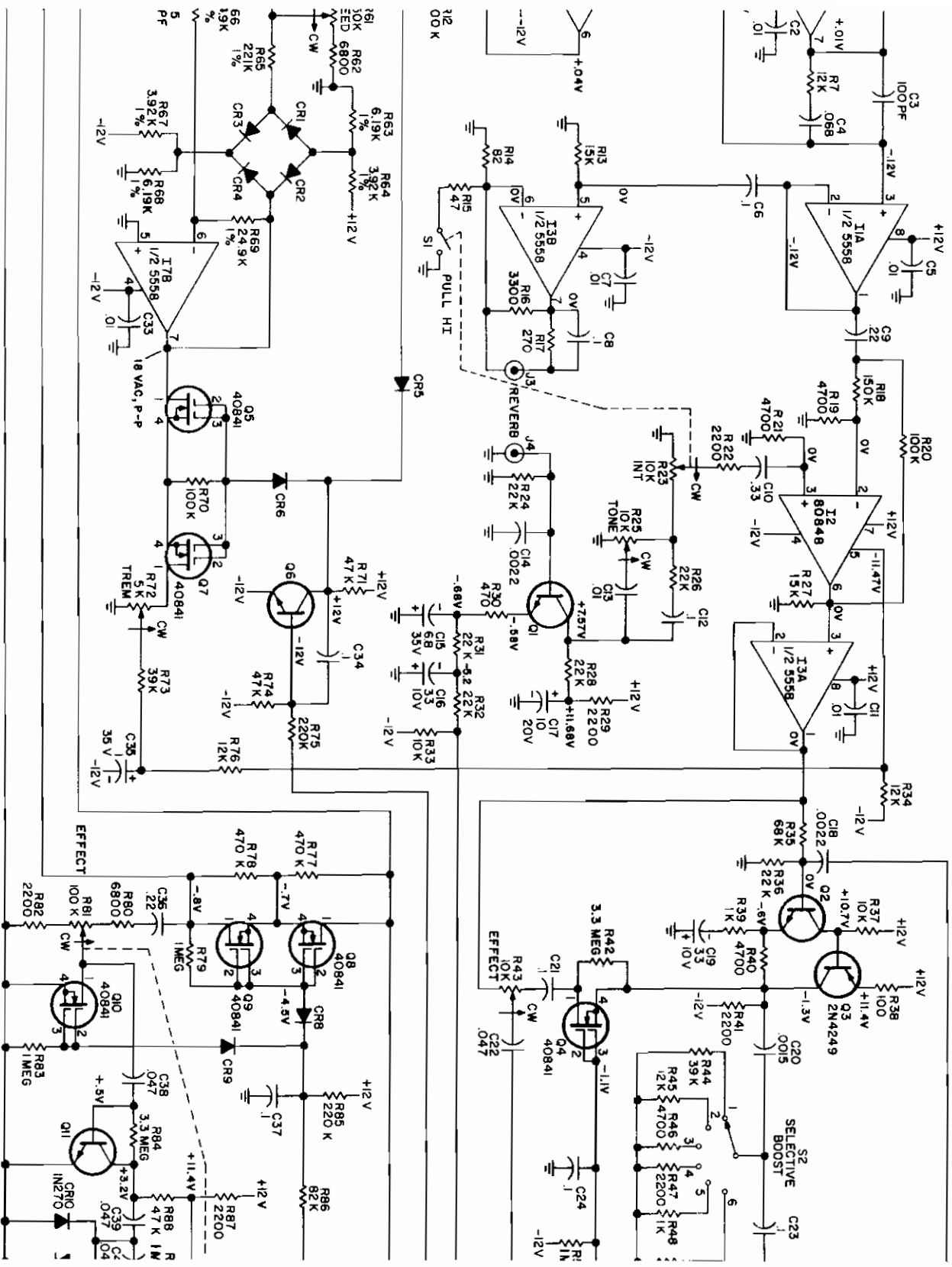
TO PRE-AMP 1
 FROM PRE-AMP 2
 PRE-AMP GND 3



SPECIAL EFFECTS & FUZZ W/SELECTIVE BOOST PC5069

- NOTES:
1. ALL RESISTORS ARE 1/2W, 10%, UNLESS NOTED.
 2. ALL CAPACITOR VALUES ARE IN MICROFARADS.
 3. ALL DIODES ARE KPN 007-6016-00, UNLESS NOTED.
 4. ALL TRANSISTORS ARE KPN 007-0007-00, UNLESS NOTED.
 5. VOLTAGE MEASUREMENTS ARE WITH POWER ON, ALL CONTROLS MINIMUM, NO SIGNAL, NO LOAD AND MEASURED FROM COMMON GROUND

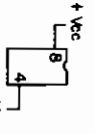




W/SELECTIVE BOOST PC5069



BOTTOM VIEW
OF 2N5033
KPN 007-0014-00



BOTTOM VIEW
OF 555B
KPN 007-7023-00



BOTTOM VIEW
OF 40841
KPN 007-0024-00

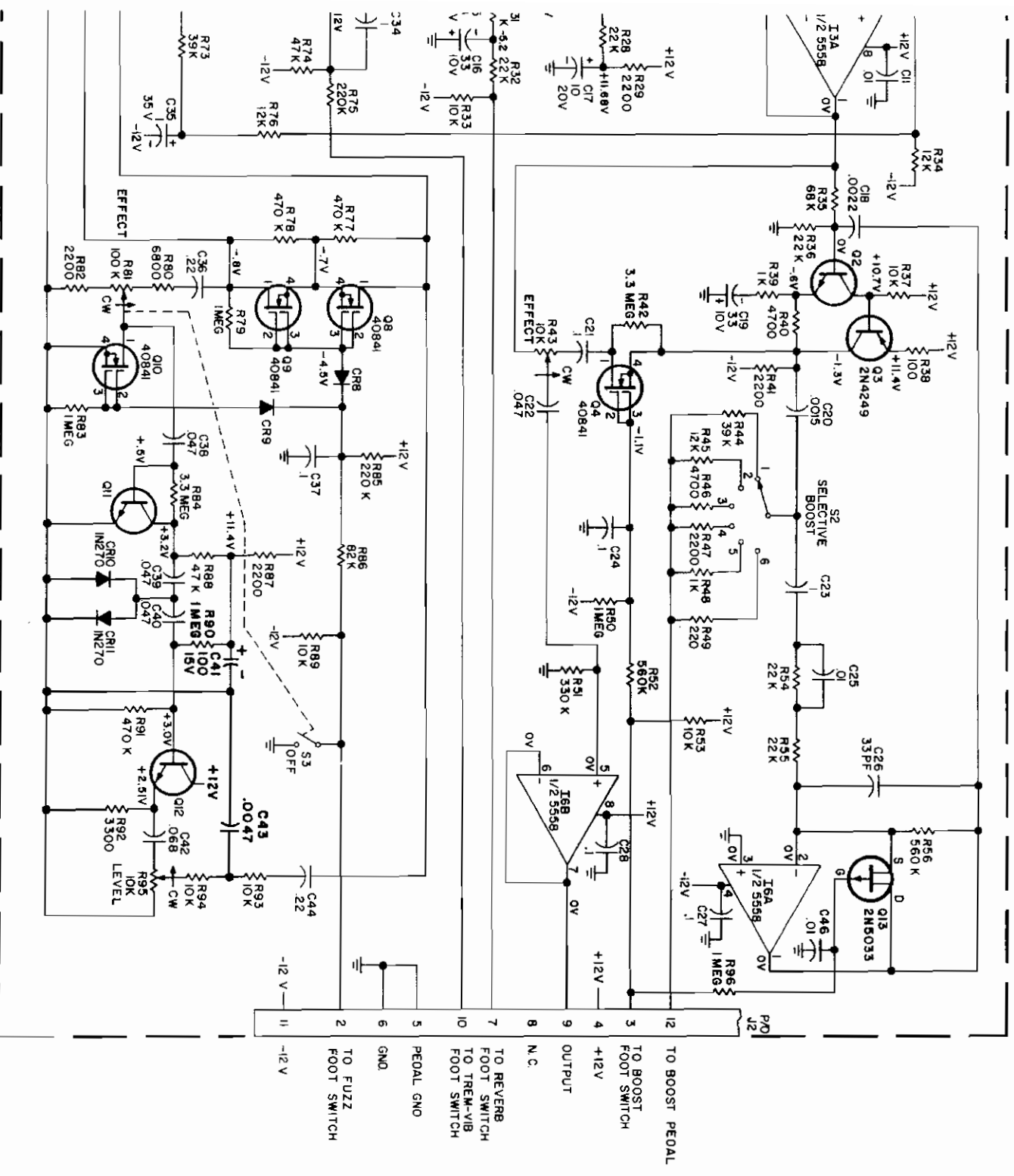


BOTTOM VIEW
OF 80848
KPN 007-7041-00

SYMBOL	KUSTOM PA1
CR10 & CR11	007-602C
Q3	007-0005
J1	030-2034
J2	030-204C
J3 & J4	030-1002
S2	031-0034
R23 & S1	133-003F
R25, R43, R95	133-0022
R58 & R72	133-0035
R61	133-003C
R81 & S3	133-005C

REV	CO NO	DATE	BY
1	544	8-71	JTS
2	563	9-71	JTS
3	578	9-71	JTS
4	594	10-71	JTS

RED



BOTTOM VIEW OF 40841 KPM 007-0024-00
 BOTTOM VIEW OF 80848 KPM 007-7041-00

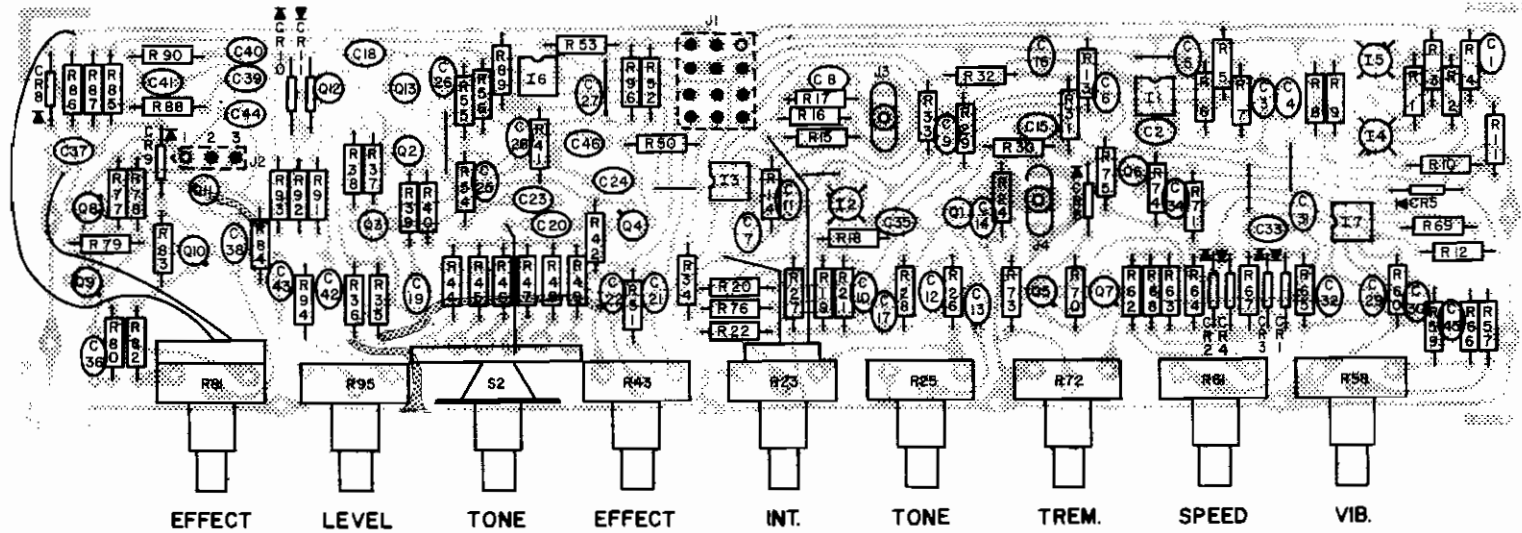
SYMBOL	KUSTOM PART NO.
CR10 & CR11	007-6020-00
Q3	007-0009-00
Q1	030-2034-00
J1	030-2040-00
J2	030-1003-00
J3 & J4	031-0034-00
S2	133-0036-00
R23 & S1	133-0022-00
R25, R43, R95	133-0039-00
R58 & R72	133-0038-00
R61	133-0030-00

REV	CO NO	DATE	BY
1	544	8-71	JTS
2	563	9-71	JTS
3	578	9-71	JTS
4	594	10-71	JTS
5	621	11-71	JTS

REV	DATE	BY	DESCRIPTION	ITEM
1	7-71	JTS	SCHEMATIC DIAG.	
2			SPECIAL EFFECTS, FUZZ, BOOST	

Kustom Electronics, Inc.
 CHANDLER, KAN. 66720

PART NUMBER: 002-5069-00
 SCALE: 1/1
 NAME: SCHEMATIC DIAG. SPECIAL EFFECTS, FUZZ, BOOST

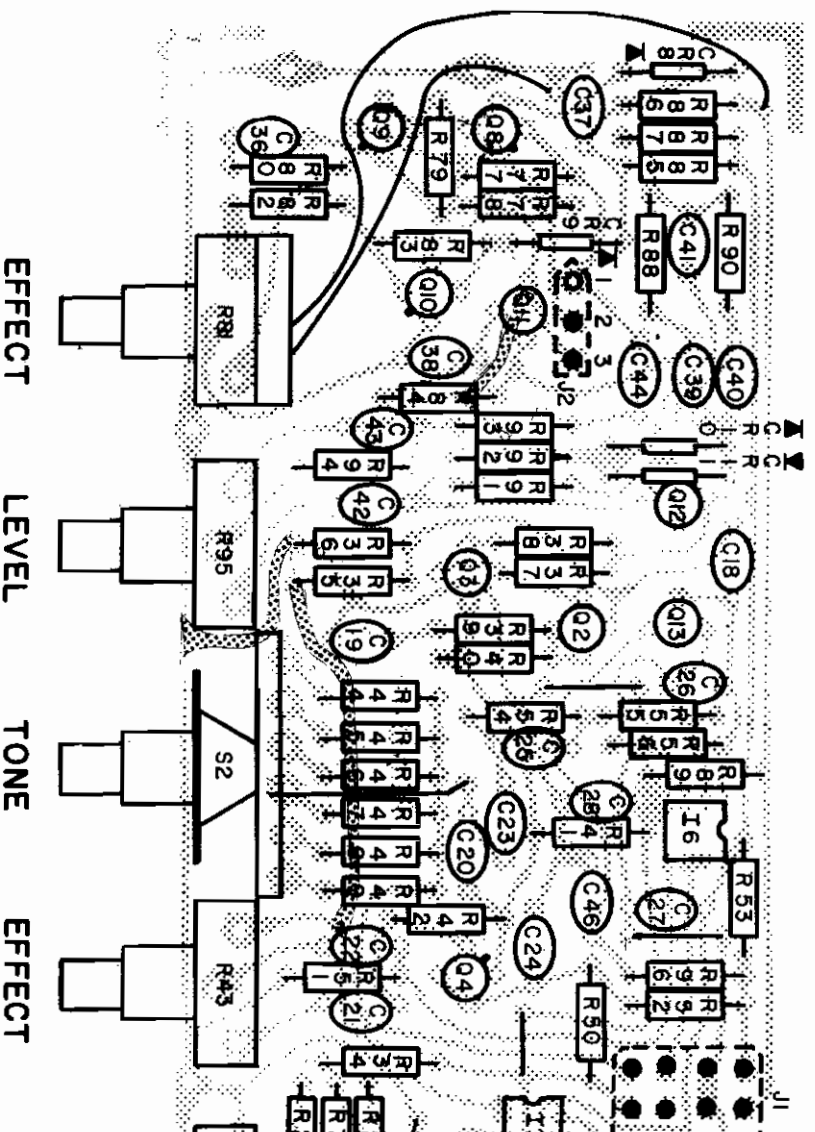


- J1
1. INPUT
 2. FUZZ FOOT SWITCH
 3. BOOST FOOT SWITCH
 4. +12V
 5. PEDAL GND.
 7. REVERB FOOT SWITCH
 8. N.C.
 9. OUTPUT
 10. TREM.-VIB. FOOT SWITCH
 11. -12V
 12. WA-WA PEDAL

- J2
1. PRE-AMP
 2. FROM PRE-AMP
 3. PRE-AMP GND.

F20

REV		NO		DATE		BY		Kustom. ELECTRONICS, INC. CHANUTE, KANSAS 66720								
1	563	9-71	JTS					DRN	JLS	DATE	10-71	TOLERANCES	NONE	MATERIAL	NONE	
2	578	10-71	JTS					CHK	J.L.	DATE	10-71	NAME SPECIAL EFFECTS, FUZZ, BOOST PC5069				
3	621	11-71	JTS					ENGR	J. Spait	SCALE	NONE	SHT	OF	1	PART NUMBER	300-5069-00



J1

1. INPUT
2. FUZZ FOOT SWITCH
3. BOOST FOOT SWITCH
4. +12V
5. PEDAL GND.
7. REVERB FOOT SWITCH
8. N.C.
9. OUTPUT
10. TREM.-VIB. FOOT SWITCH
11. -12V
12. WA-WA PEDAL

J2

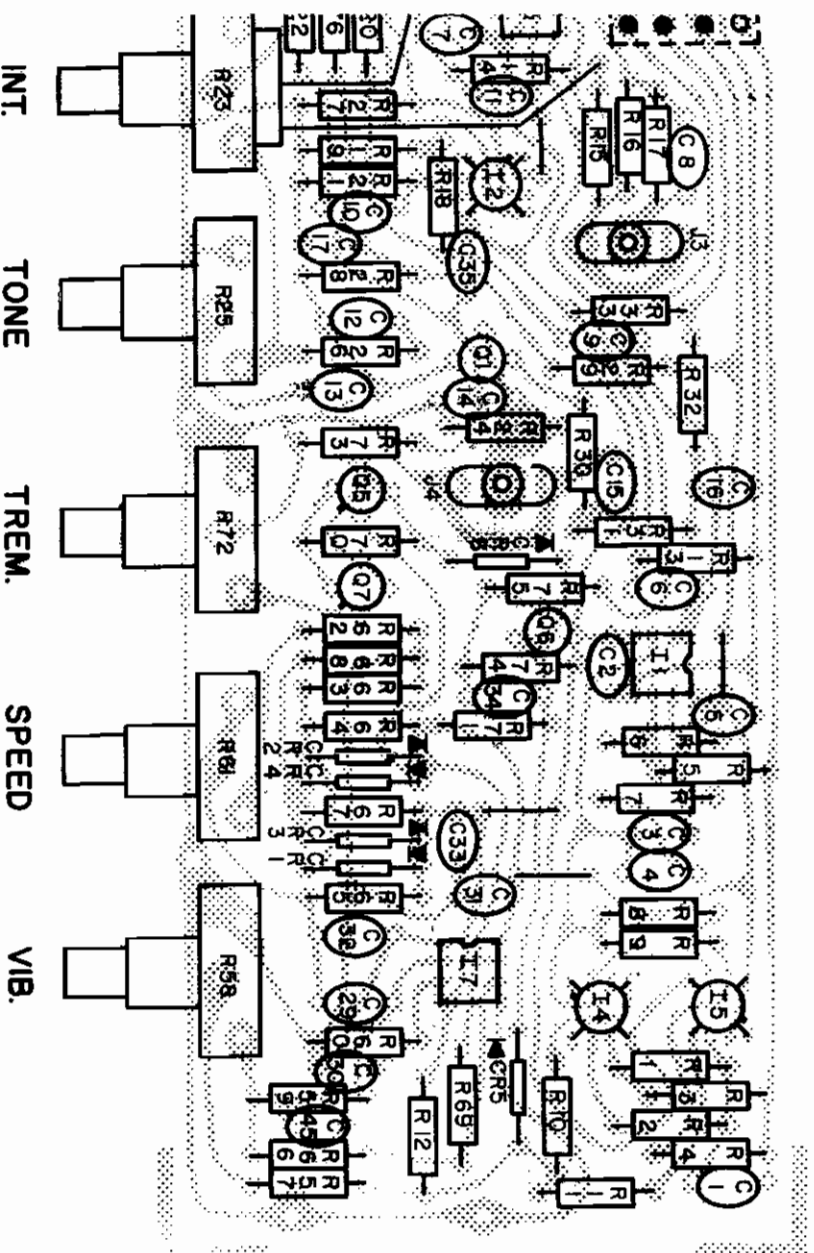
1. PRE-AMP
2. FROM PRE-AMP
3. PRE-AMP GND.

EFFECT

LEVEL

tone

EFFECT



REV	C O NO	DATE	BY
1	563	9-71	JTS
2	578	10-71	JTS
3	621	11-71	JTS

Custom. ELECTRONICS, INC. CHANUTE, KANSAS 66720		DRN	JLS	DATE	10-71	TOLERANCES	NONE	MATERIAL	NONE
		CHK	J.S.	DATE	10-71	NAME SPECIAL EFFECTS, FUZZ,			
ENGR		G. Davis		BOOST		PC5069			
SCALE	NONE	SHT	OF	PART NUMBER					
		300-5069-00							