

SERVICE MANUAL

acoustic

G120-112

Same as G120-212

acoustic control corporation

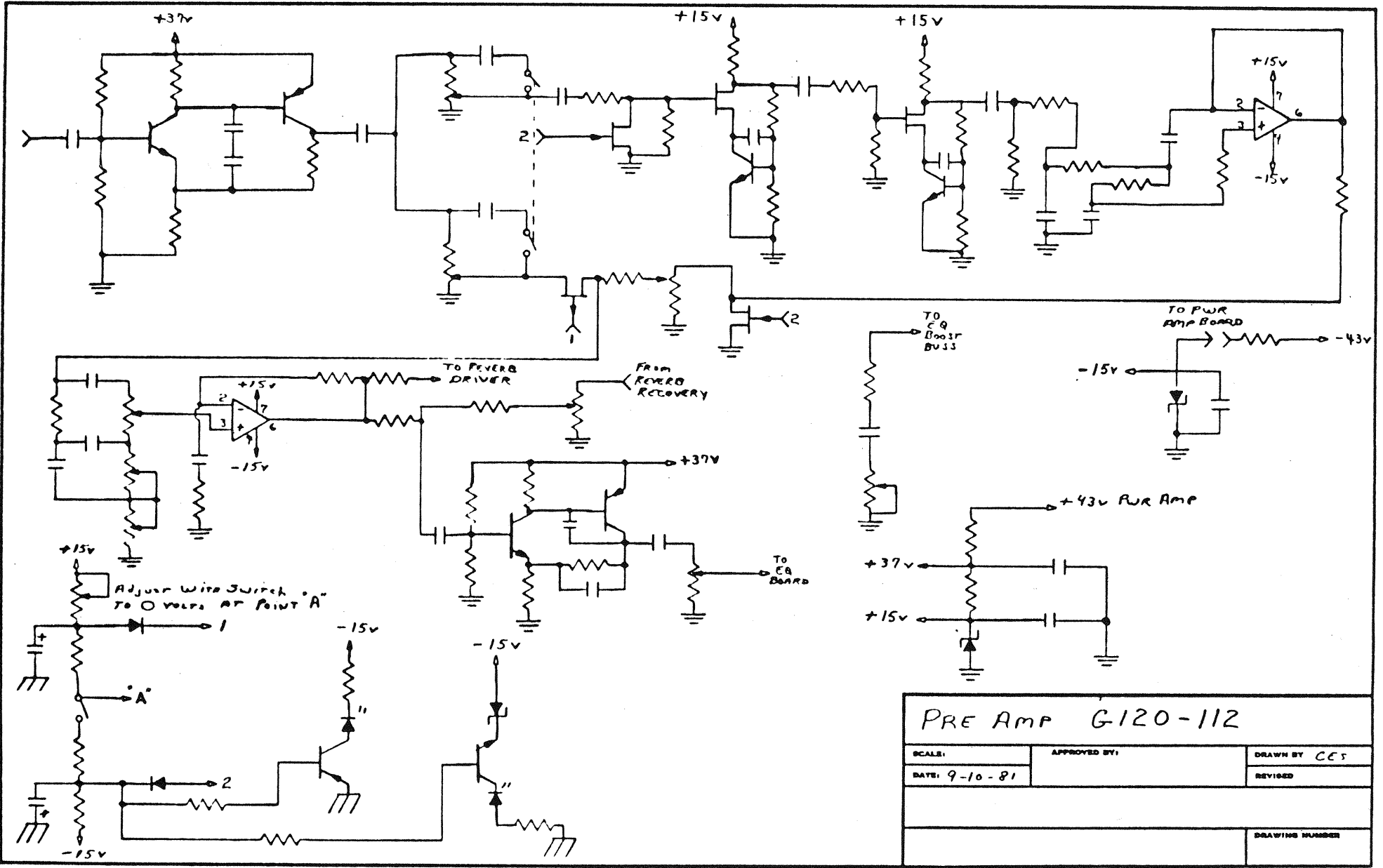
7949 WOODLEY AVENUE
VAN NUYS, CA 91406
(213) 997-6631

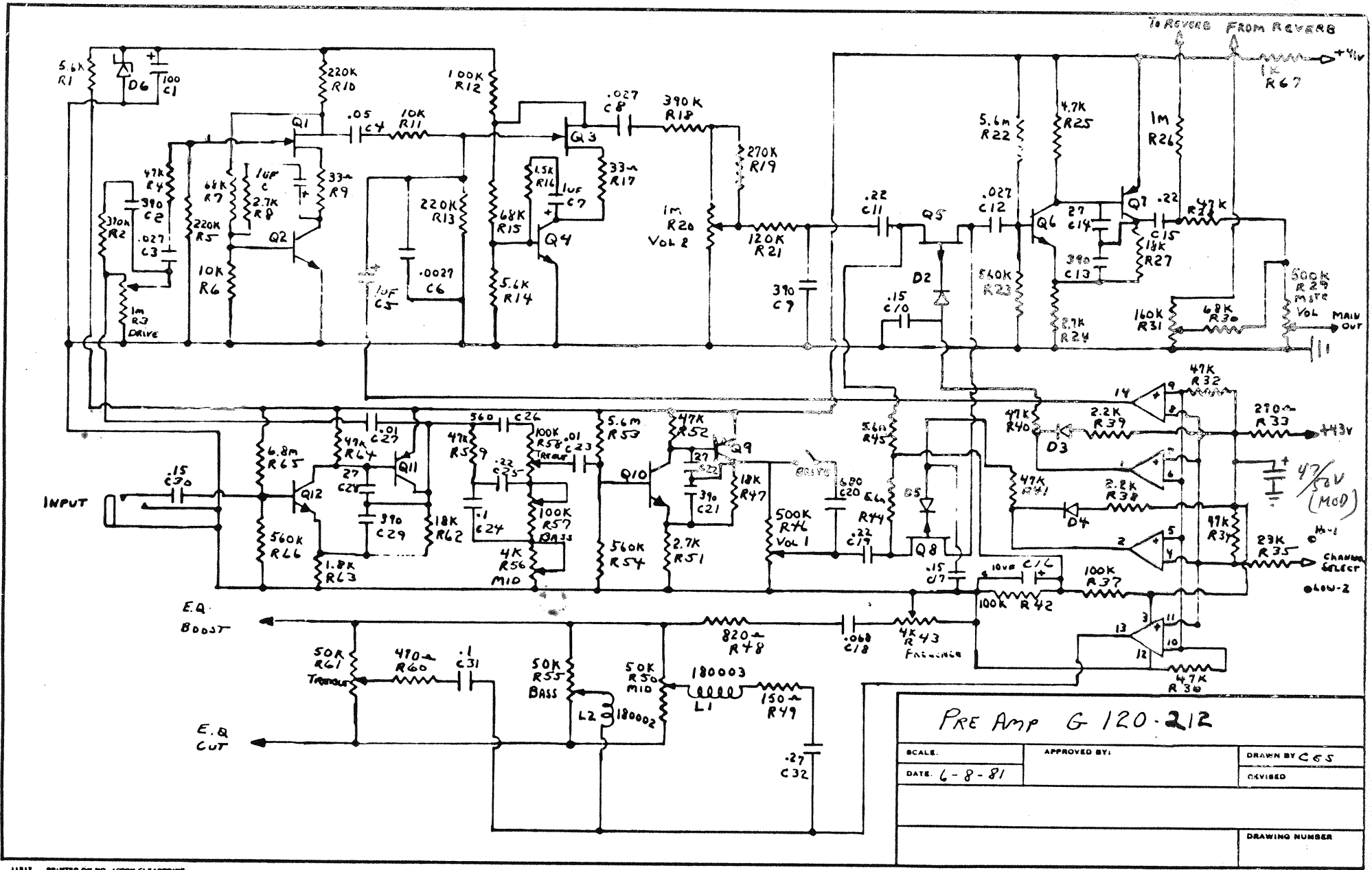
G120-112

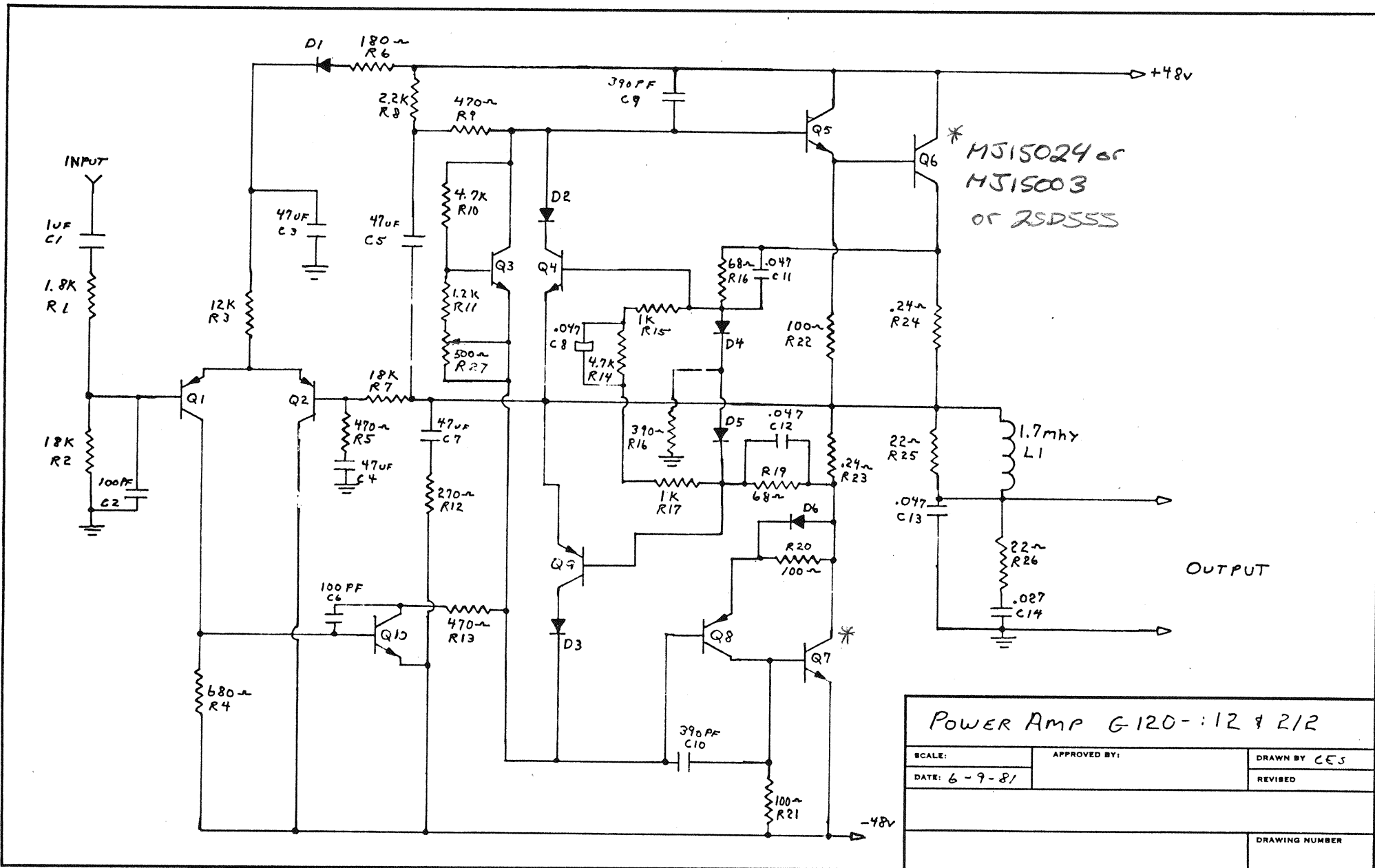
I. GENERAL INFORMATION

B. Specifications

1. Power Output -- 120 Watts RMS @ 5% THD into 4 ohms
2. Sensitivity @ 1KHZ for full output
 - Volume One Mode -- approximately 40 mv
 - Volume Two Mode -- approximately 1.5 mv
 - Power Amp In -- approximately 600 mv
3. Signal to Noise Ratio
 - Volume One Mode -- approximately 60db
 - Volume Two Mode -- approximately 50db







Power Amp G-120-:12 & 2/12

SCALE:	APPROVED BY:	DRAWN BY CES
DATE: 6-9-81		REVISED
		DRAWING NUMBER