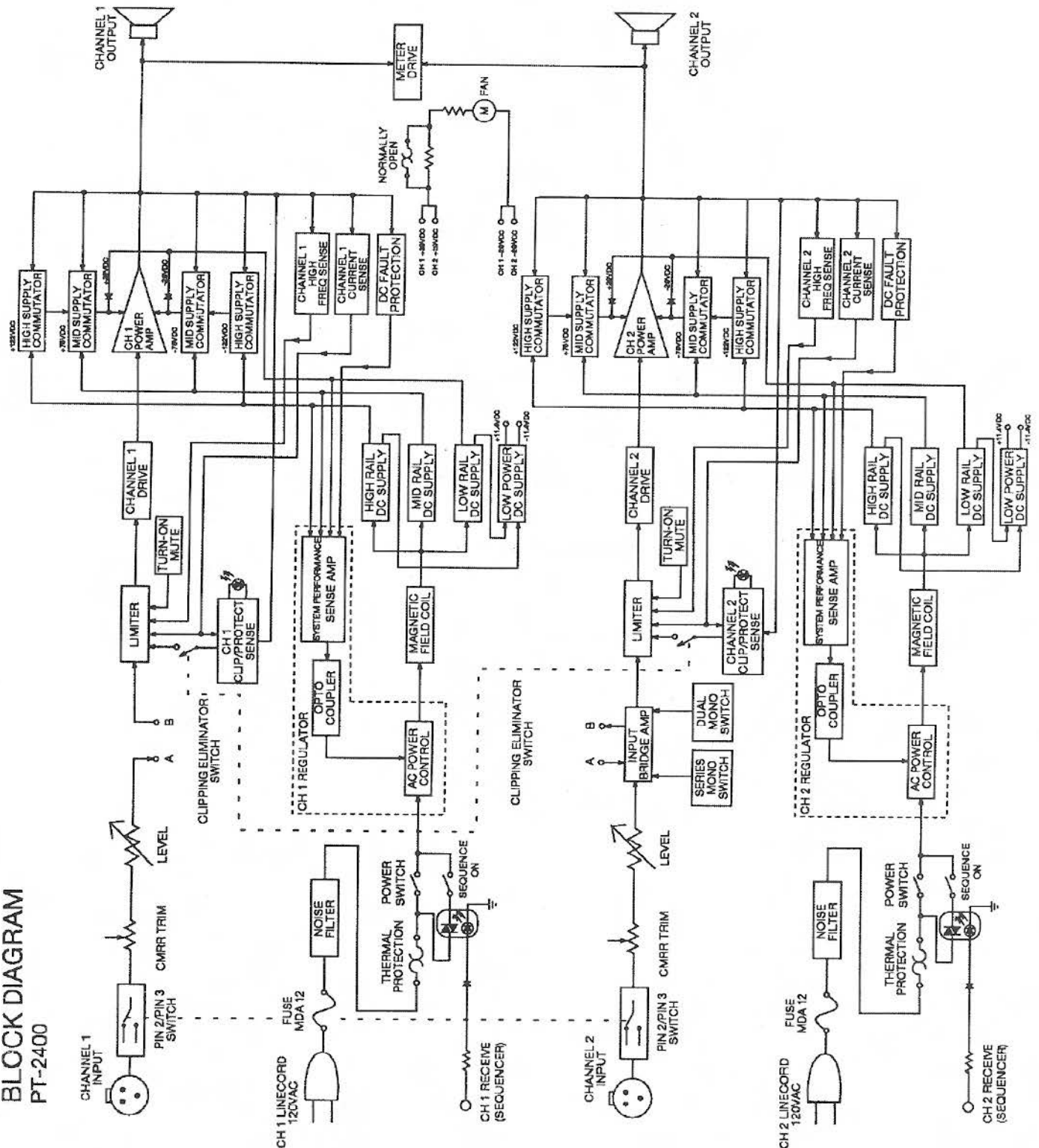


BLOCK DIAGRAM PT-2400

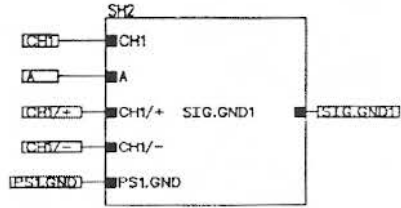
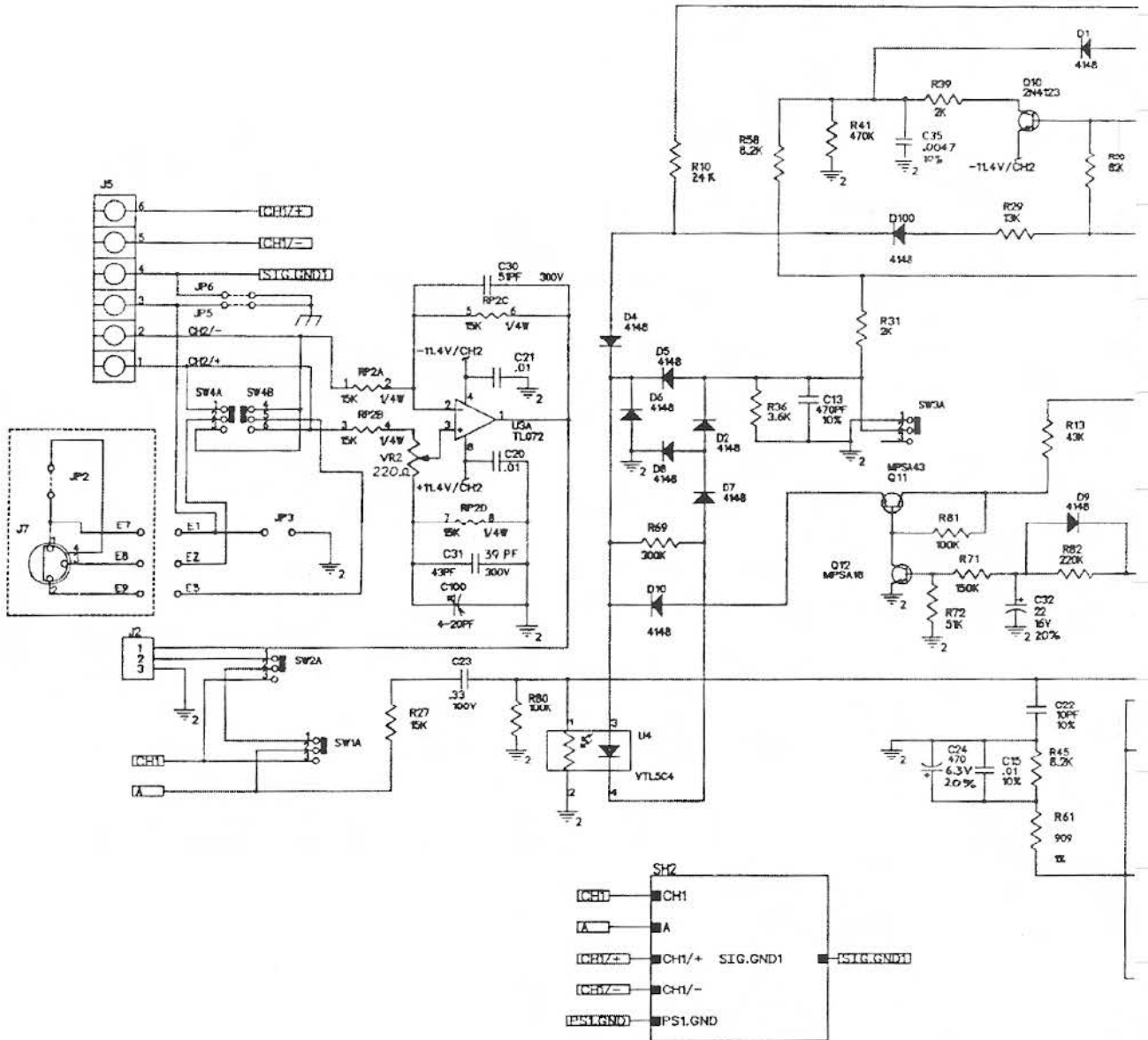


D

C

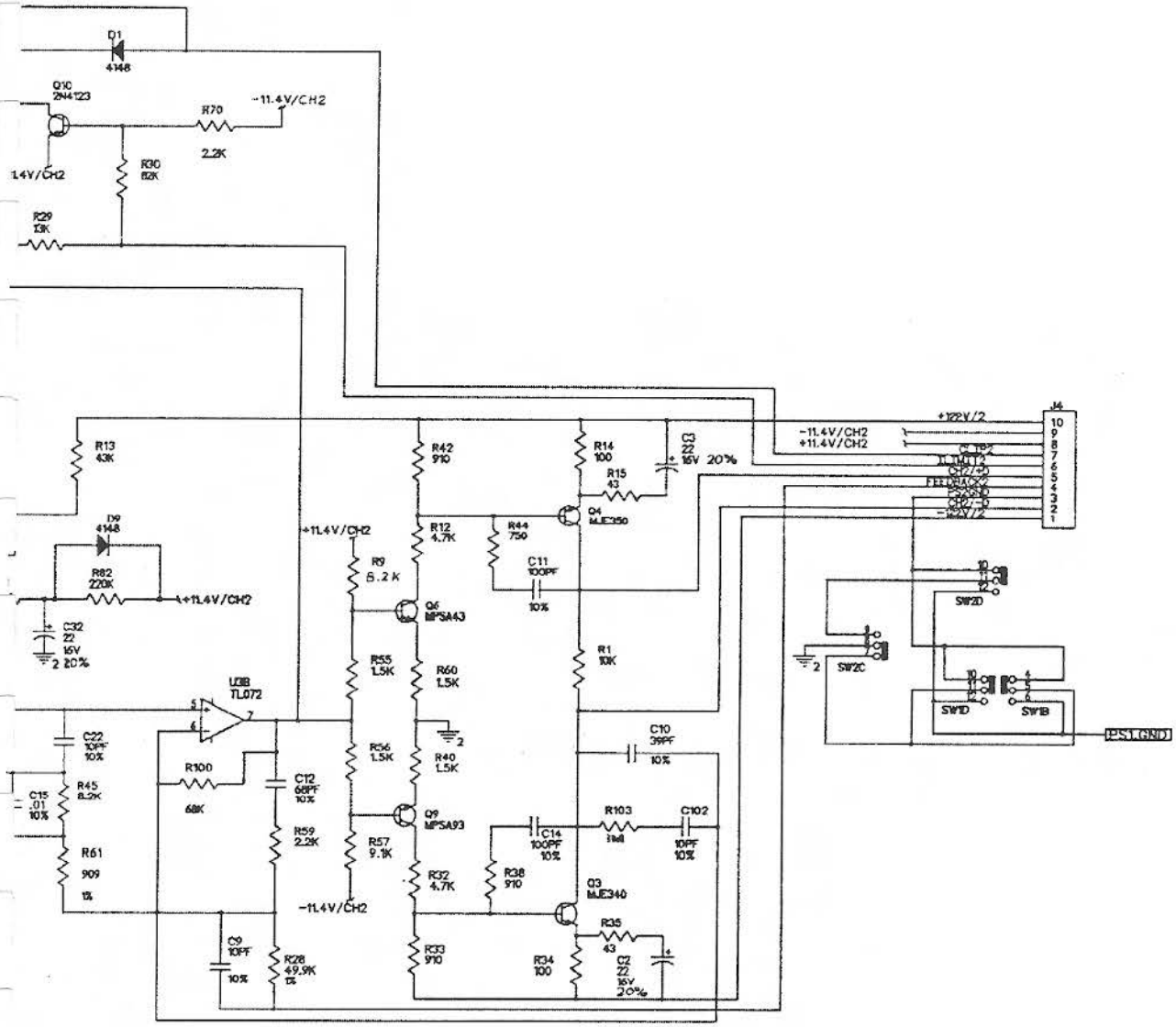
B

A



VR2	R6, 11, 17, 20, 37, 43, 75, 77-79, 84-87, 89, 90, 95-99
LS	
SW4	
R104	
RP2	
O14	
J7	
JP6	
E12	D19-99
O101	C42-99
C103	
LAST USED	NOT USED

REFERENCE DESIGNATORS



CHANNEL 2

2. ALL CAPACITORS ARE IN MICROFARADS. 5%
1. ALL RESISTOR VALUES ARE IN OHMS, 1/4W. 5%

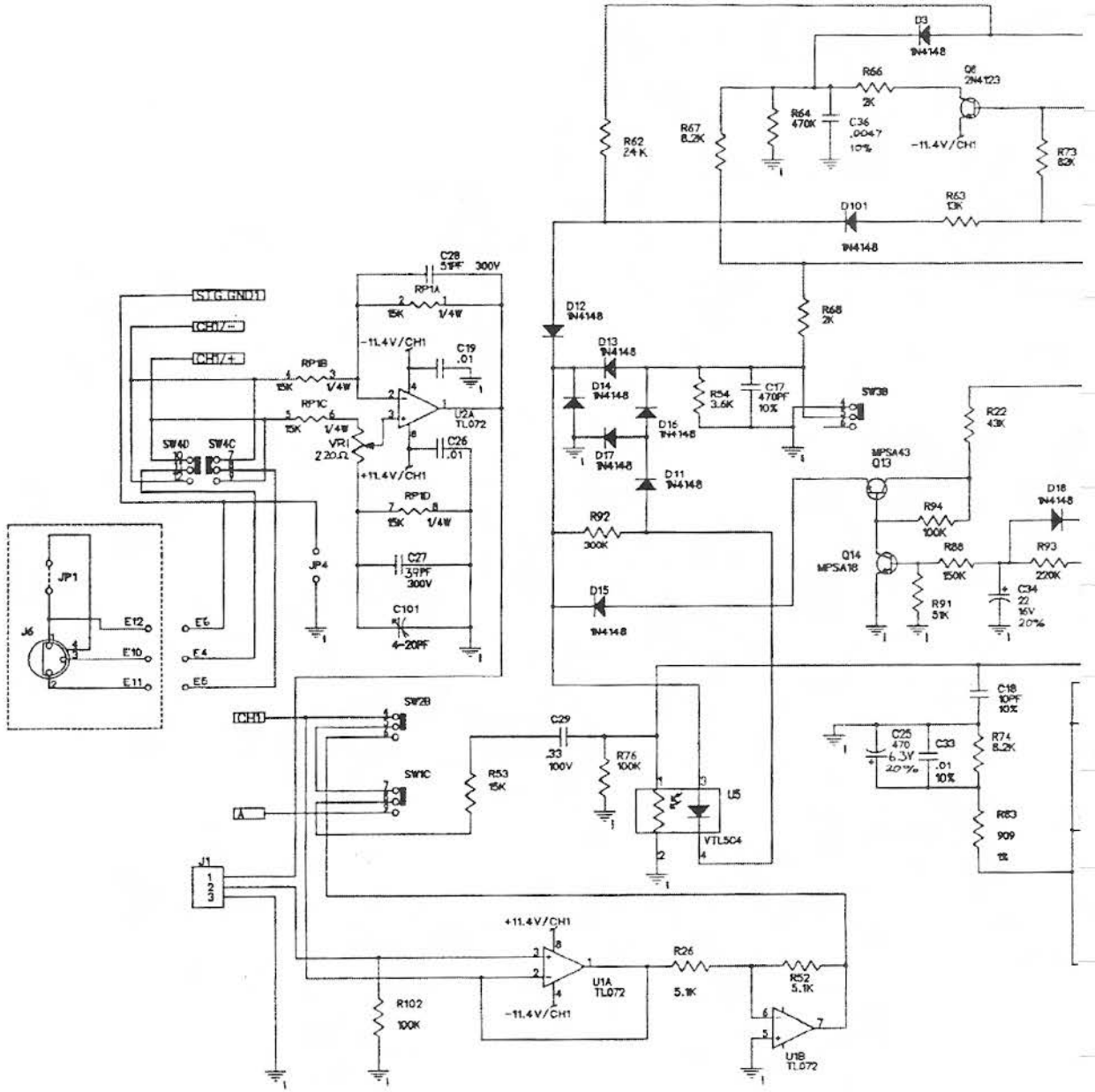
NOTES: UNLESS OTHERWISE SPECIFIED

17,20,37,43,75,77-79,
7,89,90,95-99

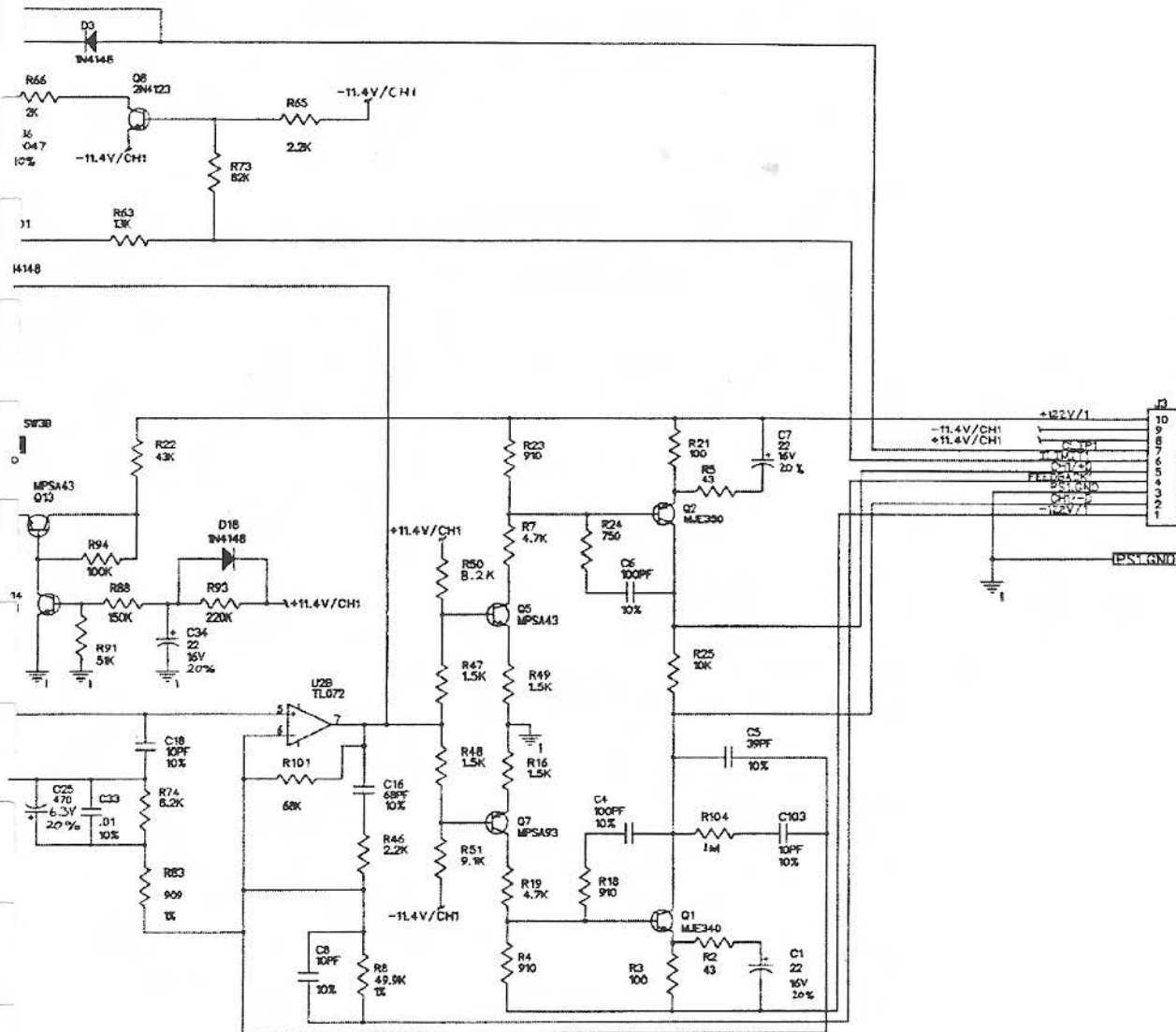
99
99

NOT USED
DESIGNATORS

UNLESS OTHERWISE SPECIFIED DIMENSIONS ARE IN INCHES TOLERANCES ARE: FRACTIONS: DECIMALS: ANGLES: ± / .004 ± 30° ±		CONTRACT NO.:		<h1>CARVER</h1>
MATERIAL:		APPROVALS:	DATE:	
FINISH:		DRAWN:	R. PASCO 12/12/90	SCHEMATIC, INPUT BOARD, PT2400
DD 602-00448-00 PT-2400		CHECKED:	<i>[Signature]</i> 2/5/91	
NEXT ASSEMBLY USED DM		ISSUED:	<i>[Signature]</i> 8/21/91	SIZE: D
APPLICATION		ENG.:	D. GRIFFITHS 2/5/91	DWG. NO. 605-00448-00
DO NOT SCALE DRAWING		REV.:	C	REV. C
		SCALE:	NONE	SHEET 1 OF 2



CHANNEL 1



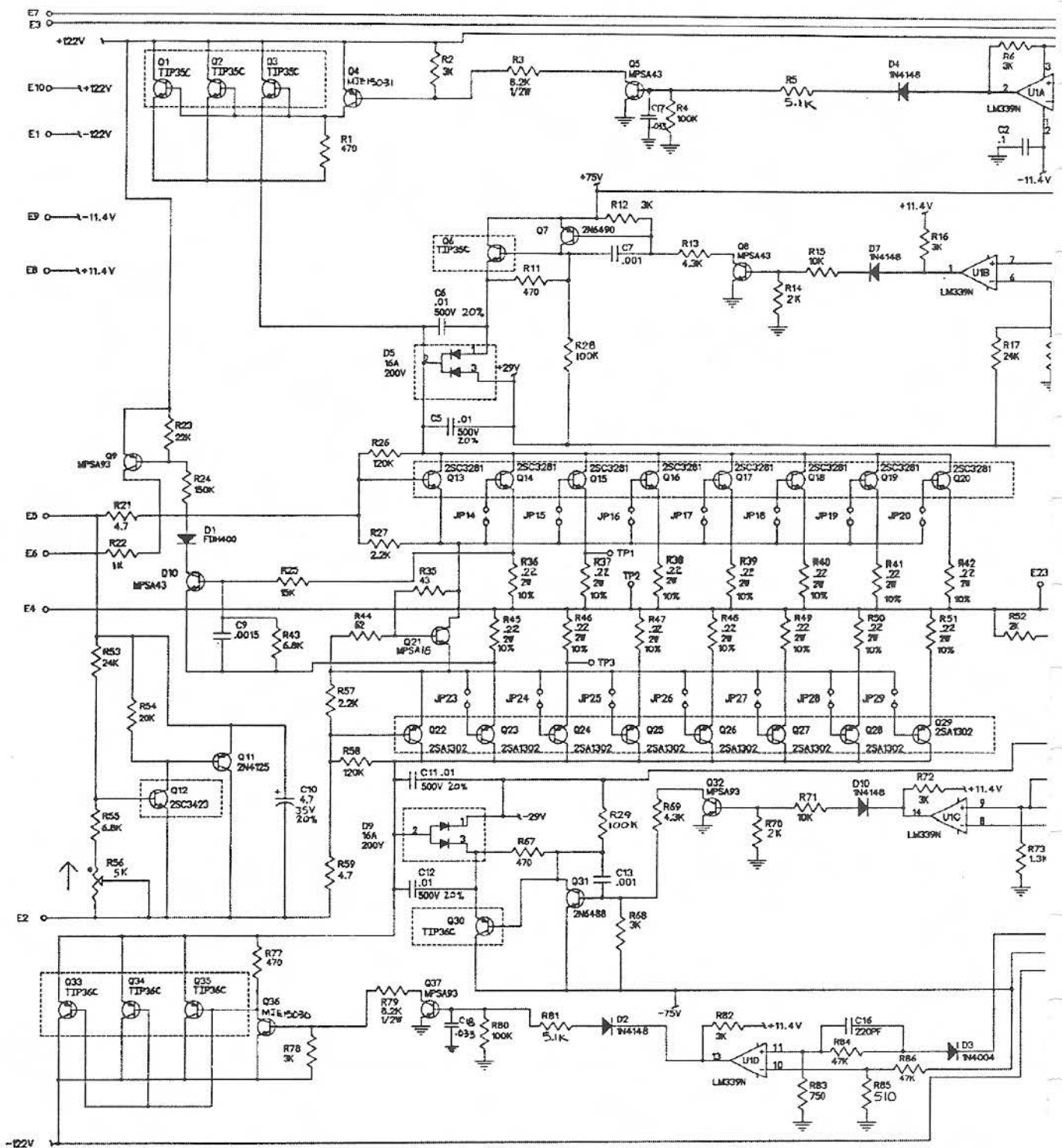
<h1>CARVER</h1>		
SIZE D	DWG. NO. 605-00448-00	REV. C
SCALE NONE	SHEET 2 OF 2	

D

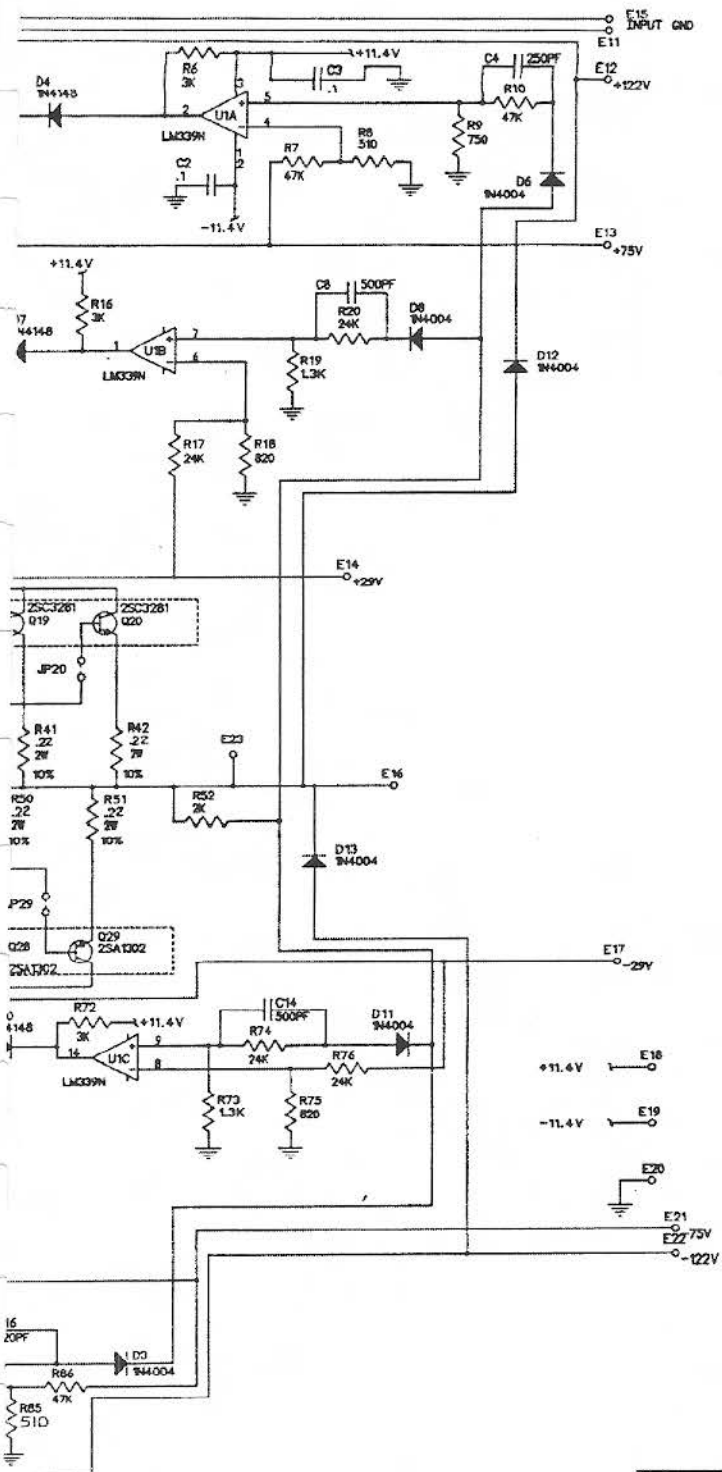
C

B

A



C18	
D13	
E23	
JP29	
D37	
R86	
TP3	
U1	
	JP1-10, 21, 22
	R30-R34, R60-R66
	C1, C15
HIGHEST USED	NOT USED
REFERENCE DESIGNATORS	



2. ALL CAPACITOR VALUES ARE IN MICROFARADS, 10⁻⁶.
 1. ALL RESISTOR VALUES ARE IN OHMS, 1/4W, 5%.

NOTES: UNLESS OTHERWISE SPECIFIED.

22	R60-R66
NOT USED	
INDICATORS	

UNLESS OTHERWISE SPECIFIED DIMENSIONS ARE IN INCHES TOLERANCES ARE: FRACTIONS DECIMALS ANGLES ±.010 ±.005 ±.010 ±.005		CONTRACT NO.:		<h1>CARVER</h1>	
MATERIAL:		APPROVALS:	DATE:		
FINISH:		DRAWN: R. PASCO	12/12/90	SCHEMATIC, AMP BOARD, PT2400	
DO NOT SCALE DRAWING		CHECKED: <i>[Signature]</i>	2/5/91		
APPLICATION		ISSUED: <i>[Signature]</i>	2/19/91	SIZE: D DWG NO. 605-00408-00 REV. F	
NEXT ASSEMBLY: USED ON:		ENGR: D. CAFFEY	2/5/91		

FIG. NO. 605-00465-01

REV. 1 A

1

3

4

5

6

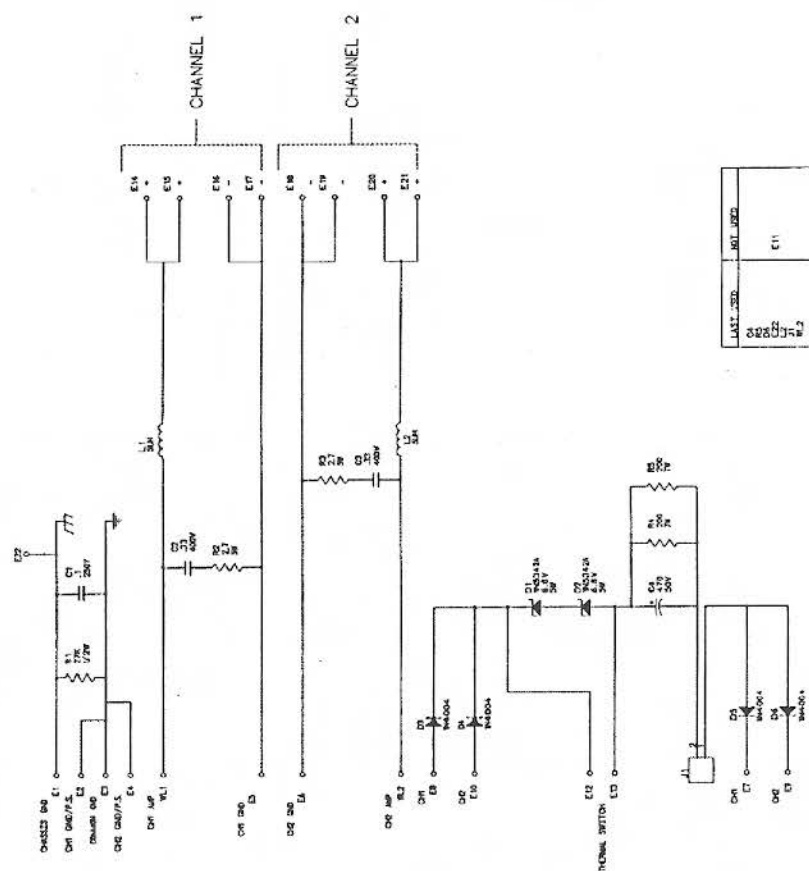
7

8

1

1

NEW VERSION



- 2. ALL CAPACITORS ARE IN MICROFARADS, 10%.
 - 1. ALL RESISTORS ARE IN OHMS.
- NOTES: UNLESS OTHERWISE SPECIFIED

LAST. USED	NOT USED
88888888	C11

UNLESS OTHERWISE SPECIFIED, ALL DIMENSIONS ARE IN INCHES AND DECIMALS THEREOF.	APPROVALS	DATE
MATERIAL	BRANN R. PASCO	4/28/82
	CHECKED	
TESTED	S. VELITZ	
	C.D. GRIFFITHS	
DESIGNED BY		
DRAWN BY		
SCALE	NONE	
DD NOT SCALE DRAWING		

CONTRACT NO.	
PROJECT NO.	
DESCRIPTION	
DATE	
SCALE	
BY	
CHECKED BY	
TESTED BY	
DESIGNED BY	
DRAWN BY	
SCALE	
DD NOT SCALE DRAWING	

UNLESS OTHERWISE SPECIFIED, ALL DIMENSIONS ARE IN INCHES AND DECIMALS THEREOF.	APPROVALS	DATE
MATERIAL	BRANN R. PASCO	4/28/82
	CHECKED	
TESTED	S. VELITZ	
	C.D. GRIFFITHS	
DESIGNED BY		
DRAWN BY		
SCALE	NONE	
DD NOT SCALE DRAWING		

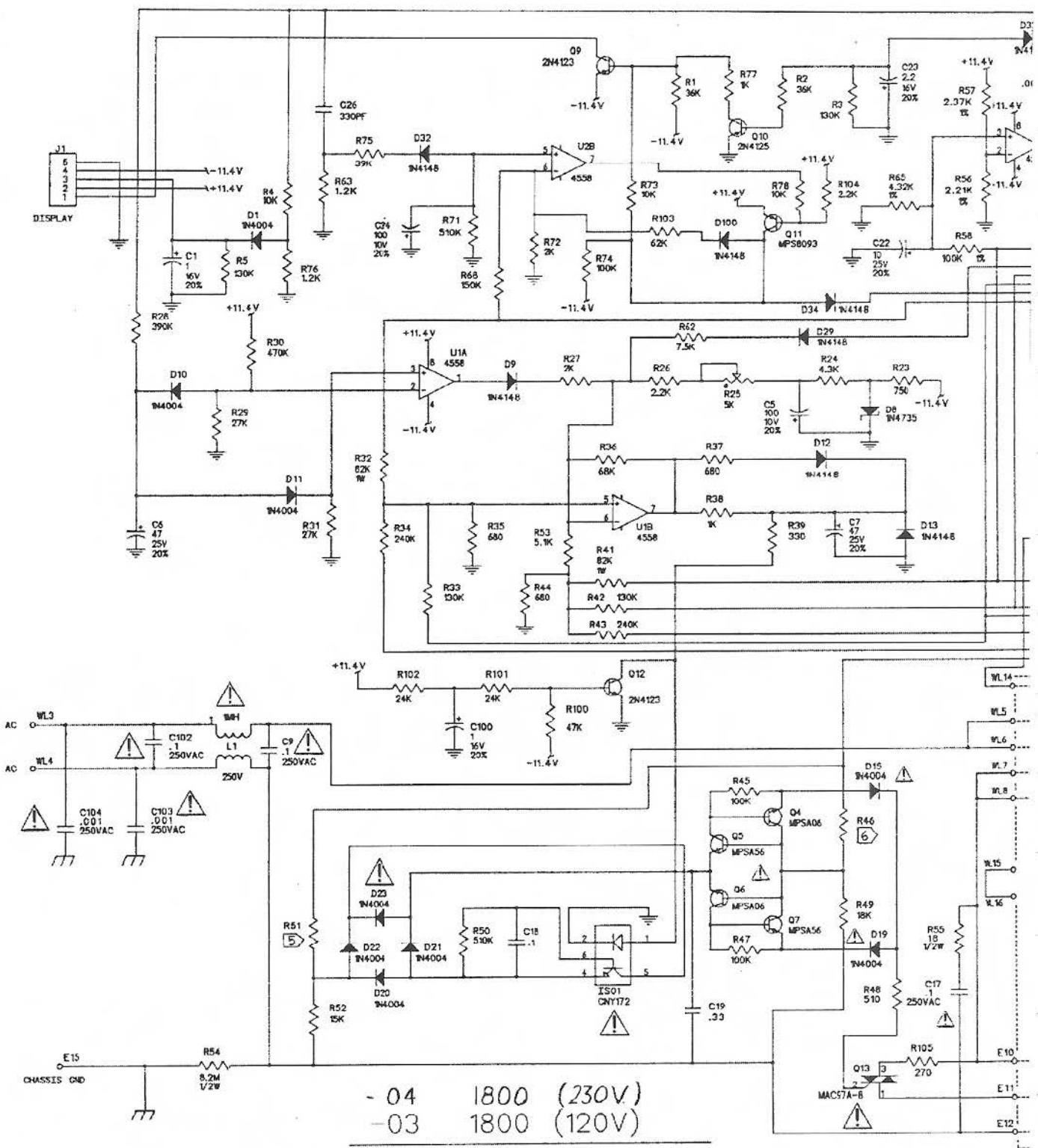
CARVER
SCHEMATIC,
OUTPUT, PT2400/1800
FIG. NO. 605-00465-01
SCALE NONE
PAGE 1 OF 1

D

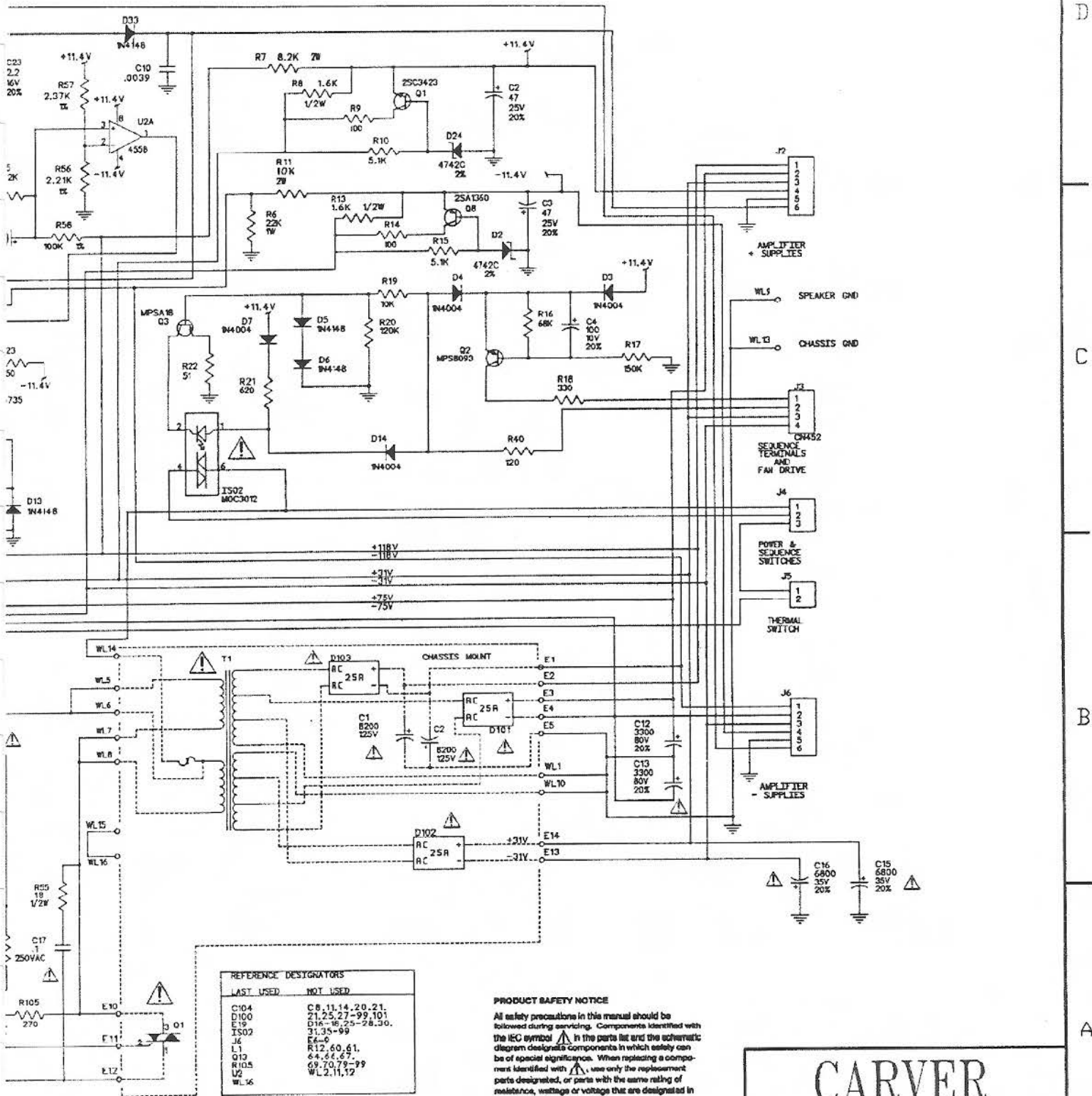
C

B



A



- 04 1800 (230V)
 - 03 1800 (120V)



REFERENCE DESIGNATORS	
LAST USED	NOT USED
C104	C8, 11, 14, 20, 21,
D100	21, 25, 27-99, 101
E19	D16-18, 25-28, 30,
IS02	31, 35-99
J6	E4-9
L1	R12, 60, 61,
Q19	64, 66, 67,
R105	69, 70, 79-99
U2	WL1, 11, 12
WL16	

PRODUCT SAFETY NOTICE
 All safety precautions in this manual should be followed during servicing. Components identified with the IEC symbol  in the parts list and the schematic diagram designate components in which safety can be of special significance. When replacing a component identified with , use only the replacement parts designated, or parts with the same rating of resistance, wattage or voltage that are designated in the parts list in this manual.

CARVER

SIZE D	DWG. NO. 605-00464-XX	REV. C
SCALE: NONE		SHEET 2

605-00447-XV 1 A

3

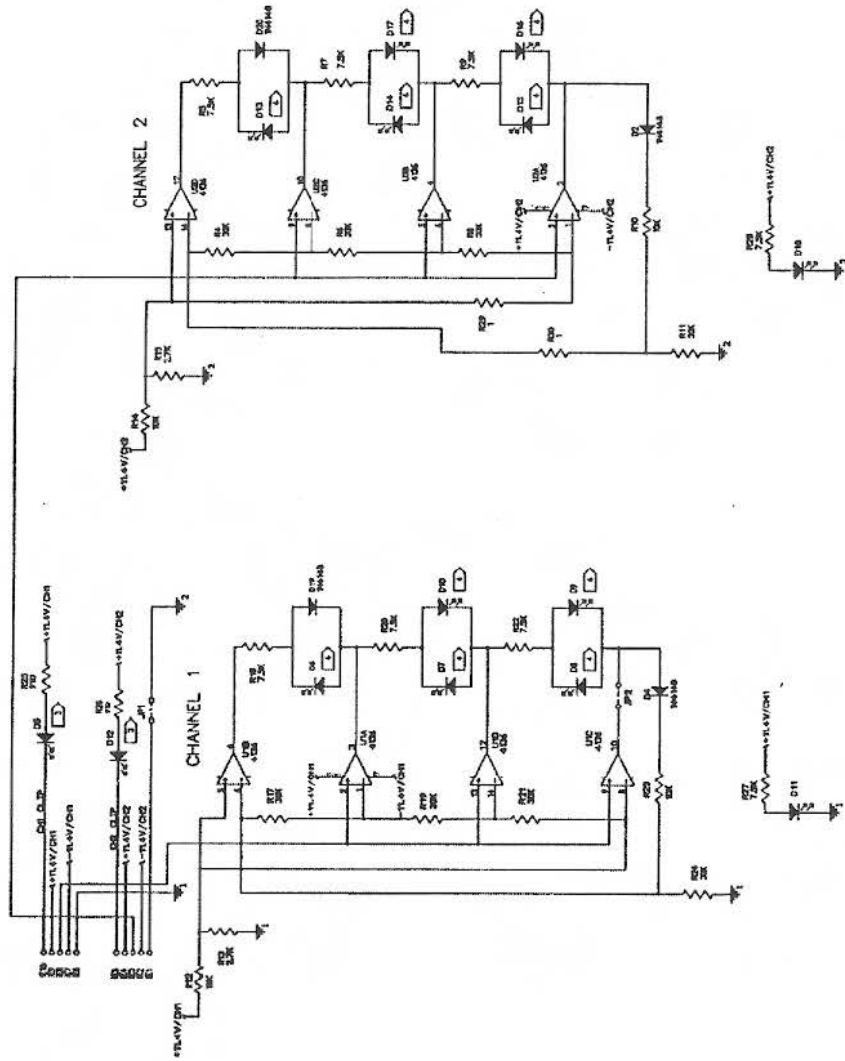
4

5

6

7

8



- 1. USE 500 OHM 5% RES FOR 220K, 270K, 330K UNITS.
- 2. USE 500 OHM 5% RES FOR 18K, 22K, 33K UNITS.
- 3. USE 500 OHM 5% RES FOR 10K, 15K, 20K UNITS.
- 4. ALL DIMENSIONS ARE IN DECIMALS, 10 S.
- 5. ALL DIMENSIONS ARE IN UNITS, 10 S.

NOTES: UNLESS OTHERWISE SPECIFIED

CONTRACT NO.	APPROVALS	DATE
605-00447-XV 1 A	B. PASCO	1/17/91
DESIGNER	J. S. [Signature]	2/5/91
DRAWN	J. S. [Signature]	2/5/91
CHECKED	J. S. [Signature]	2/5/91
DATE	1/13/91	1/13/91

PT-1800/2400 DISPLAY BOARD SCHEMATIC	PT2400/1800
SCHEMATIC	DISPLAY, PT2400/1800
SCALE: NONE	SCALE: NONE
REV. NO. 605-00447-XV 1 A	REV. NO. 605-00447-XV 1 A

REV	R1-2,14
DATE	01-3
REFERENCE DESIGNATORS	
LAST USED	UNIT USED

-01 EURO 120V, 230V

1 2 3 4 5 6 7 8