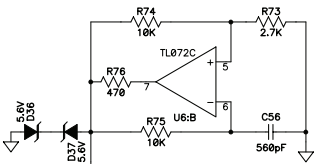
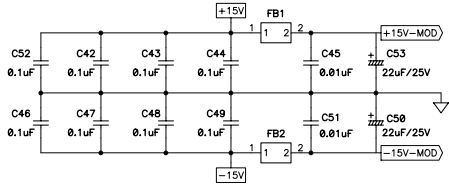
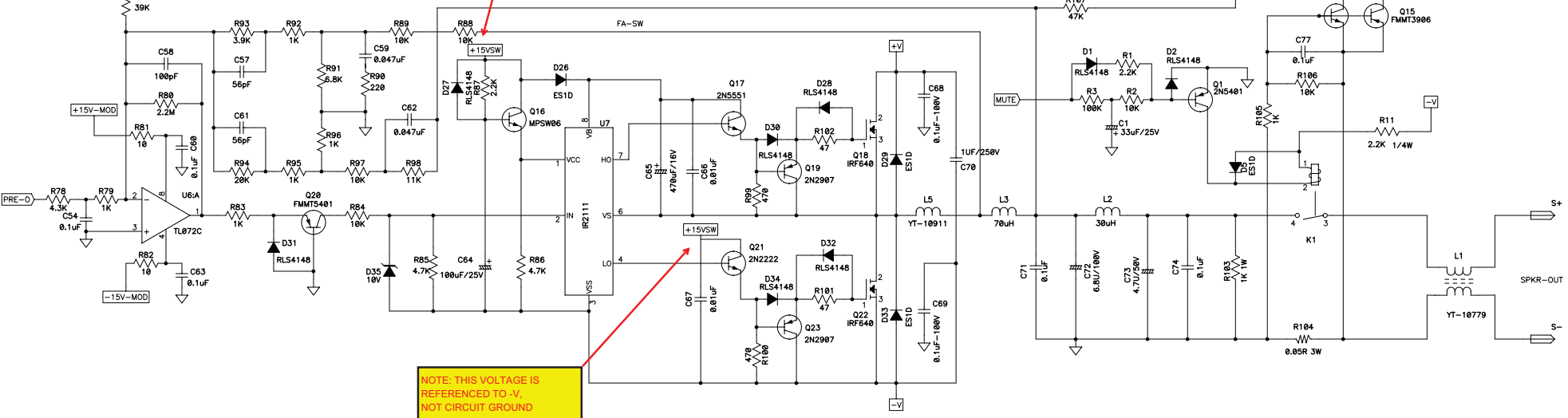


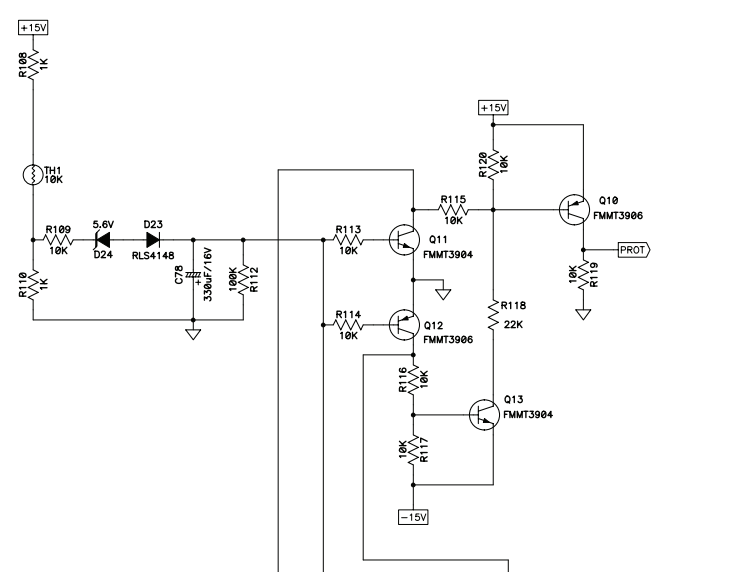
SCHEMATICS



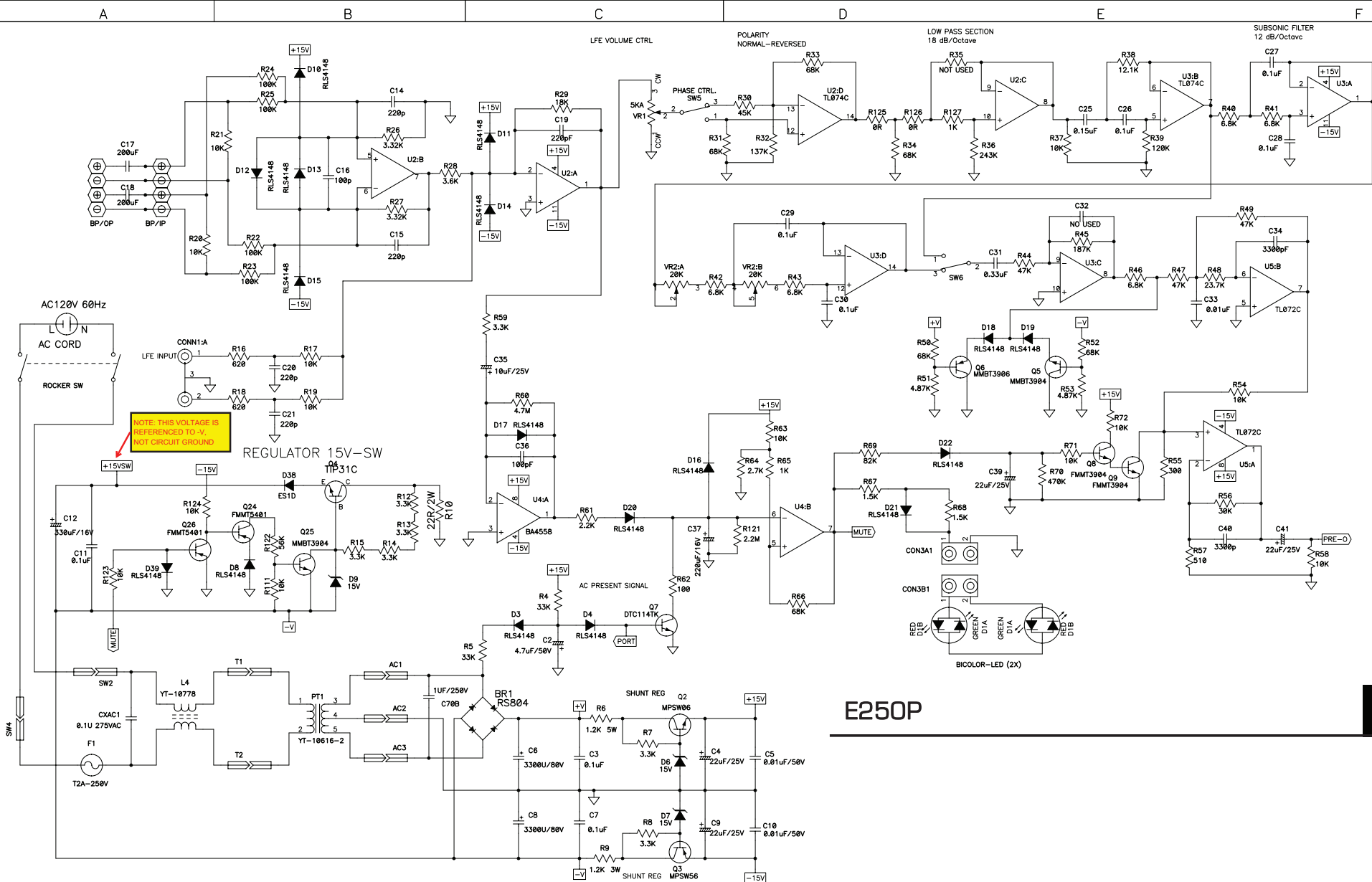
NOTE: THIS VOLTAGE IS REFERENCED TO -V, NOT CIRCUIT GROUND



NOTE: THIS VOLTAGE IS REFERENCED TO -V, NOT CIRCUIT GROUND



JBL	
Model no:	E250P 120V
Sch name	POWER AMP PCB
Issue no:	
Date:	2003/02/25
Sheet:	Rev: P1A
	Author: VITA



NOTE: THIS VOLTAGE IS REFERENCED TO -V NOT CIRCUIT GROUND

E250P



JBL	
Model no:	E250P 120V
Sch name	PRE AMP PCB
Issue no:	
Date:	2003/02/25
Sheet: 16	Rev: P1A
Author: VITA	