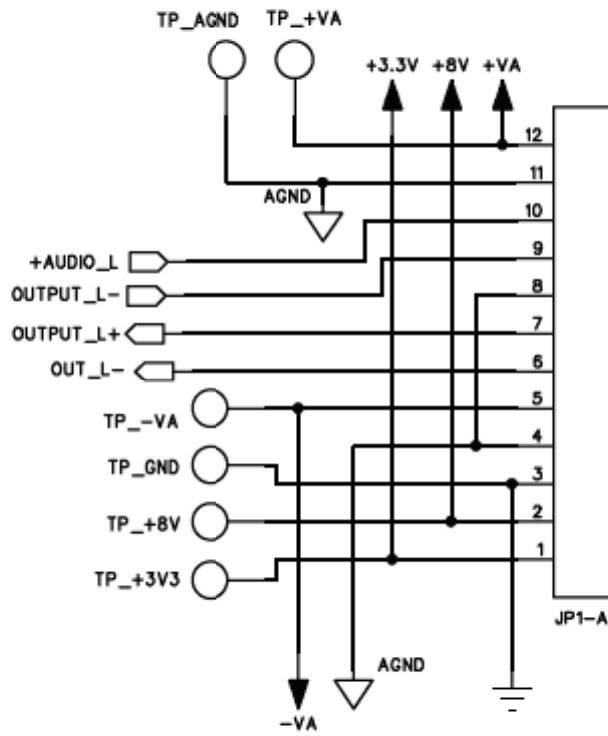


Route as short as possible



FROM POWER SUPPLY PCBA #50-02-XXXX

C

B

MASTER VOLUME

