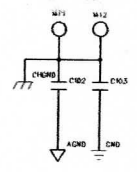
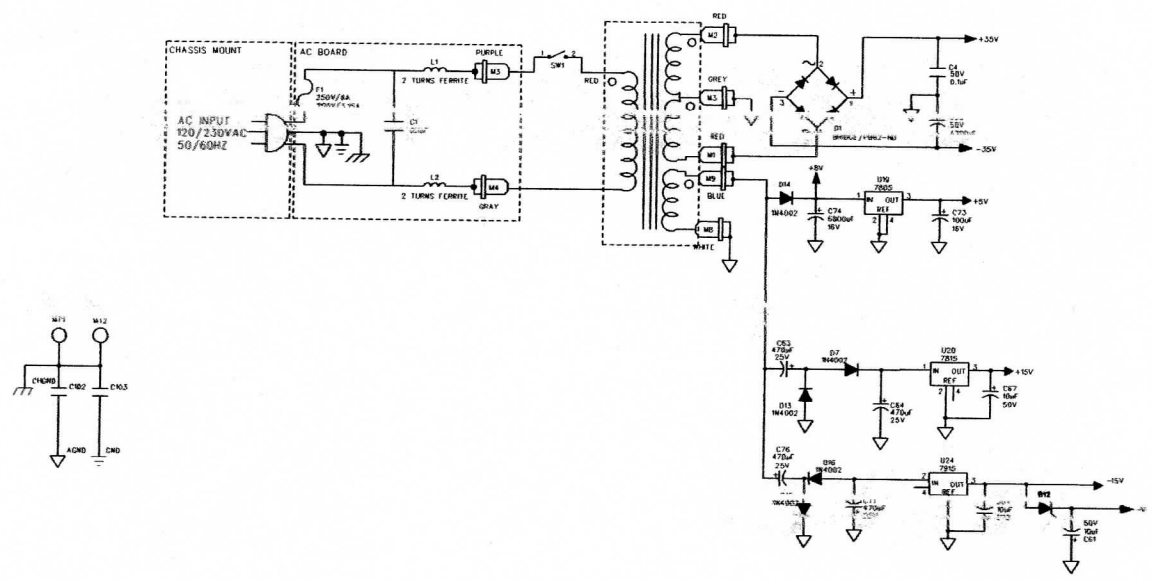


ECO: INCLUDED ON THIS SCHEMATIC/PCB REVISION		
ECO NO:	DATE:	DESCRIPTION:



COMPANY:	LINE 6	
TITLE:	SPIDER 212 MAIN BOARD	
PROGRAM:	PADS POWER LOGIC V3.0	REV: C
DESIGNED BY:	G:/Clients/F14/Spider 212/Hardware/Schematics	
CHECKED BY:	/Main/Spdr212 Main Rev C.sch	
DATE:		
SCALE:	1:1	
SIZE:	C	
PART NUMBER:	35-00-0084 PCB	
	50-00-0084 PCB	
SHEET:	3	3