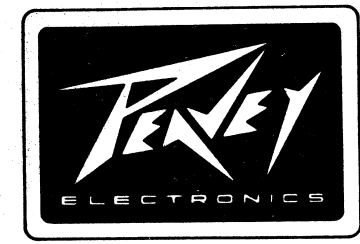
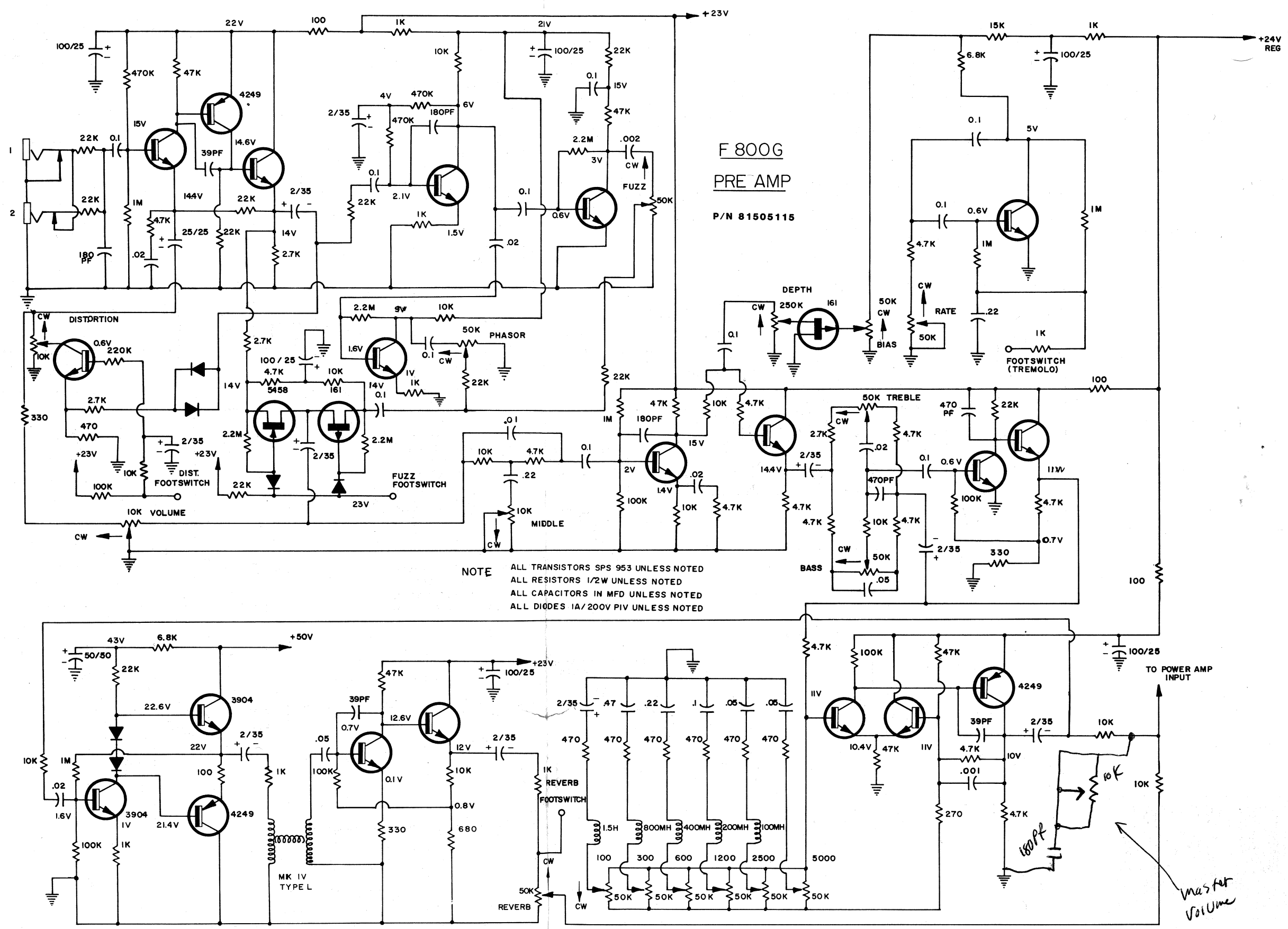


F 800B PREAMP  
P/N 81505125

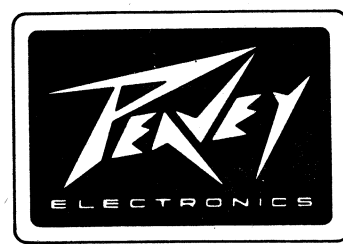
NOTE  
ALL TRANSISTORS SPS 953 UNLESS NOTED  
ALL RESISTORS 1/2W UNLESS NOTED  
ALL CAPACITORS IN MFD UNLESS NOTED  
ALL DIODES 1A 200PIV UNLESS NOTED



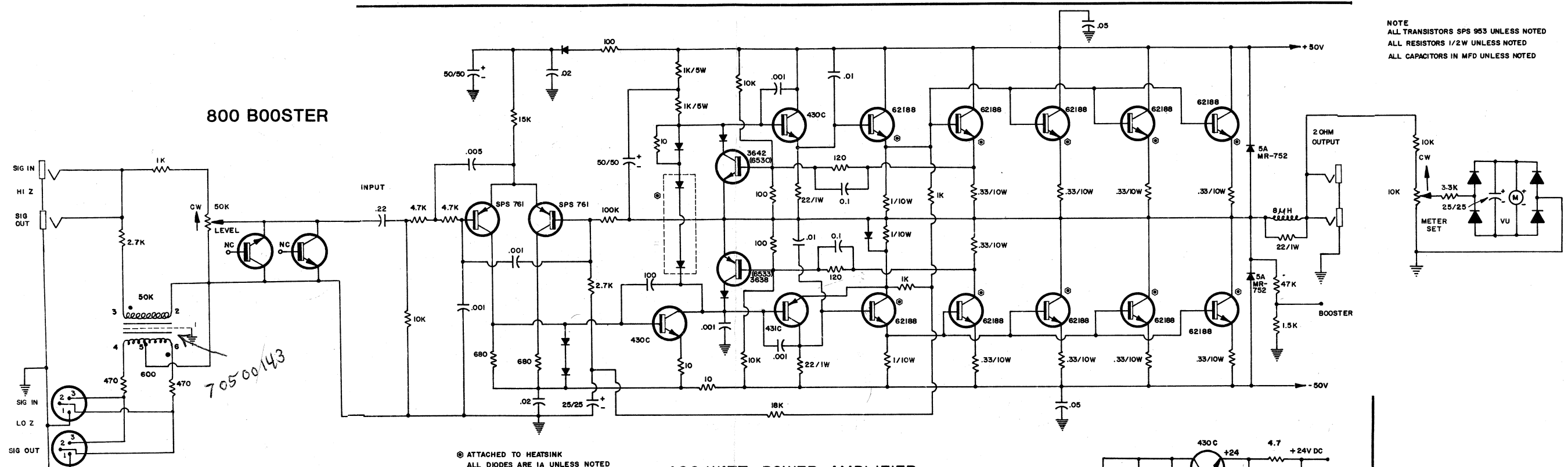


F 800G  
PRE AMP  
P/N 81505115

NOTE  
ALL TRANSISTORS SPS 953 UNLESS NOTED  
ALL RESISTORS 1/2W UNLESS NOTED  
ALL CAPACITORS IN MFD UNLESS NOTED  
ALL DIODES 1A/200V PIV UNLESS NOTED

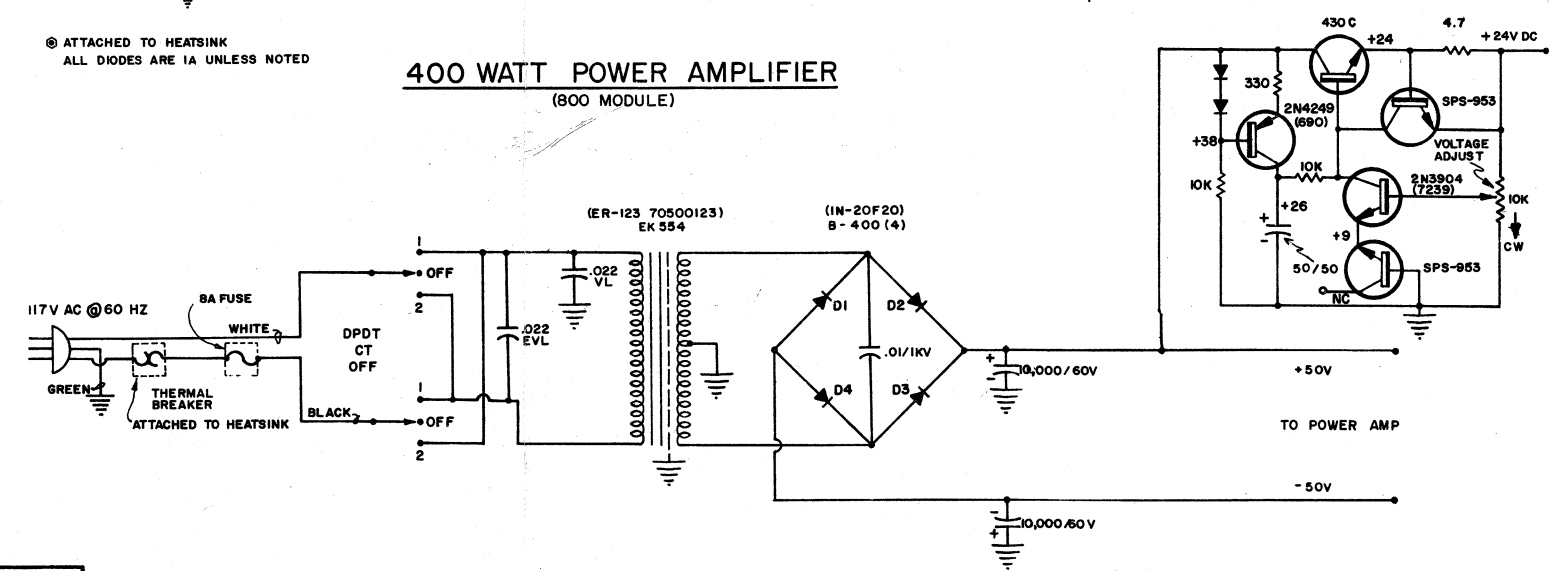


*Master Volume*



NOTE  
 ALL TRANSISTORS SPS 953 UNLESS NOTED  
 ALL RESISTORS 1/2W UNLESS NOTED  
 ALL CAPACITORS IN MFD UNLESS NOTED

### 400 WATT POWER AMPLIFIER (800 MODULE)

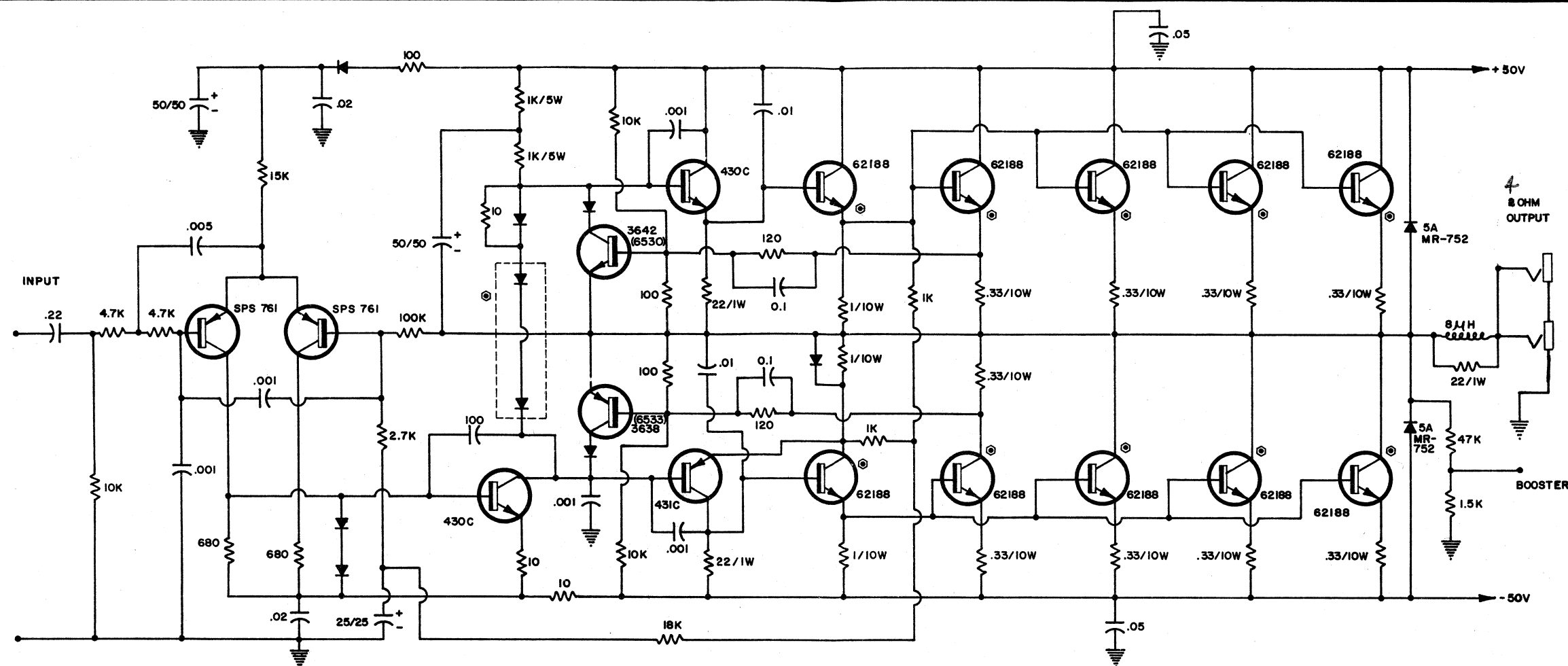


PEAVEY ELECTRONICS CORP  
 MERIDIAN, MS.  
 REVISED 12/16/80

81505100

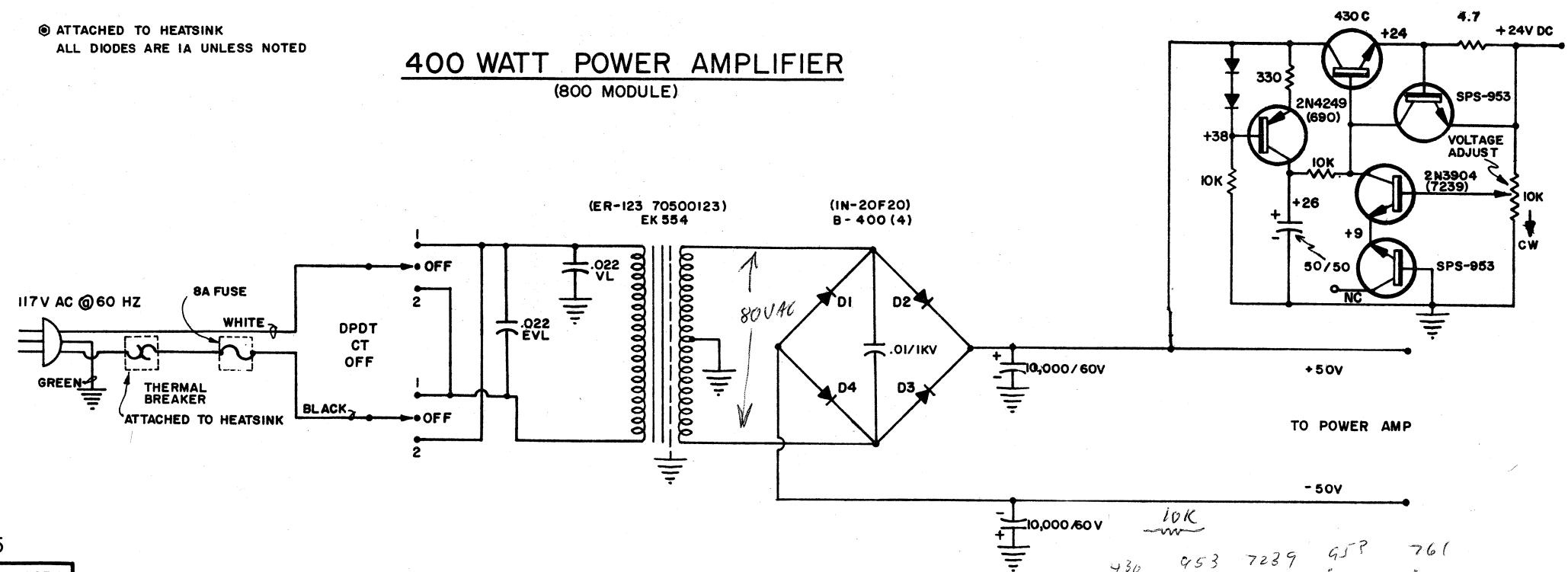
PEAVEY SOLID STATE POWER SUPPLY

COPYRIGHT 1980 PRINTED IN U.S.A.



© ATTACHED TO HEATSINK  
ALL DIODES ARE 1A UNLESS NOTED

### 400 WATT POWER AMPLIFIER (800 MODULE)



### PEAVEY SOLID STATE POWER SUPPLY

800 MODULE

81505045  
PEAVEY ELECTRONICS CORP.  
MERIDIAN, MS.  
REVISED 12/16/80

COPYRIGHT 1980 PRINTED IN U.S.A.