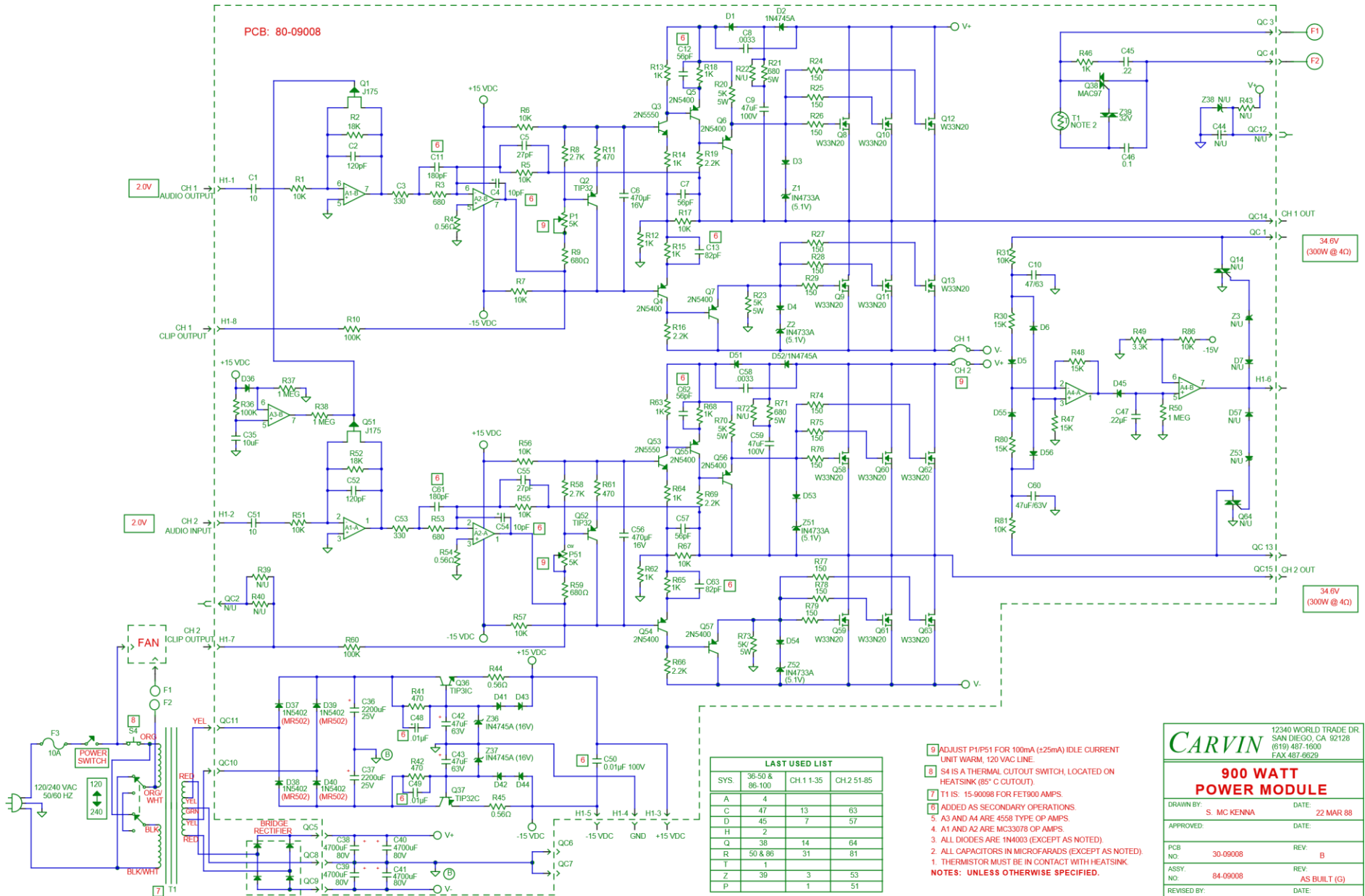


PCB: 80-09008



LAST USED LIST

SYS	36-50 & 86-100	CH 1 1-35	CH 2 51-85
A	4		
C	47	13	63
D	45	7	57
H	2		
Q	38	14	64
R	50 & 86	31	81
T	1		
Z	39	3	53
P		1	51

- 1. ADJUST P1/P51 FOR 100mA (+25mA) IDLE CURRENT UNIT WARM, 120 VAC LINE.
 - 2. S4 IS A THERMAL CUTOFF SWITCH, LOCATED ON HEATSINK (85° C CUTOFF).
 - 3. T1 IS 15-90008 FOR FET100 AMPS.
 - 4. A3 AND A4 ARE 4558 TYPE OP AMPS.
 - 5. A1 AND A2 ARE MC33078 OP AMPS.
 - 6. ALL DIODES ARE 1N4003 (EXCEPT AS NOTED).
 - 7. ALL CAPACITORS IN MICROFARADS (EXCEPT AS NOTED).
 - 8. THERMISTOR MUST BE IN CONTACT WITH HEATSINK.
- NOTES: UNLESS OTHERWISE SPECIFIED.**

CARVIN 12340 WORLD TRADE DR.
SAN DIEGO, CA 92128
(619) 487-1600
FAX 487-6629

**900 WATT
POWER AMPLIFIER**

DRAWN BY: S. MC KENNA DATE: 22 MAR 88

APPROVED: DATE:

PCB NO: 30-09008 REV: B

ASSY. NO: 84-09008 REV: AS BUILT (G)

REVISED BY: DATE:

LAST SCHEMATIC UPDATE 4APR06