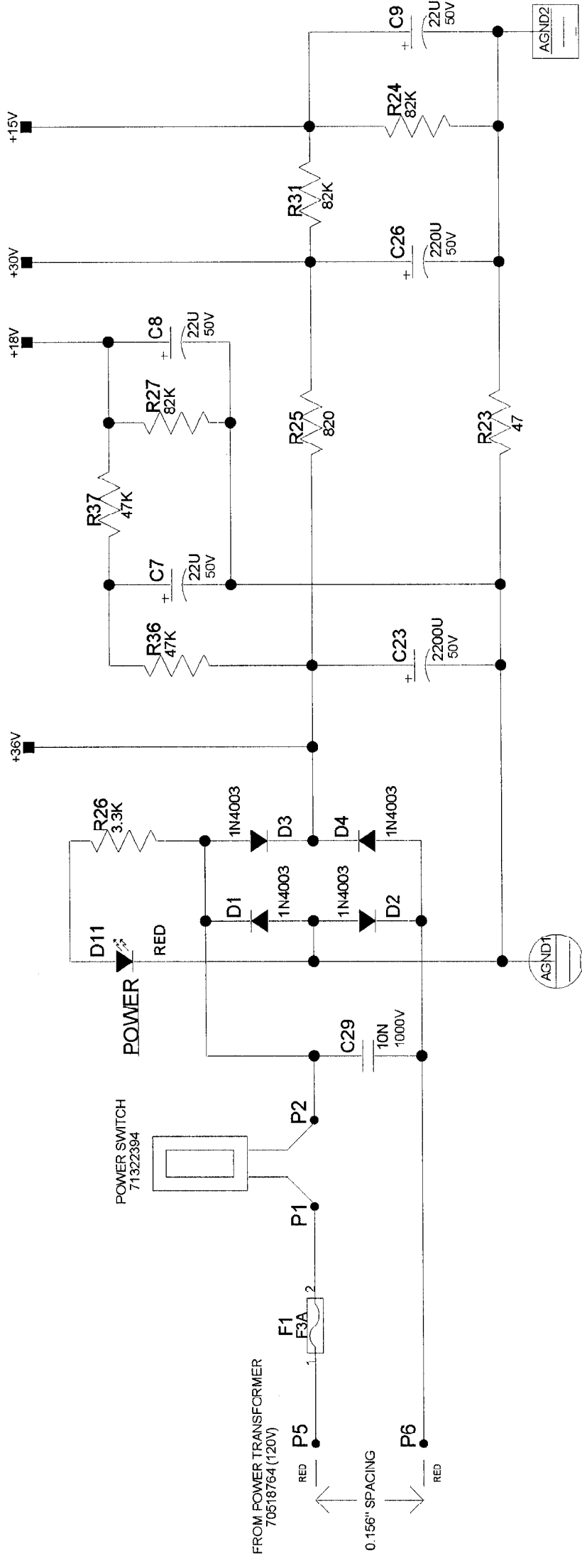


REV	Eng	Date:	Revision Description	ECN#
A				
B				
C				
D				
E				
F				

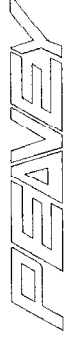
INDEX

SHEET	DESCRIPTION
1	COVER / POWER SUPPLY
2	PREAMP / POWER AMP



Note: All thru hole Resistors are 1/4 Watt unless otherwise indicated.
 All SMT 1206 Resistors are 1/4 Watt.
 All SMT 0805 Resistors are 1/10 Watt.
 Note Capacitor Values are indicated as Follows:
 val P = pF (picoFarads) val * 10 exp-12
 val N = nF (nanoFarads) val * 10 exp-9 (1N=1000pF, 100N=0.1uF)
 val U = uF (microFarads) val * 10 exp-6

Company Proprietary Information



Peavey Electronics Corp.
 P. O. Box 2893
 Meridian, MS 39301

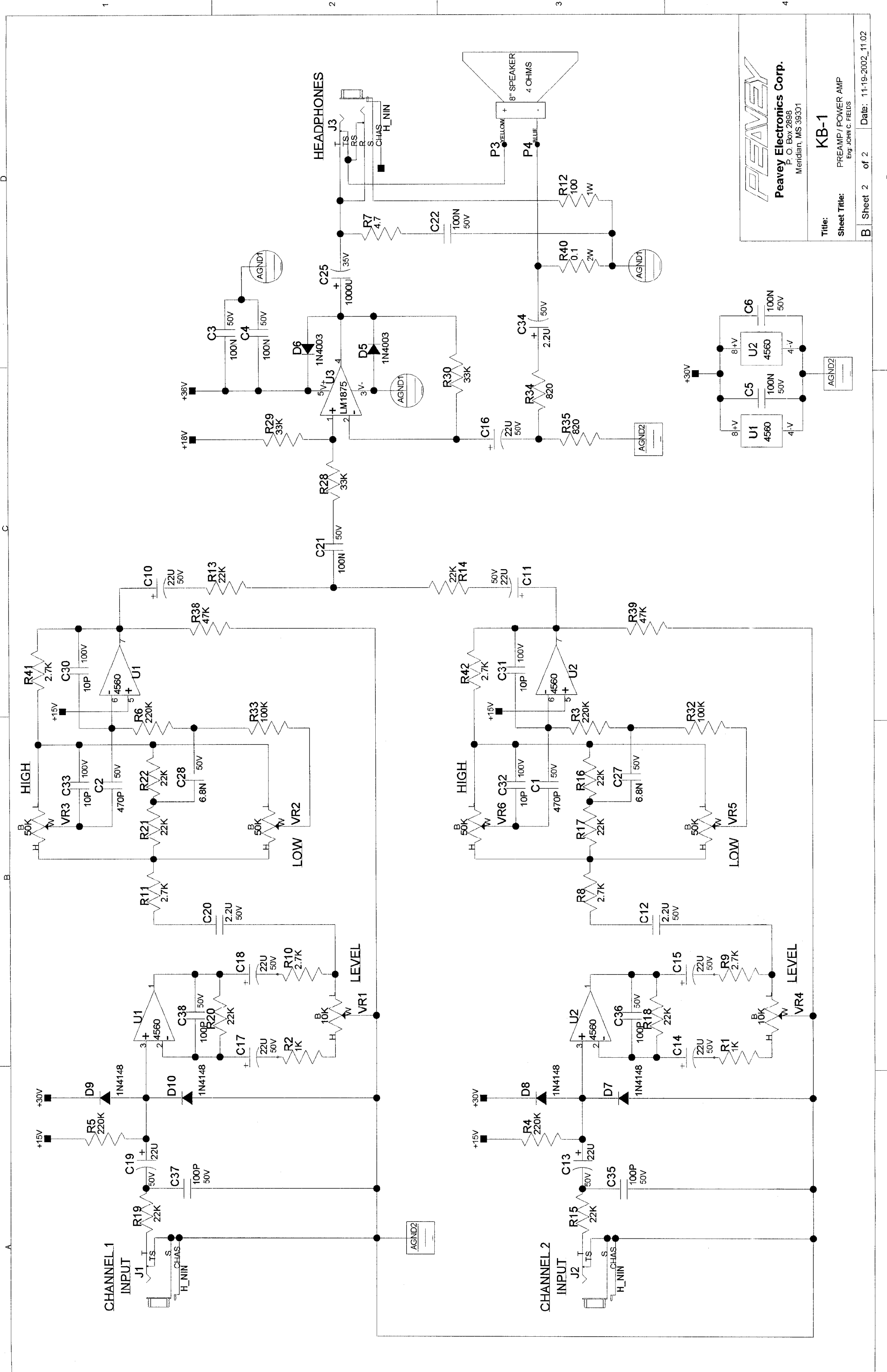
Product: KB-1
 Title: KB-1

Project Number: P0100136

Eng: J. C. FIELDS Release Date: 11-19-2002

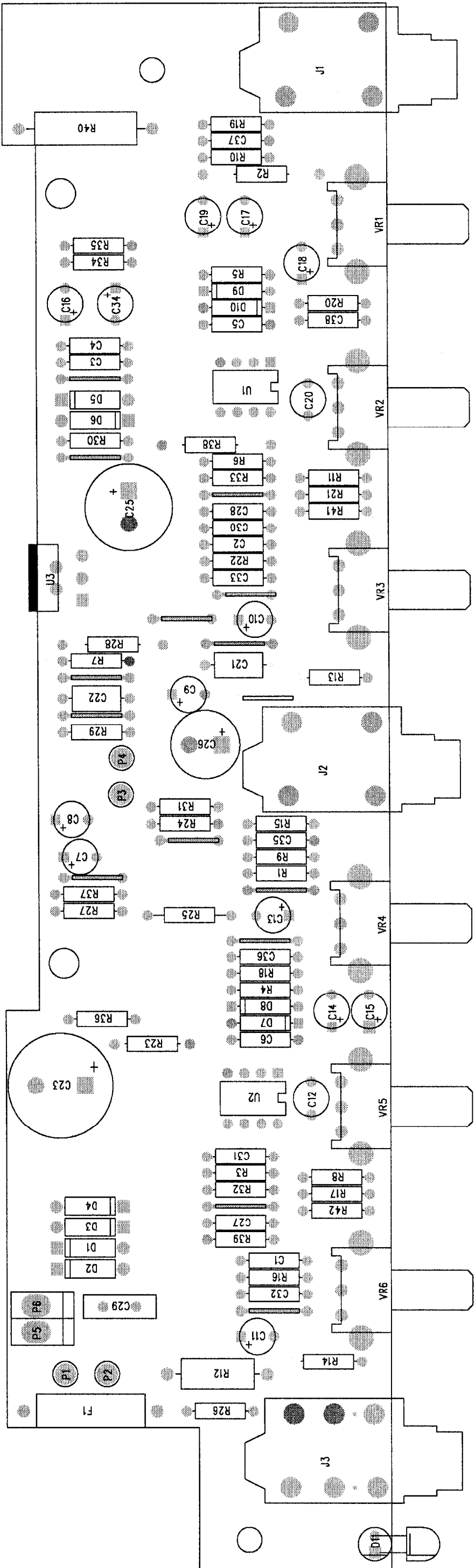
B Sheet 1 of 2 Saved: 11-19-2002_11:00

Copyright Peavey Electronics Corporation 2002.



PEAVEY
Peavey Electronics Corp.
 P. O. Box 2898
 Meridian, MS 39331

Title: **KB-1**
 Sheet Title: **PREAMP / POWER AMP**
 Eng. JOHN C. FIELDS
 B Sheet 2 of 2 Date: 11-19-2002_11:02



BILL OF MATERIAL REPORT

REPORT DATE/TIME: 11/18/2002 3:08:01 PM

BOARD NAME: KB1 MAIN BD ASSEMBLY LEVEL NUMBER: 99060120b

PROJECT NUMBER: P0100136 DESIGNER: GWG

Qty.	Part #	Description	Reference Designators
1	70210003	100 1W 5%MO AXL	R12
1	70240002	4.7 1/4W 5% CF AXL	R7
2	70240017	1K 1/4W 5% CF AXL	R1 R2
3	70240019	820 1/4W 5% CF AXL	R25 R34 R35
6	70240021	2700 1/4W 5% CF AXL R41 R42	R8 R9 R10 R11
1	70240022	3300 1/4W 5% CF AXL	R26
10	70240029	22K 1/4W 5% CF AXL R17 R18 R19 R20 R21 R22	R13 R14 R15 R16
3	70240030	33K 1/4W 5% CF AXL	R28 R29 R30
4	70240031	47K 1/4W 5% CF AXL	R36 R37 R38 R39
3	70240033	82K 1/4W 5% CF AXL	R24 R27 R31
2	70240034	100K 1/4W 5% CF AXL	R32 R33
4	70240036	220K 1/4W 5% CF AXL	R3 R4 R5 R6
1	70240090	47 1/4W 5% FP AXL	R23
1	70241099	.1 2W 10% WW AXL	R40
1	70320180	2.2UF 50V 20% EL RAD	C34
12	70320181	22UF 50V 20% EL RAD C11 C13 C14 C15 C16 C17 C18 C19	C7 C8 C9 C10
2	70320184	2.2UF 50V 20% ELN RAD	C12 C20
1	70320186	1000UF 35V 20% EL RAD	C25
1	70320187	220UF 50V 20% EL RAD	C26
1	70320248	0.01UF 1000V 20% Z5U RAD	C29
1	70320319	2200UF 50V 20% EL RADH	C23
2	70340008	6800PF 50V 10% X7R AXL	C27 C28
4	70340050	10PF 100V 5% NPO AXL	C30 C31 C32 C33
4	70340054	100PF 50V 10% NPO AXL	C35 C36 C37 C38

2	70340058	470PF 50V 10% NPO AXL	C1 C2
4	70340100	0.1UF 50V 80-20% Z5U AXL	C3 C4 C5 C6
2	70340101	0.1UF 50V 10% X7R AXL	C21 C22
1	70401875	LM-1875 PWRAMP VER. MNT.	U3
2	70414560	4560 DUAL OPAMP DIP8	U1 U2
1	70450053	RED T1 LED W/STOP LEAD	D11
6	70464003	1N4003 200V 1A SI DIODE D5 D6	D1 D2 D3 D4 D5 D6
4	70464148	1N4148 75V 10MA DIODE	D7 D8 D9 D10
1	70901182	FUSE, 3A 250V 2AG T&R	F1
2	71190800	10KB SNGL 12MM HOR	VR1 VR4
4	71190801	50KB SNGL 12MM HOR	VR2 VR3 VR5 VR6
2	71466322	JACK, MONO R/A 1/4" 6.5MM NINS	J1 J2
1	71466323	JACK, STEREO R/A 1/4" 6.5MM NINS	J3
4	73713813	WR-TO-BD CRIMP TERM 18GA	P1 P2 P3 P4
2	73717003	1 STAKE PIN .045 .625 TIN	P5 P6
15	JUMPER	????????????????????????????	JMP1 JMP2 JMP3 JMP4 JMP5 JMP6 JMP7 JMP8 JMP9 JMP10 JMP11 JMP12 JMP13 JMP14 JMP15

 END OF BILL OF MATERIAL REPORT
