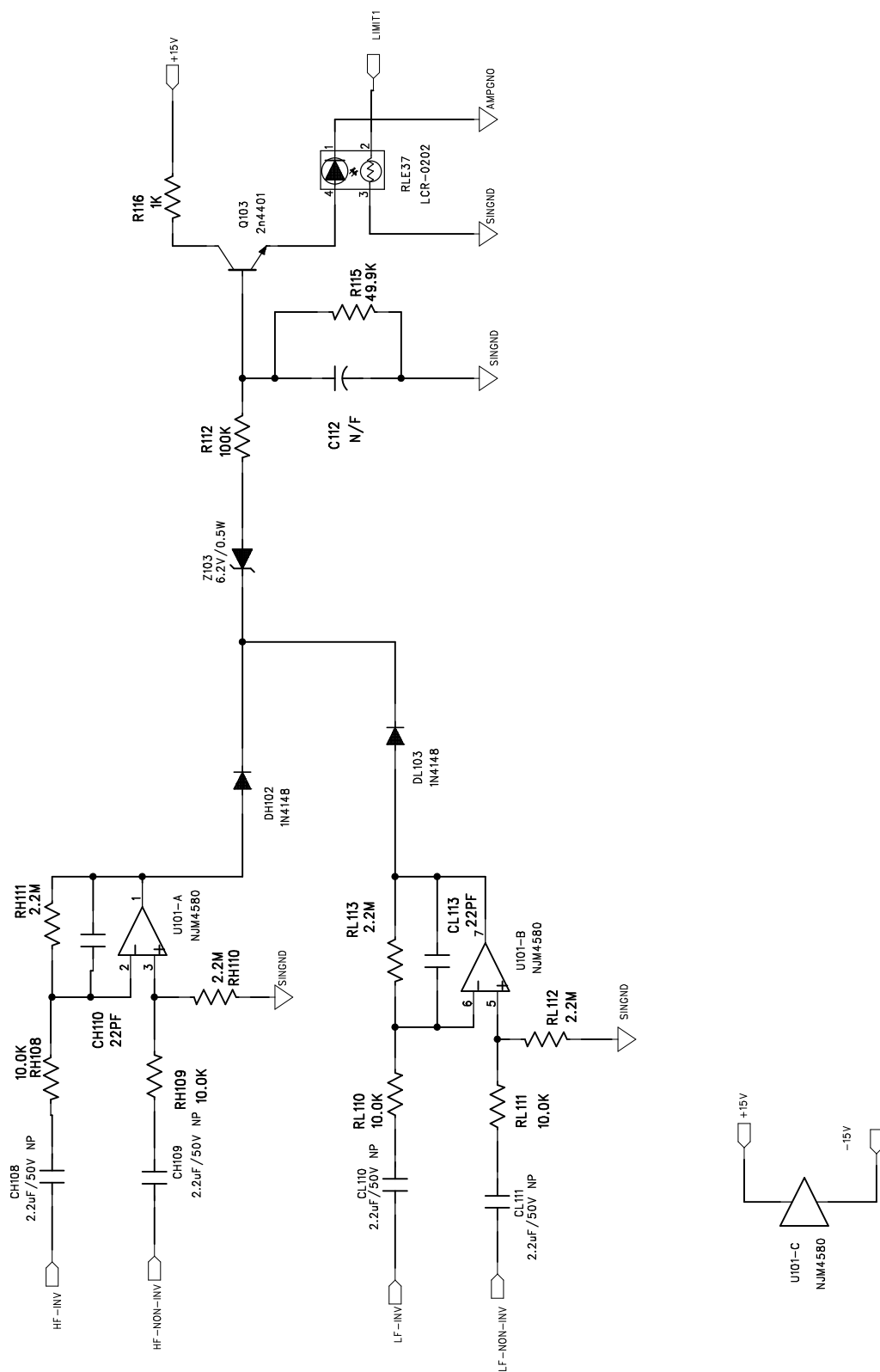
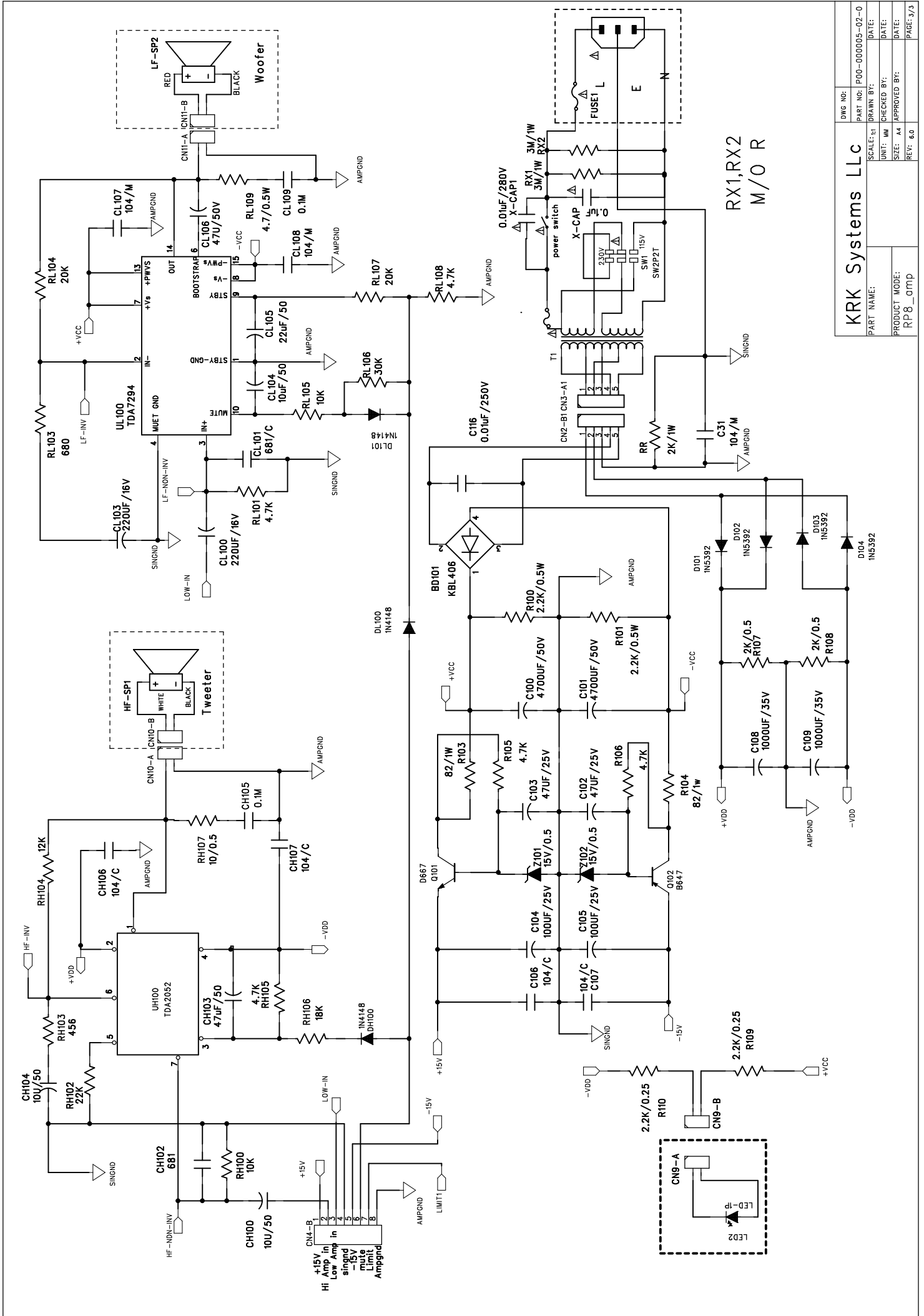


Note:1. if there is no any special requirement, the RES is +/-1%,1/6W w/ metal film.
 2.capacitors related the signal path is 5% Polyester or metalized Polyester.

KRK Systems LLC		DWG NO:	000-00004-01-0
PART NAME:	RP8_pre	PART NO:	000-00004-01-0
SCALE: 1:1	CHECKED BY:	DATE:	
UNIT: MM	APPROVED BY:	DATE:	
SIZE: A4	REV: 6.0	PAGE: 1/3	



KRK Systems LLC		DWG NO:	P00-000005-02-0
PART NAME:	LIMITER	PART NO:	
PRODUCT CODE:	RP8_omp	SCALE: 1:1	DATE:
		UNIT: MM	CHECKED BY:
		SIZE: A4	APPROVED BY:
		REV: 6.0	DATE:
			PAGE: 2/3



KRK Systems LLC		DWG NO: P00-000005-02-0 PART NO: P00-000005-02-0 SCALE: 1:1 UNIT: MM SIZE: A4 REV: 6.0
DRAWN BY: CHECKED BY: APPROVED BY:	DATE: DATE: DATE:	DATE: DATE: DATE:
PRODUCT MODE: RP8_amp	PAGE: 3/3	PAGE: 3/3