

6

5

4

3

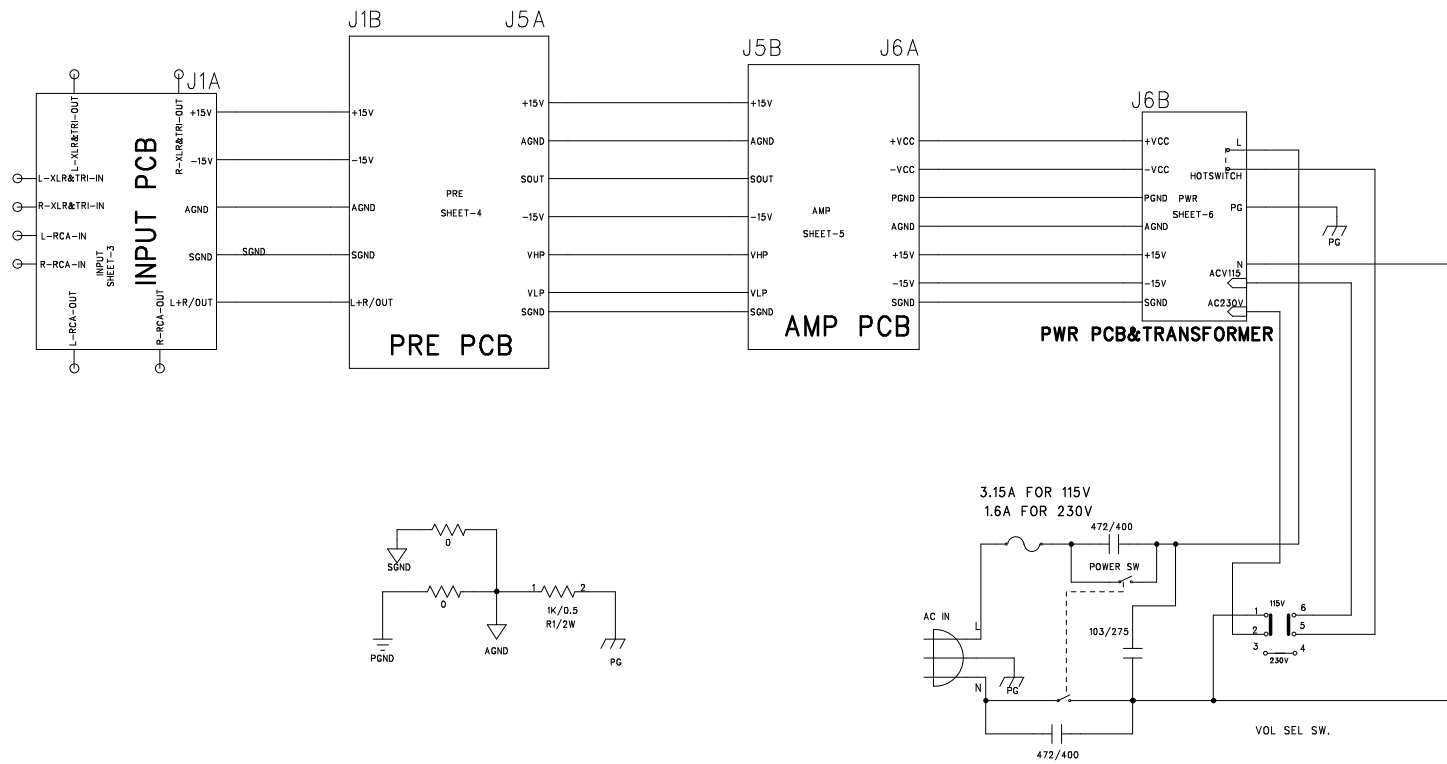
2

1

RP10 HIERARCHICAL

REVISION RECORD

ECN RECORR SEE 2 PAGE




NOTES: UNLESS OTHERWISE SPECIFIED
 1. ALL RESISTORS ARE IN OHMS, 1/8W, 1%.
 2. ALL CAPACITORS ARE IN MICROFARADS, 10%, 100V.
 PF DESIGNATES PICO FARADS.

KRK Systems, LLC.

PART NAME:		DIMENSION TOLERANCE:		SCALE:	DRAWN BY: LUOHENG	DATE: 16/12/03
PRODUCT CODE:				UNIT:	CHECKED BY: LUOHENG	DATE: 04/05/11
				SIZE:	APPROVED BY:	DATE:
				REV:	V2.3	PAGE: 1 OF 6

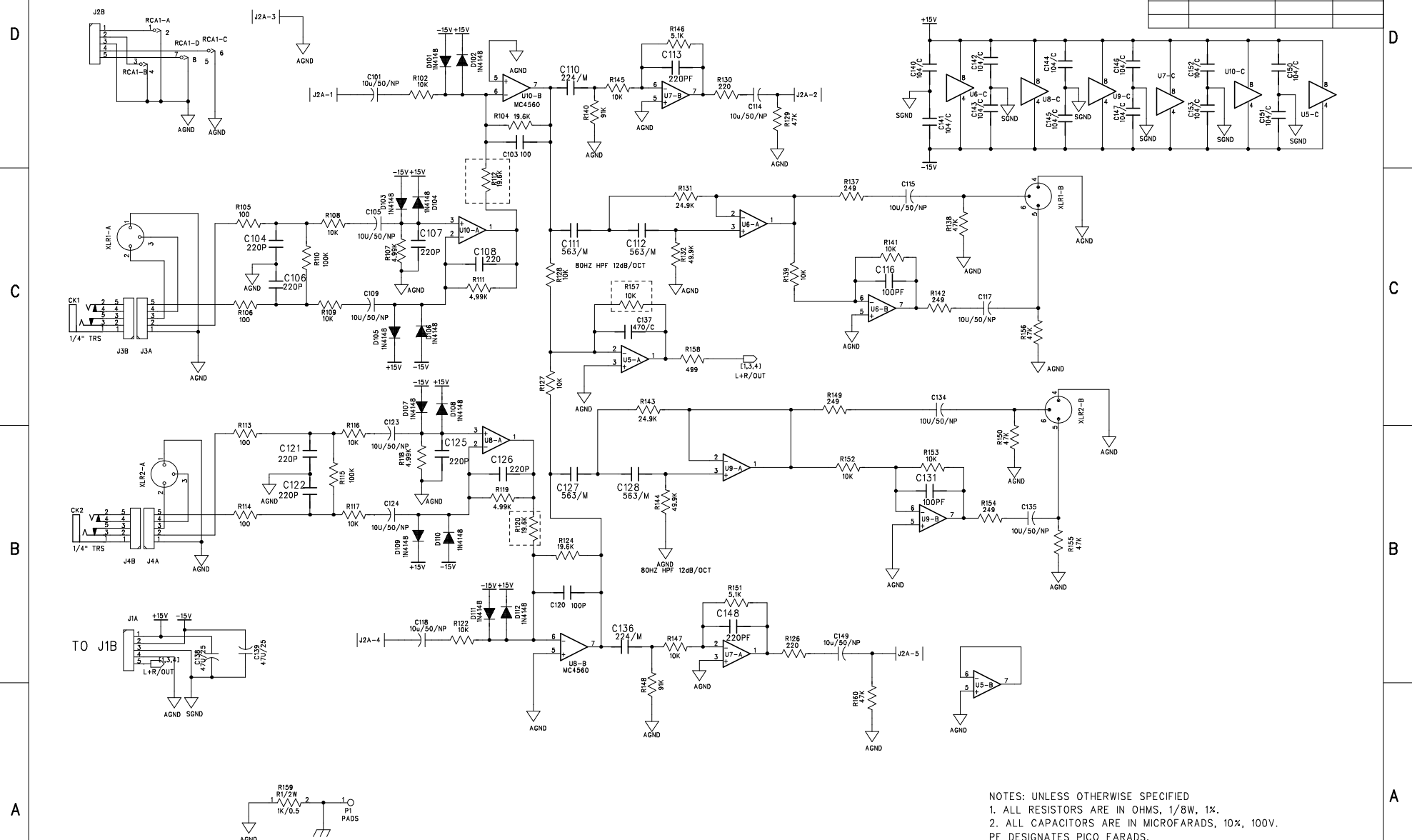
A		B		C		D	
1							1
2							2
3							3
4							4
A		B		C		D	

REVISION RECORD				
REV:		REVISION:	DATE:	SIGNATORY:
PRE	V2.3.1	SCH FROM V1.1 TO V2.3	040716	
		R200 FROM 100ohm to 300ohm 5%	040716	
		R202 FROM 8.2kohm to 1.65kohm 1%	040716	
		R204 47K NOT INSERTED	040716	
		R206 FROM 31Kohm to 24.9Kohm	040716	LH
		R207 10K IS NOT INSERTED	040716	LH
		R212 10Kohm IN NOT INSERTED	040716	LH
		R215 10K IS NOT INSERTED	040716	LH
		R225 FROM 4.7Kohm to 47Kohm	040716	LH
		R226 FROM 4.7ohm to 47Kohm	040716	LH
		R223 FROM 1K TO 2.0K	040716	LH
		R224 FROM 1.0ohm to 2Kohm	040716	LH
		ADD TRIMPOT R234 IS 10K	040716	LH
		ADD RESISTOR R235 IS 680ohm	040716	LH
INPUT	V2.3	SCH FROM V2.2 TO V2.3	040716	LH
		R157 FROM 4.99Kohm to 10Kohm	040716	LH
AMP		SCH FROM V1.1 TO V1.2	040731	LH
		R359 FROM 3.3Kohm to 1.6Kohm	040731	LH

COMPANY:						 KRK Systems, LLC.	
TITLE:						RP10S-ECN	
DRAWN:	DATED:	CHECKED:	DATED:	APPROVED:	DATED:		
LH	04.07.31						
DWG NO.:	PT-X-XXXX-XX	SCALE:1:1	SIZE:A4	REV:2.3.1	SHEET: 2 OF 6		

RP10S INPUT

REVISION RECORD			
LTR	ECO NO:	APPROVED:	DATE:



NOTES: UNLESS OTHERWISE SPECIFIED
 1. ALL RESISTORS ARE IN OHMS, 1/8W, 1%
 2. ALL CAPACITORS ARE IN MICROFARADS, 10%, 100V.
 PF DESIGNATES PICO FARADS.

KRK Systems, LLC.		DWG NO:		
		PART NO:		
PART NAME: INPUT	DIMENSION TOLERANCE:	SCALE:	DRAWN BY: LUOHENG	DATE: 16/12/03
PRODUCT CODE:		UNIT:	CHECKED BY: LUOHENG	DATE: 04/05/11
		SIZE:	APPROVED BY:	DATE:
		REV: 2.3		PAGE: 3 OF 6

6

5

4

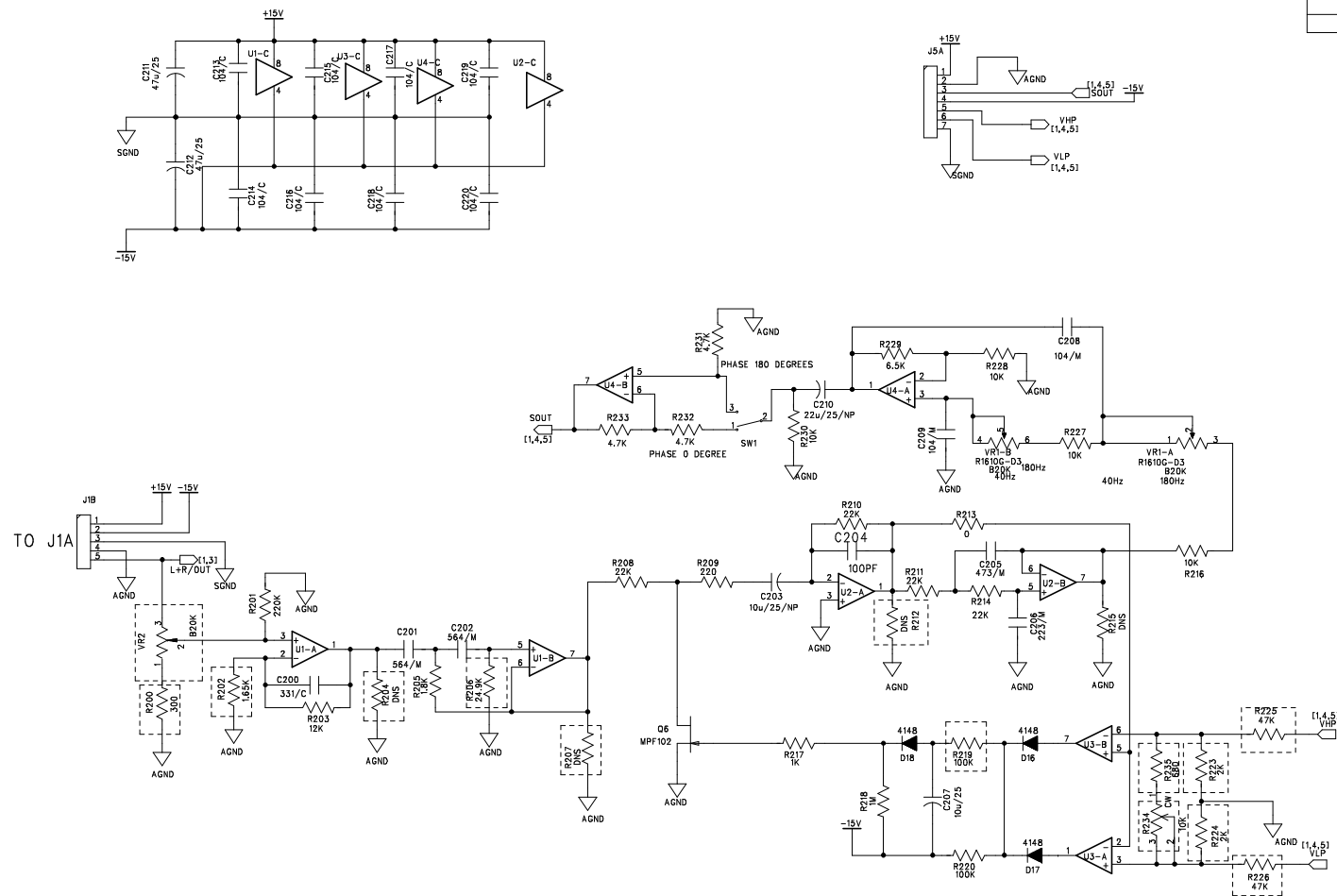
3

2

1

RP10S-PREAMP

REVISION RECORD			
LTR	ECO NO:	APPROVED:	DATE:



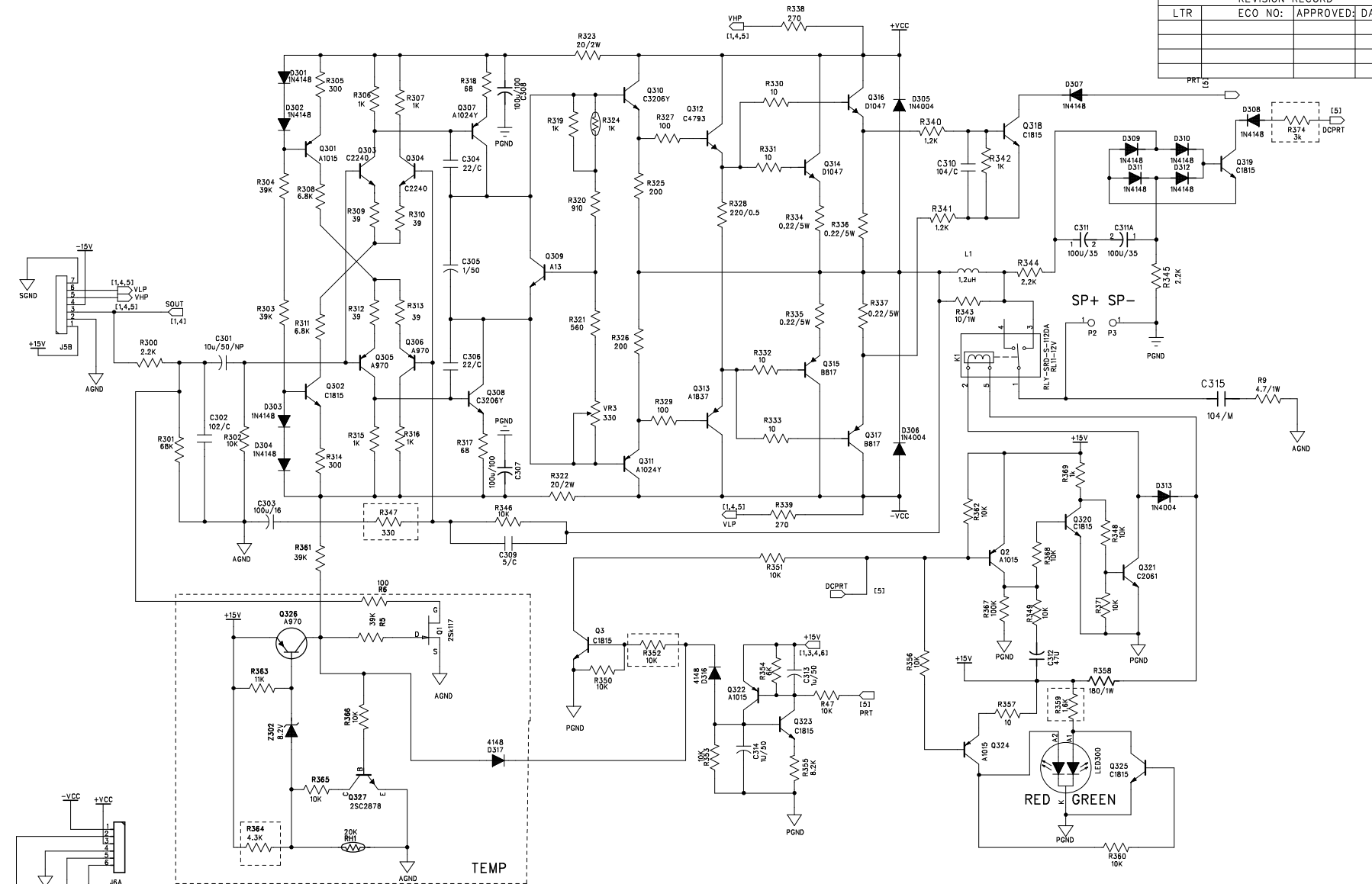
NOTES: UNLESS OTHERWISE SPECIFIED
 1. ALL RESISTORS ARE IN OHMS, 1/8W, 1%.
 2. ALL CAPACITORS ARE IN MICROFARADS, 10%, 100V.
 PF DESIGNATES PICO FARADS.



PART NAME:		SCALE:	DRAWN BY: LUOHENG	DATE: 16/12/03
DIMENSION TOLERANCE:		UNIT:	CHECKED BY: LUOHENG	DATE: 04/05/11
PRODUCT MODE:		SIZE:	APPROVED BY:	DATE:
		REV: V2.3.1		PAGE: 4 OF 6

RP10S-AMP

REVISION RECORD			
LTR	ECO NO:	APPROVED:	DATE:



NOTES: UNLESS OTHERWISE SPECIFIED
1. ALL RESISTORS ARE IN OHMS, 1/8W, 1%.
2. ALL CAPACITORS ARE IN MICROFARADS, 10%, 100V.
PF DESIGNATES PICO FARADS.

KRK Systems, LLC.		DWG NO:	
PART NAME: RP10S		PART NO:	
PRODUCT CODE:		SCALE:	
		DRAWN BY: LH	DATE: 16/12/03
		CHECKED BY: LH	DATE: 04/05/11
		APPROVED BY:	DATE:
		REV: V1.2	PAGE: 5 OF 6

6

5

4

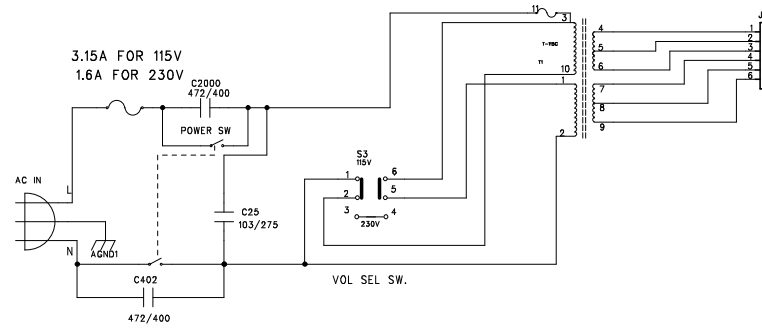
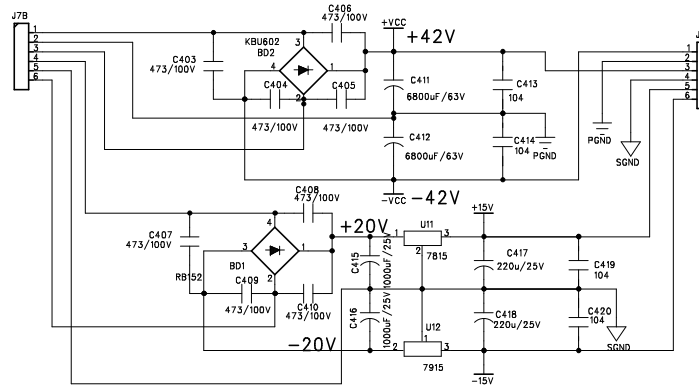
3

2

1

POWER SUPPLY

REVISION RECORD			
LTR	ECO NO:	APPROVED:	DATE:



- NOTES: UNLESS OTHERWISE SPECIFIED
 1. ALL RESISTORS ARE IN OHMS, 1/8W, 1%.
 2. ALL CAPACITORS ARE IN MICROFARADS, 10%, 100V.
 PF DESIGNATES PICO FARADS.



PART NAME: RP10S	DIMENSION TOLERANCE	SCALE:	DWG NO:	PART NO:
		UNIT:	DRAWN BY: LUOHENG	DATE: 16/12/03
PRODUCT MODE:		SIZE:	CHECKED BY: LUOHENG	DATE: 04/07/31
		REV:	APPROVED BY:	DATE:
			V2.2	PAGE: 6 OF 6