

SAFETY CRITICAL COMPONENT
REPLACE ONLY WITH THE SAME
TYPE AND RATING

FPM PRODUCTS
COPYRIGHT EXISTS ON THIS DOCUMENT
IT MUST NOT BE USED FOR ANY PURPOSE
OTHER THAN THAT FOR WHICH IS WAS SUPPLIED
AND MUST NOT BE COPIED OR DISCLOSED
WITHOUT THE WRITTEN PERMISSION OF FPM PRODUCTS.

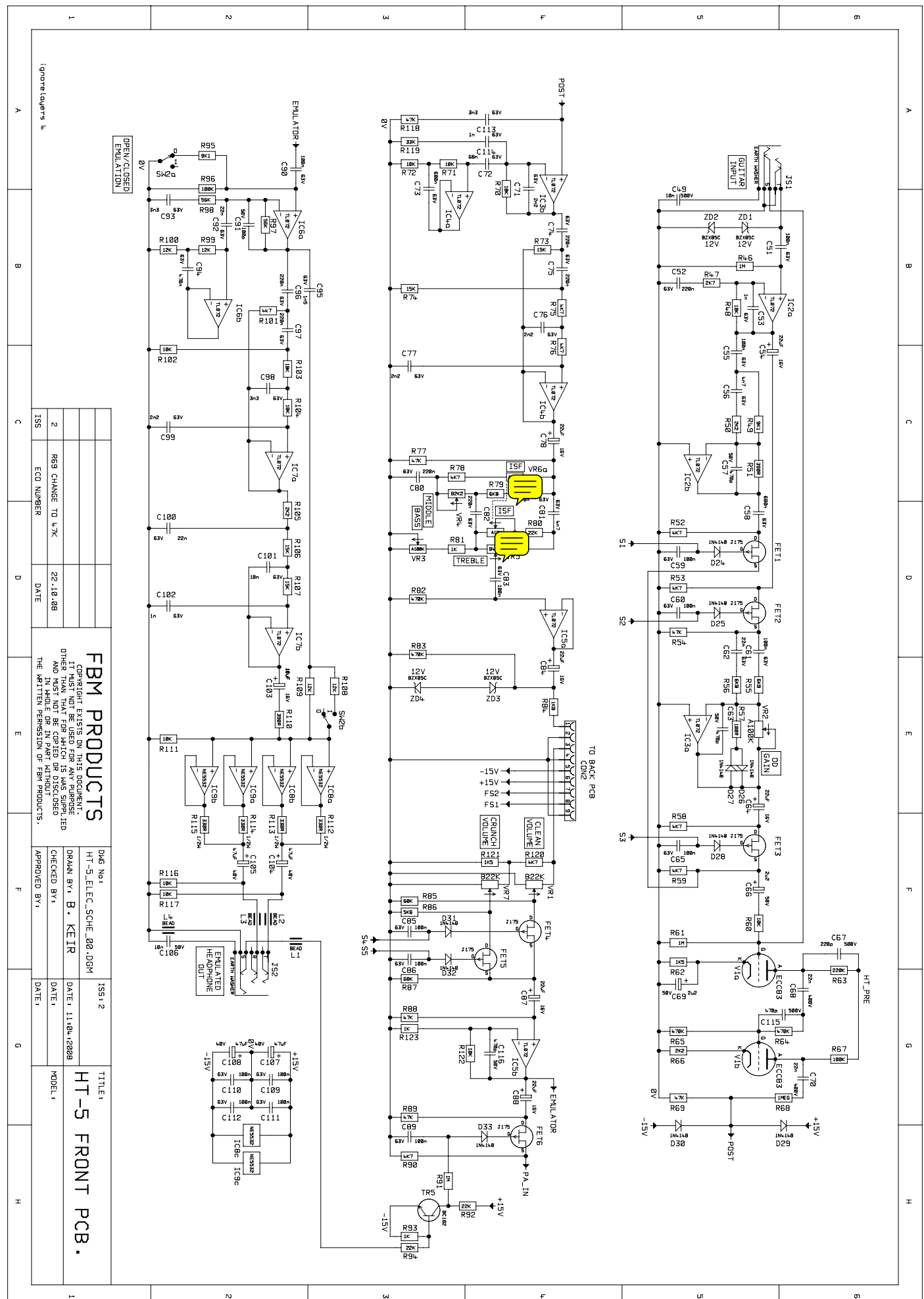
ISS # 2	DATE: 11-08-2008
DRMAN BY: B. KEIR	DATE:
CHECKED BY:	DATE:
APPROVED BY:	DATE:

TITLE: HT-5 FRONT PCB.

ISS # 2	DATE: 11-08-2008
DRMAN BY: B. KEIR	DATE:
CHECKED BY:	DATE:
APPROVED BY:	DATE:

Ignore layers 1

Ignore layers 1

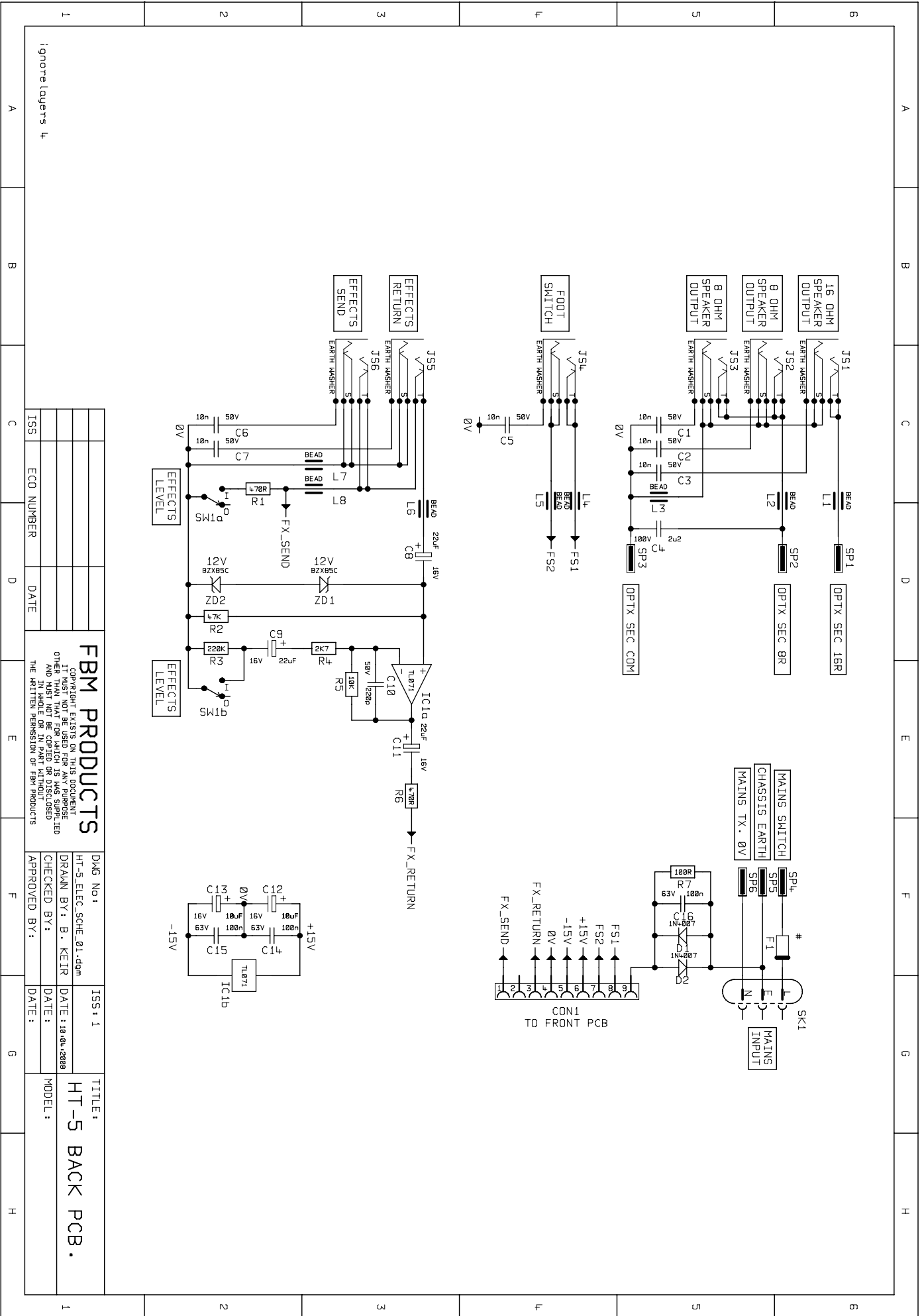


<p>FBM PRODUCTS</p> <p>Copyright exists on this document. IT MUST NOT BE USED FOR ANY PURPOSE OTHER THAN THAT FOR WHICH IS WAS SUPPLIED AND MUST NOT BE COPIED OR DISCLOSED WITHOUT THE WRITTEN PERMISSION OF FBM PRODUCTS.</p>	
DWG No.:	HT-5-ELEC.SCHE.00.DGM
DRAWN BY:	B. KEIR
CHECKED BY:	
DATE:	DATE:
APPROVED BY:	
DATE:	DATE:

<p>HT-5 FRONT PCB.</p>	
ISS: 2	DATE: 11/04/2008
MODEL:	

ignore layers 1, 2

1



ignore layers 14

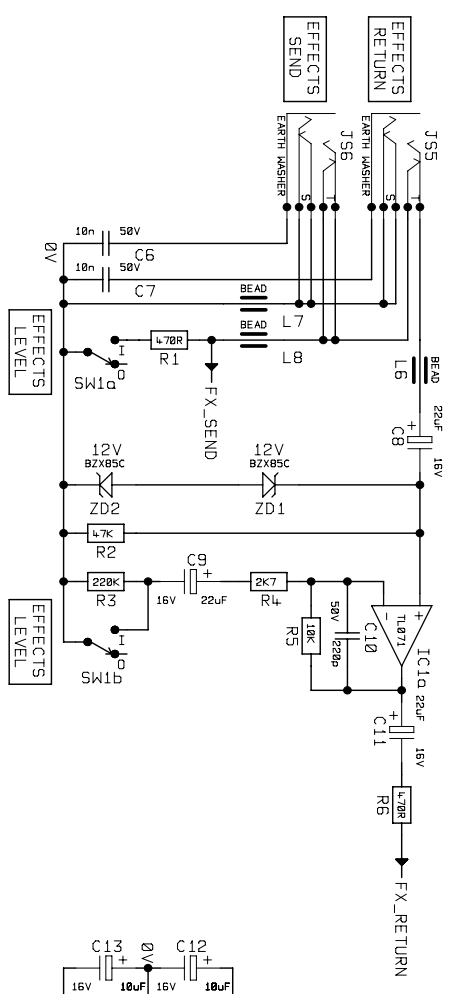
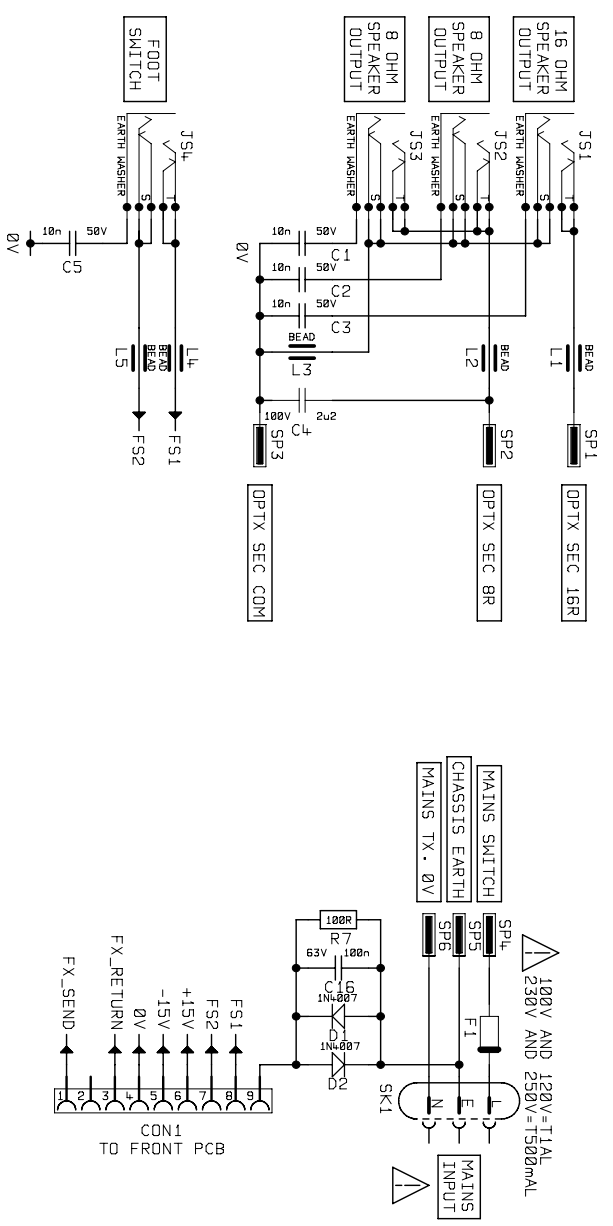
ISS	ECD NUMBER	DATE

FBM PRODUCTS
 COPYRIGHT EXISTS ON THIS DOCUMENT
 IT MUST NOT BE USED FOR ANY PURPOSES
 OTHER THAN AS SPECIFIED IN THIS DOCUMENT
 AND MUST NOT BE REPRODUCED OR
 TRANSMITTED IN ANY FORM OR BY ANY
 MEANS, ELECTRONIC OR MECHANICAL,
 INCLUDING PHOTOCOPYING, RECORDING,
 OR BY ANY INFORMATION STORAGE AND
 RETRIEVAL SYSTEM, WITHOUT THE
 WRITTEN PERMISSION OF FBM PRODUCTS

DMG No:	HT-5-ELEC.SCHE.01.dgn
DRAWN BY:	B. KEIR
CHECKED BY:	
APPROVED BY:	

ISS:	1
DATE:	10.04.2008
DATE:	
DATE:	

TITLE:
HT-5 BACK PCB.
 MODEL:



SAFETY CRITICAL COMPONENT
REPLACE ONLY WITH THE SAME
TYPE AND RATING

ISS		ECO NUMBER		DATE		DATE		DATE		DATE	
<p>FBM PRODUCTS</p> <p>COPYRIGHT EXISTS ON THIS DOCUMENT IT MUST NOT BE USED FOR ANY PURPOSE OTHER THAN THAT SPECIFICALLY AUTHORIZED BY FBM PRODUCTS AND MUST NOT BE REPRODUCED IN WHOLE OR IN PART WITHOUT THE WRITTEN PERMISSION OF FBM PRODUCTS</p>											
DMG No:		HT-5-ELEC-SCH-01.dwg		ISS: 1		TITLE:		HT-5 BACK PCB.			
DRAWN BY:		B. KEIR		DATE:		DATE:		DATE:			
CHECKED BY:		B. KEIR		DATE:		DATE:		DATE:			
APPROVED BY:		B. KEIR		DATE:		DATE:		DATE:			

Ignore layers L